



US005592811A

United States Patent [19]

[11] Patent Number: **5,592,811**

Dodge et al.

[45] Date of Patent: **Jan. 14, 1997**

[54] **METHOD AND APPARATUS FOR THE DESTRUCTION OF VOLATILE ORGANIC COMPOUNDS**

[75] Inventors: **Paul R. Dodge**, Mesa; **Robert S. McCarty**, Phoenix, both of Ariz.; **Doug Rogers**, Visalia; **Gail Rogers**, San Gabriel, both of Calif.

[73] Assignee: **AlliedSignal Inc.**, Morris Township, N.J.

[21] Appl. No.: **538,692**

[22] Filed: **Oct. 3, 1995**

[51] Int. Cl.⁶ **F02C 6/18; F02G 3/00**

[52] U.S. Cl. **60/39.02; 60/39.07; 60/39.27; 60/731; 60/733; 60/746; 60/760; 422/182; 431/5**

[58] **Field of Search** **60/731, 733, 746, 60/39.23, 39.27, 39.02, 39.12, 760; 422/182, 183; 431/5, 353, 352**

[56] References Cited

U.S. PATENT DOCUMENTS

2,718,753	9/1955	Bridgeman .	
2,718,755	9/1955	Heller .	
3,380,250	4/1968	Whatley .	
3,846,979	11/1974	Pfefferle	60/733
4,226,083	10/1980	Lewis et al .	
4,236,464	12/1980	Anderson et al.	431/5
4,292,801	10/1981	Wilkes et al .	
4,299,086	11/1981	Madgavkar et al. .	
4,339,924	7/1982	White et al. .	

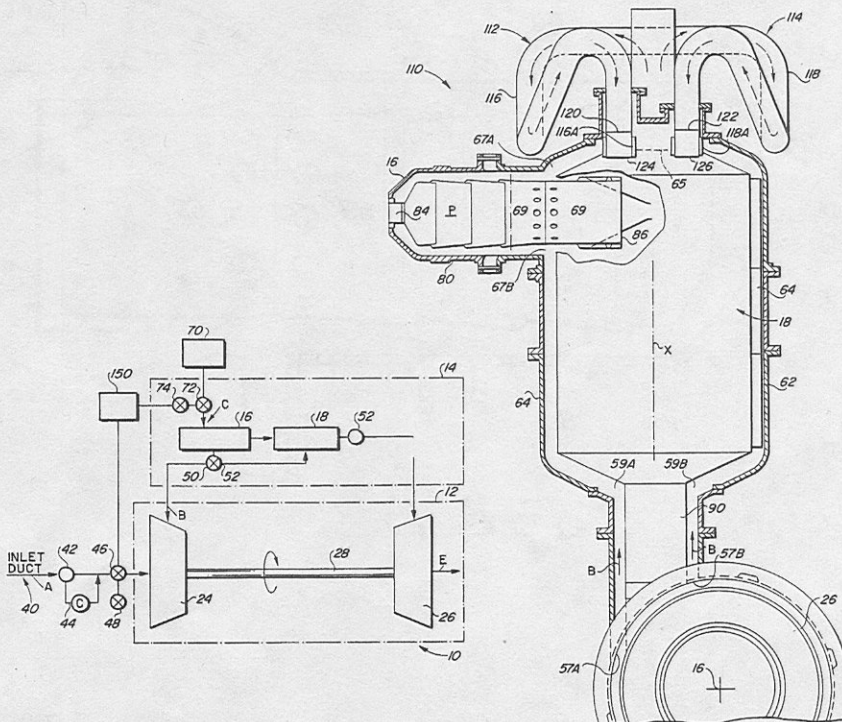
4,374,184	2/1993	Somers et al. .	
4,420,929	12/1983	Jorgensen et al. .	
4,458,481	7/1984	Ernst	60/760
4,550,563	11/1985	Marchand .	
4,702,073	10/1987	Melconian .	
4,820,594	4/1989	Sugita et al. .	
4,864,811	9/1989	Pfefferle .	
4,910,957	3/1990	Moreno et al. .	
4,974,530	12/1990	Lyon	431/5
5,070,700	12/1991	Mowill	60/746
5,108,717	4/1992	Deller et al.	422/182
5,237,812	8/1993	Mumford .	
5,307,621	5/1994	Glassman et al. .	
5,369,947	12/1994	Dummersdorf et al. .	
5,417,052	5/1995	Bharathan et al.	60/39.02

Primary Examiner—Charles G. Freay
Attorney, Agent, or Firm—James W. McFarland

[57] ABSTRACT

A system for the destruction of volatile organic compounds while generating power. In a preferred embodiment the system comprises a combustor and a reaction chamber connected to an exit of the combustor. A primary inlet to the combustor supplies a primary fuel to the combustor. A secondary fuel, comprising air and an amount of one or more volatile organic compounds, is supplied to a compressor, which compresses the secondary fuel and directs the secondary fuel to the combustor and the reaction chamber. The system is suitably configured to enable the stoichiometric reaction of the two fuels in a manner sufficient to destroy the volatile organic compounds contained in the secondary fuel and power a turbine engine connected to an exit of the reaction chamber.

17 Claims, 5 Drawing Sheets



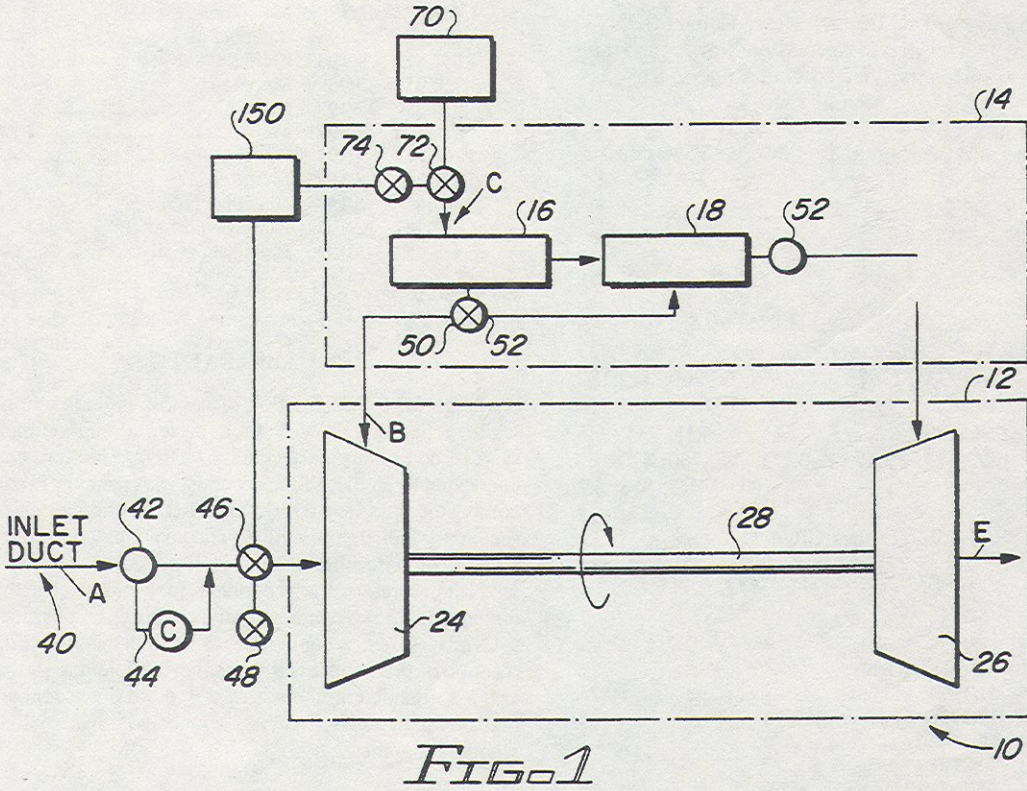


FIG. 1

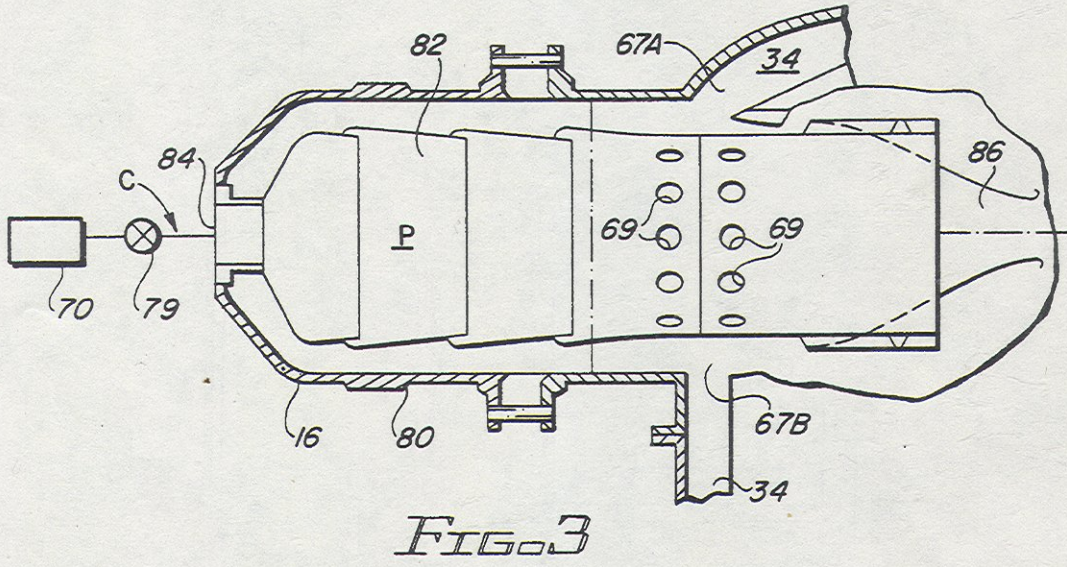


FIG. 3

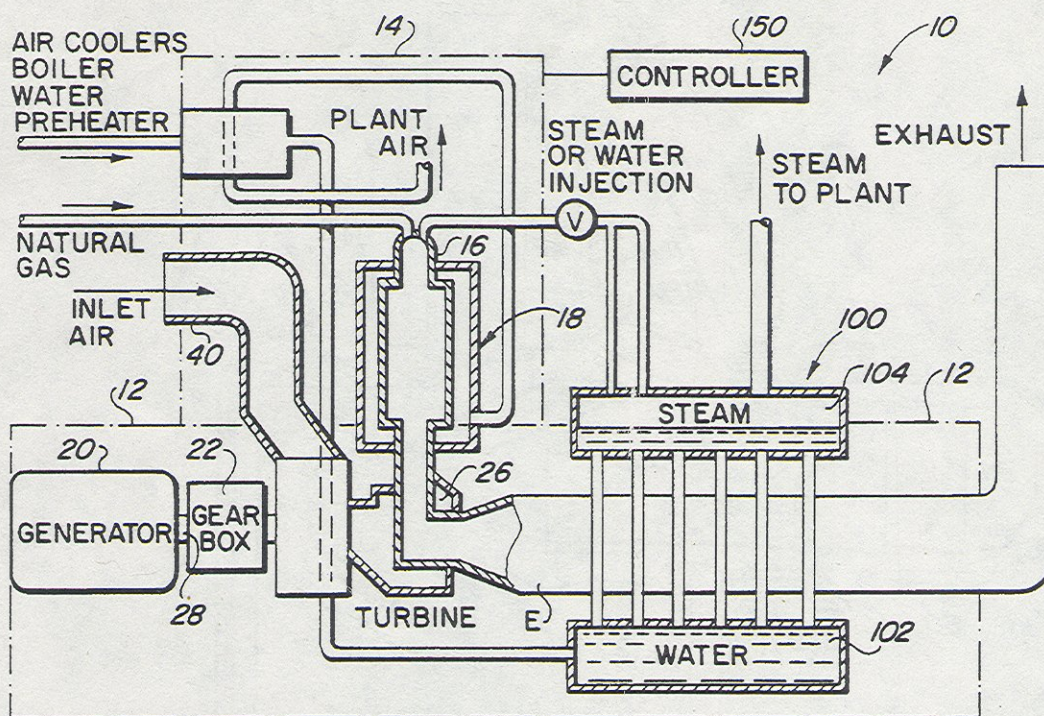


FIG. 2

FIG. 6

