

yy y 0go r q/hqco 0go

8

7

6

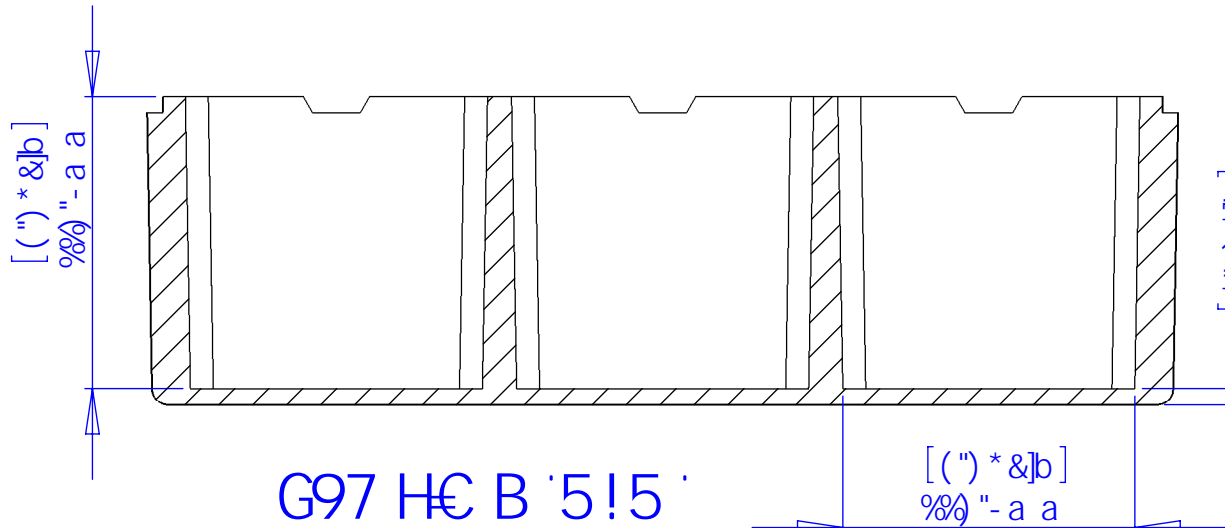
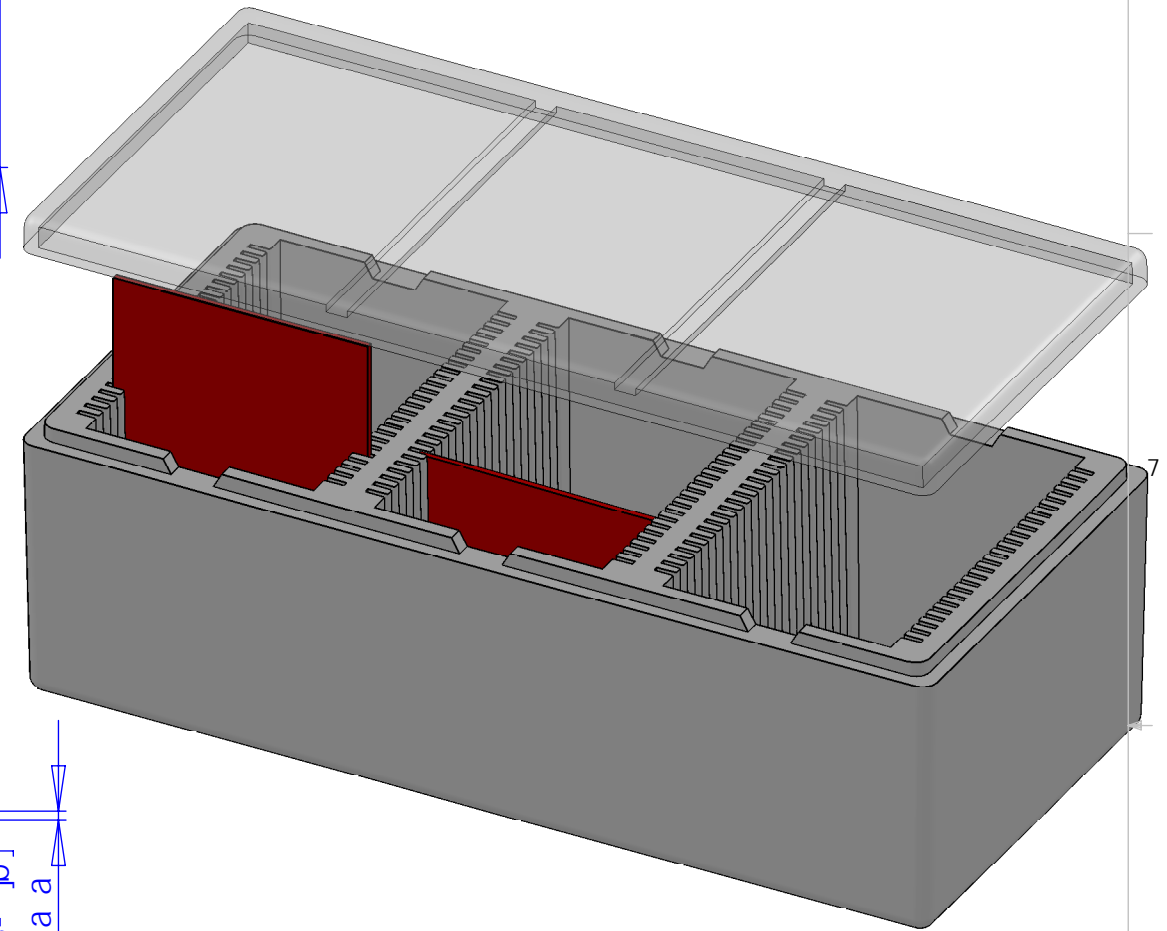
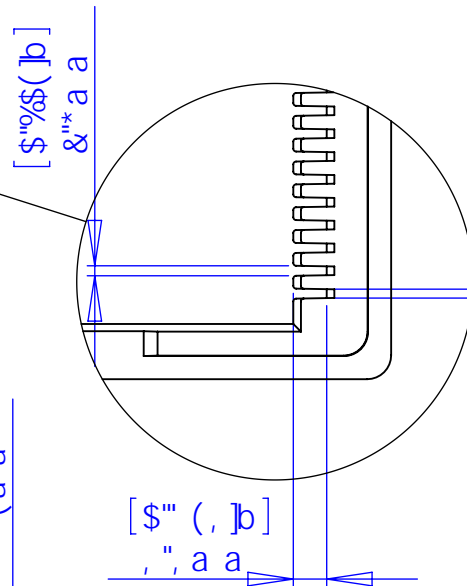
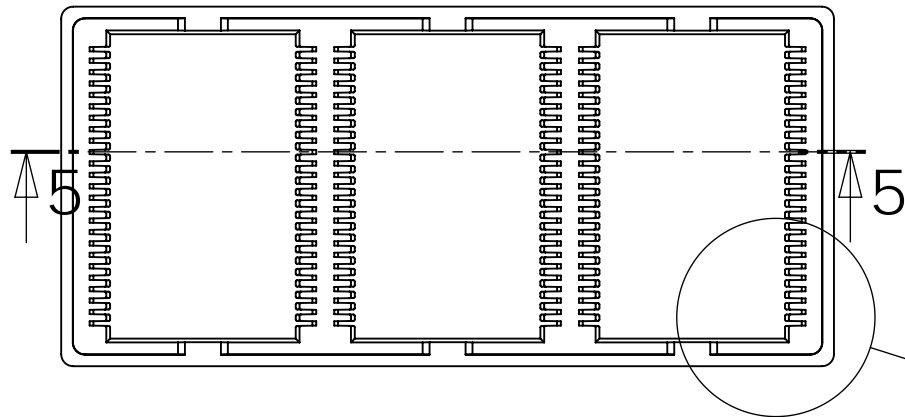
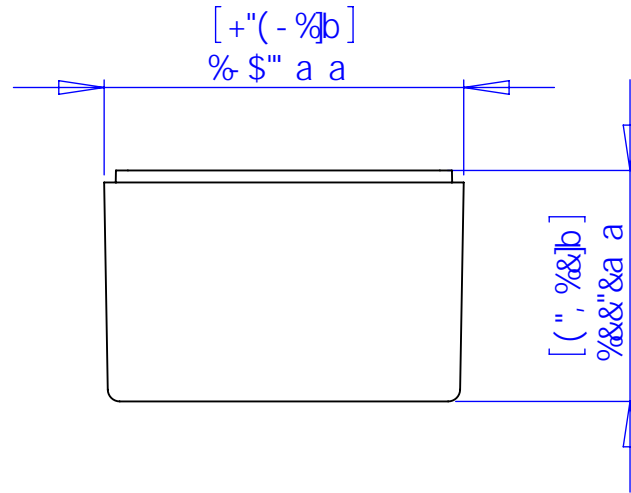
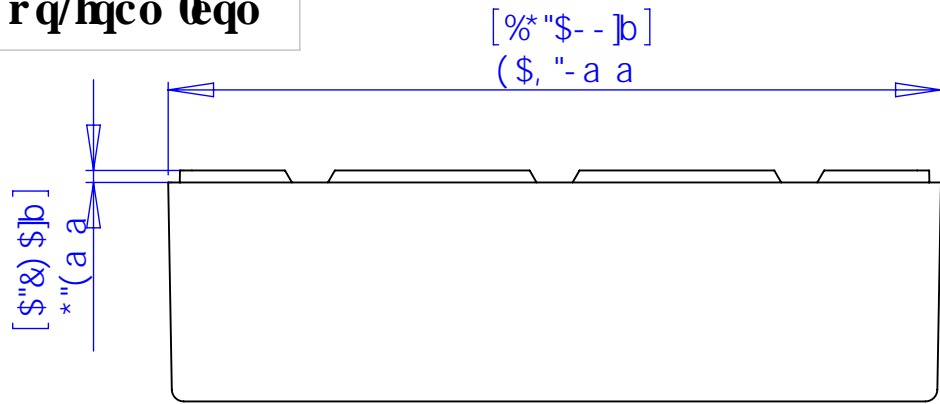
5

8

7

6

5



8 9H5 @6'
G7 5 @9%.' &

G97 HC B '5!5'
G7 5 @9%.' "

BchY.

%&'A UHYf]U`Hc`VY`* ([#`
XYbg]mf("\$`V#h k'9DG
&k'%8Y[fYY`8fUZiHMD
' k:]`YhfUX]i g`bchW]h]W]

DFCDE-5FM5B87CB: 89BHE@
H:9 B: CFA 5HC B 7 CBH5 B98 -B k-6
8F5K B: -GH:9GC @DFC.D9FMC:
Vgo r q'Rrcule'E q0'kpe0 5BM
F9DFC8I 7HC B -B D5FHCF 5G5 K <C @
K H:C I HH:9K FHH9B D9FA GGC B C:
Vgo r q'Rrcule'E q0'kpe0 G
DFC <6+98"

B9LH5GGM	I G98 C B	5DD@7 5HC B	8C BC HG7 5 @98F5K B:
----------	-----------	-------------	-----------------------

I B @GGC H:9FK @9 GD97 @98.	B5A 9	85H9	Vgo r q'Rrcule'E q0'kpe0
8 A 98GC BG5F9 B -B7 <9G HC @F5B7 9G : F57 HC B5 @± 5B: I @5F: A 57 <±.....69B 8 ± K C D @57 9897 -A 5 @± H: F99D @57 9897 -A 5 @±	8F5K B	>F<	
BHFDF9H: 9CA 9H 7 HC @F5B7 B: D9F.	7 <97 ?98		
A 5HF 5 @	9B: '5DDF"		
	A: : '5DDF"		
	E "5"		
	7 C A A 98HG		
			G A 9 8K ; ""BC "
			F 9J
			G7 5 @9% (
			G <99H% C : %