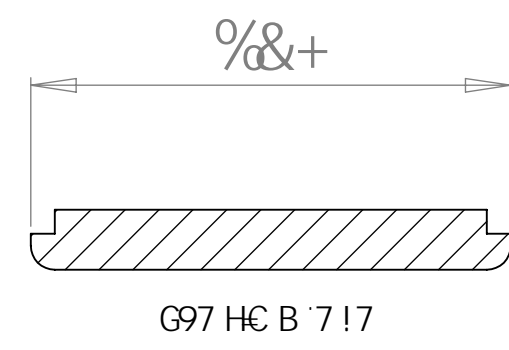
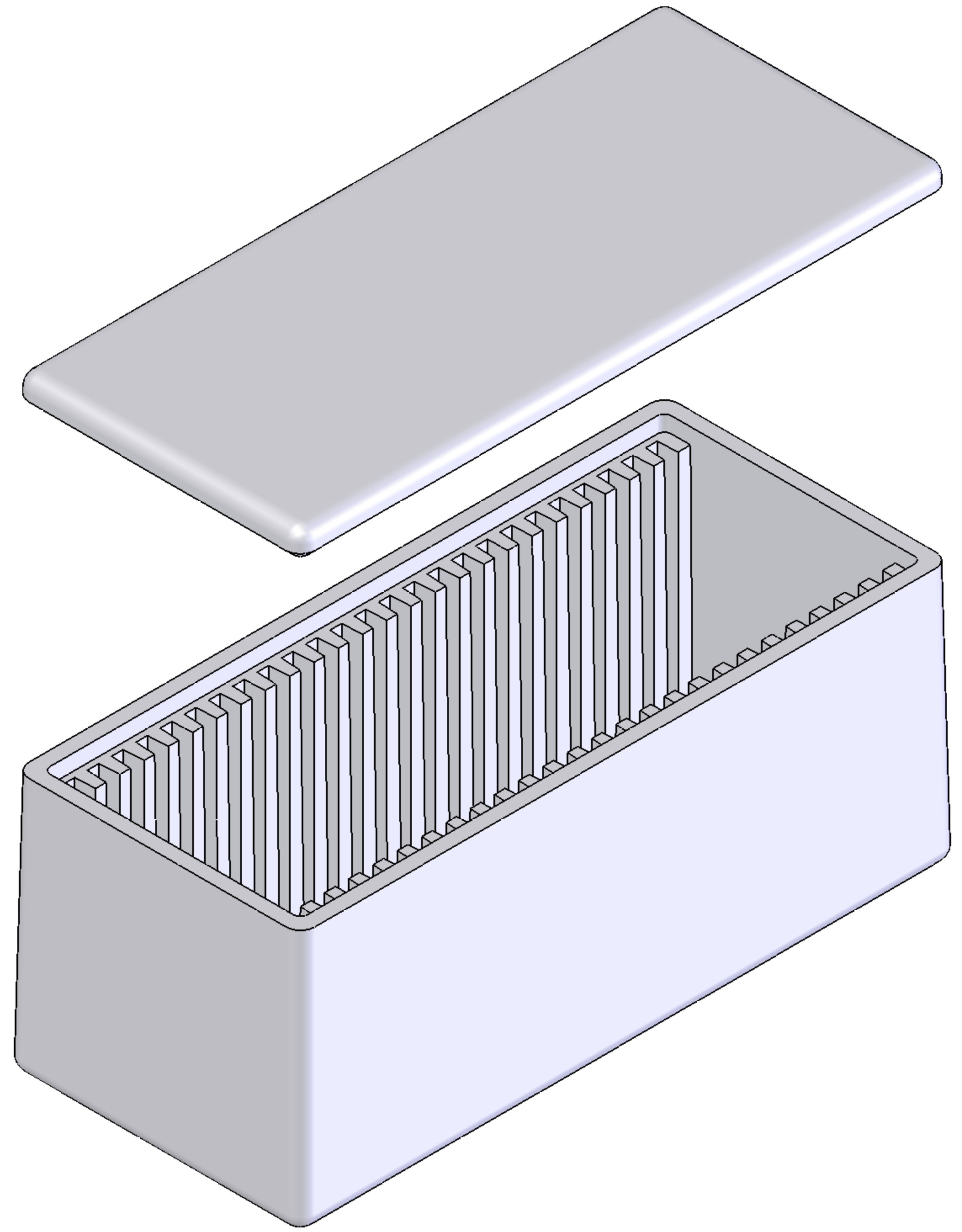
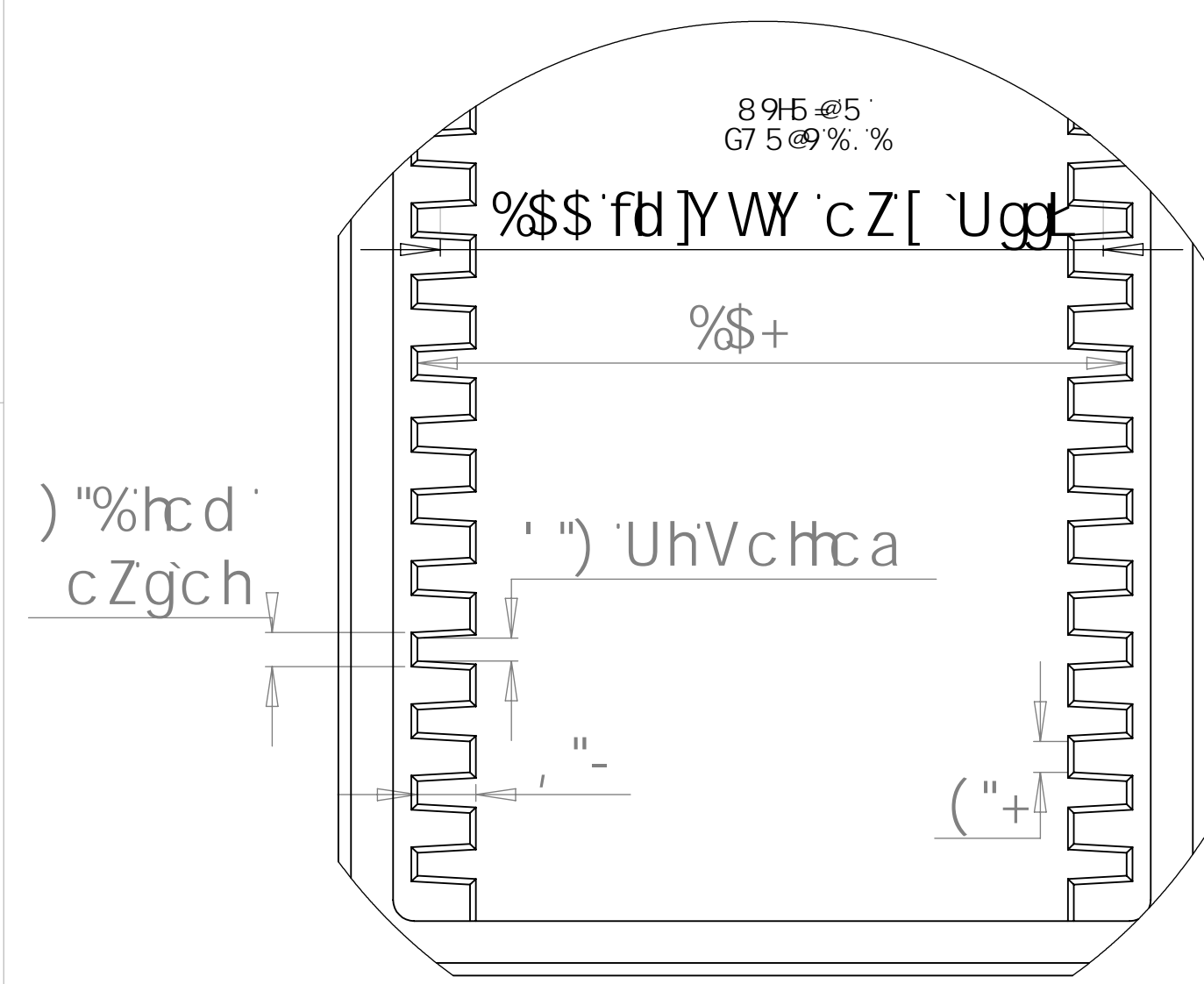


G97 HC B '616



G97 HC B '717



BchY.

%&A UHY f]U`Hc`VY`\* ([ #`XYbg]mf("\$`V`#Zi`E`9DGz  
 ....\`G`f]b\_U[ Y`]g`"%&a`a`dYf`&)"(a`a  
 &E`C`d`h`c`b`U`a`U`H`Y`f]U`\*`([ #`X`Y`b`g]m`9D9z  
 ....\`G`f]b\_U[ Y`]g`"+) a`a`d`Y`f`&)"(a`a`z`b`W`i`X`Y`X`]b`X`Y`g]`b  
 ' E`%`8`Y`[`f`Y`Y`Y`i`h`Y`f]c`f`z`%`#`&`8`Y`[`f`Y`Y`b`h`Y`f]c`f`8`f`U`Z`i`H`M`D

DFC DF 95FM5B8 7 CB: 89BH5@

Hk 9 B: C FA 5HC B 7 C BH5 B98 B Hk 6  
 8F5K B: G Hk 9 CC @DFC D9FHC:  
 H'a dc D'Ug W7 c" bW 5BM  
 F9DFC 8I 7HC B B D5FHC F 5G5 K <C @  
 K Hk C I Hk 9 K F H9B D9FA GGC B C:  
 H'a dc D'Ug W7 c" bW 6  
 DFC < 6+98"

I BAKCC H 9K @DZ97 + 9B		B5A 9	851P	Vgo r q'Rrcuve'Eq.'Kpe0
B4 90C BCS19 B A]b YWg	8F5K B	: b]f" #5		HH9.
IC 9F5B 7 9C	7<9798	: b]f" #5		
F57HC B5 9b	9B: 500F"	: b]f" #5		
SB: 1 9B1 A 512 2 998B +	A:: 500F"			
K C D87 9897 A 5# 2	E 5"			
H F99DB 7 9897 A 5# 2				
BHEDFH: 9C A 9F7				
IC 9F5B 7 9C				
A 519F 6#				
B9LH5GM	1 098 CB	%&+ B "A ]YfDUf_7 h		GAP BK: "BC"
		J ]UJZ75`-`&- %		FQJ
				8
				5
				G7 5 @9. % &
				G-99H9C: %