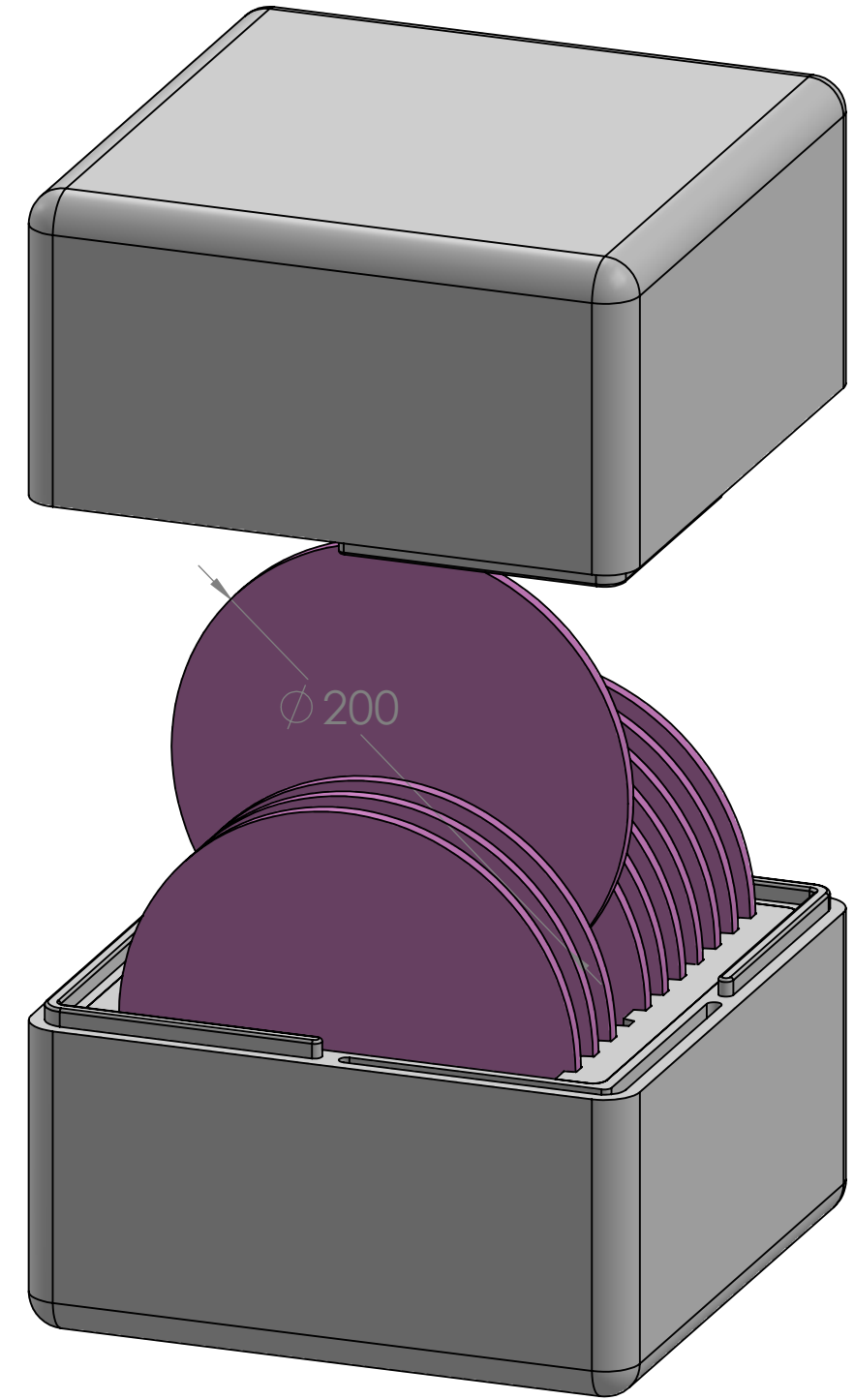
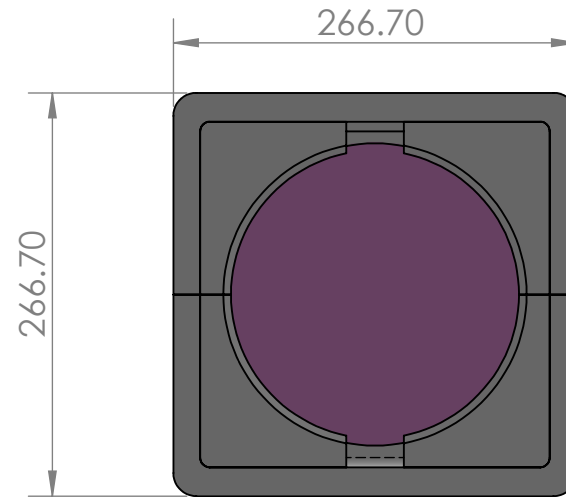
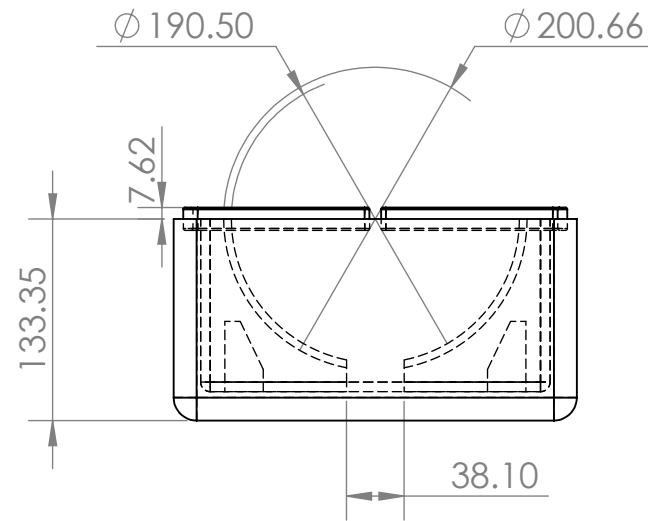


DETAIL A
SCALE 2:1



Note:

- 1) Material To be 64g/l density (4.0 lb/ft³) EPS, Static Dissipative
- 2) 1 Degree Draft TYP
- 3) Dimensions shown in millimeters

PROPRIETARY AND CONFIDENTIAL
THE INFORMATION CONTAINED IN THIS DRAWING IS THE SOLE PROPERTY OF Tempo Plastic Co., Inc. ANY REPRODUCTION IN PART OR AS A WHOLE WITHOUT THE WRITTEN PERMISSION OF Tempo Plastic Co., Inc. IS PROHIBITED.

		UNLESS OTHERWISE SPECIFIED:		NAME	DATE	Tempo Plastic Co., Inc.	
		DIMENSIONS ARE IN MILLIMETERS		DRAWN	MD		
		TOLERANCES:		CHECKED			TITLE: TPC390 11R-7875
		FRACTIONAL ±		ENG APPR.			
		ANGULAR: MACH ± BEND ±		MFG APPR.			
		TWO PLACE DECIMAL ±		Q.A.			SIZE DWG. NO. REV
		THREE PLACE DECIMAL ±		COMMENTS:			
		INTERPRET GEOMETRIC TOLERANCING PER:					SCALE: 1:5.5 SHEET 1 OF 1
		MATERIAL					
NEXT ASSY	USED ON	FINISH					
APPLICATION		DO NOT SCALE DRAWING					