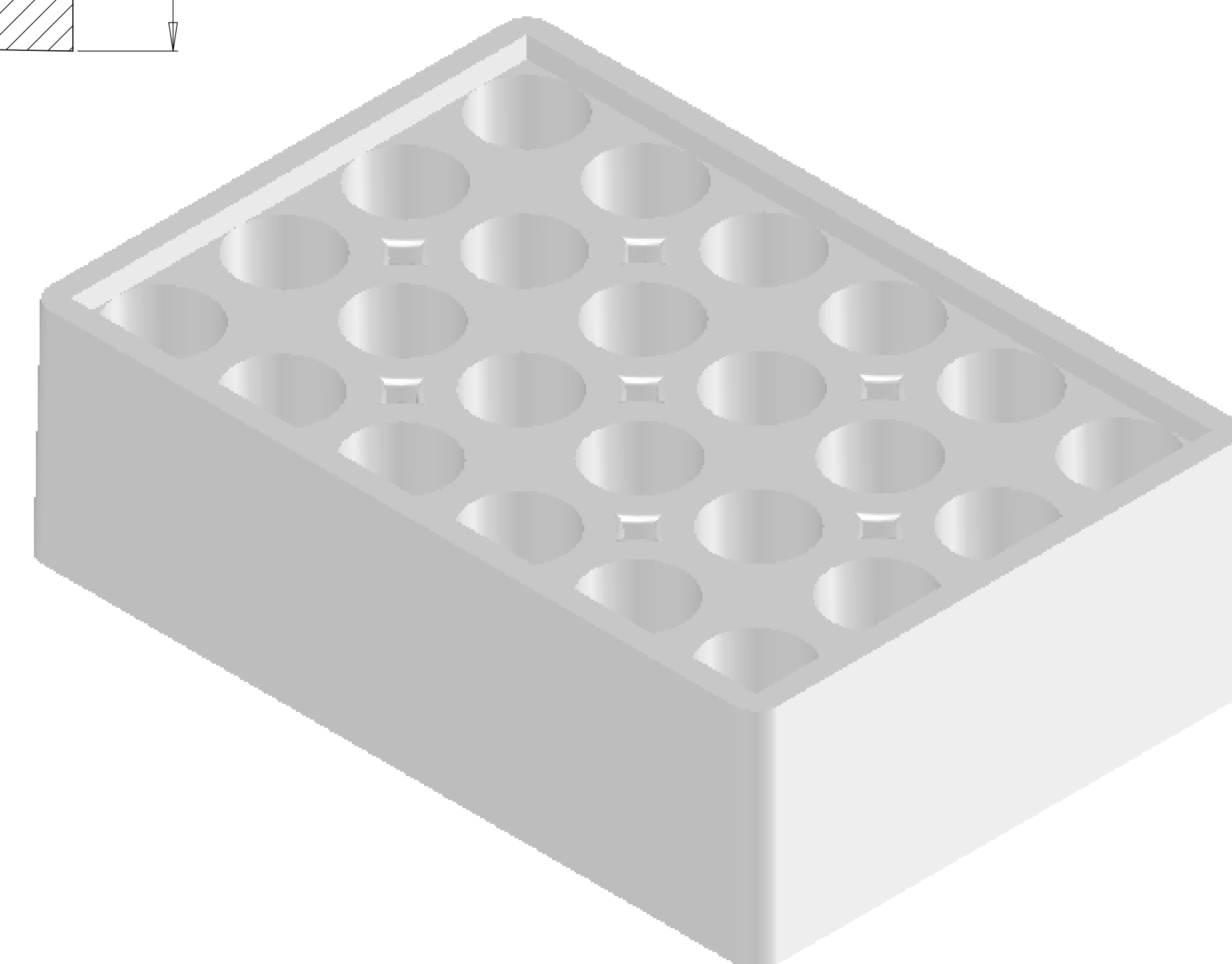
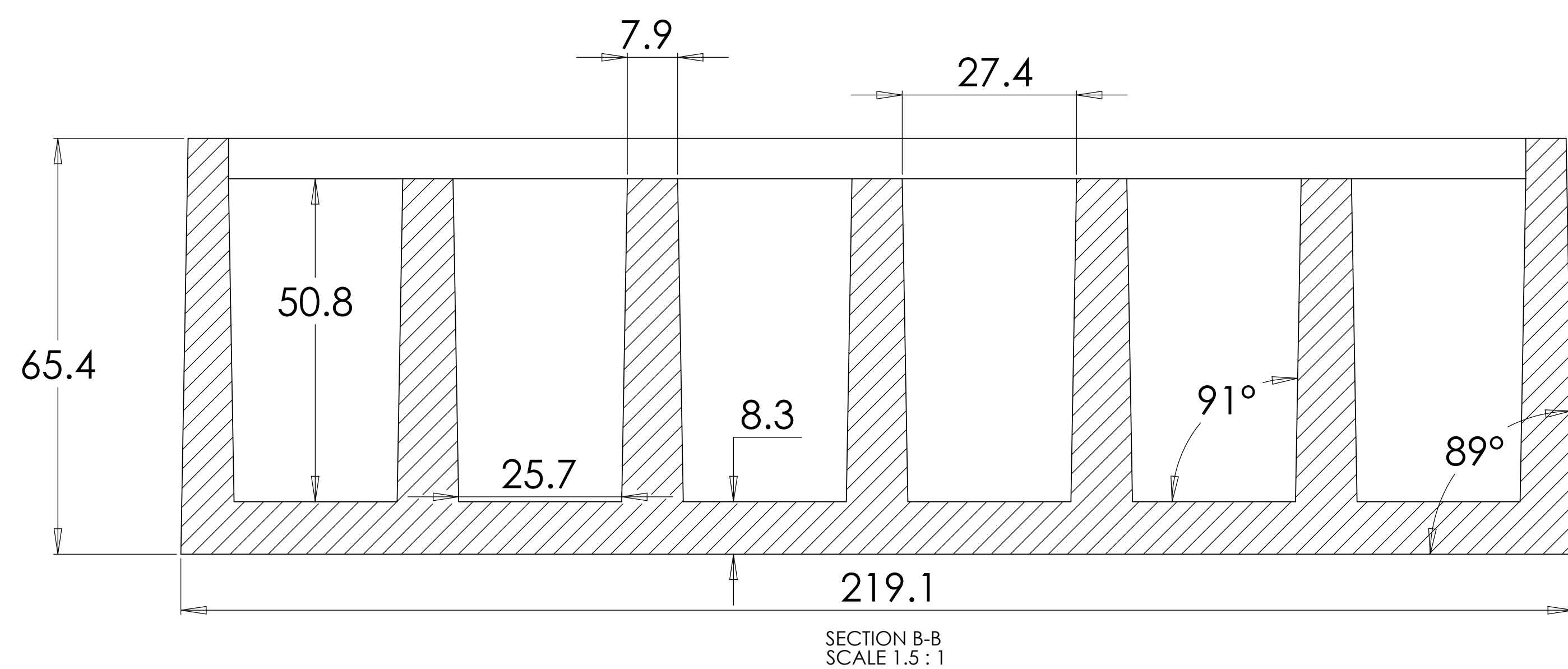


Note:

- 1) Material To be 64g/l density (4.0 lb/ft³) EPS
- 2) 1 Degree Draft TYP
- 3) Volume = 77.2 cubic inches



PROPRIETARY AND CONFIDENTIAL
 THE INFORMATION CONTAINED IN THIS DRAWING IS THE SOLE PROPERTY OF Tempo Plazic Co. Inc. ANY REPRODUCTION IN PART OR AS A WHOLE WITHOUT THE WRITTEN PERMISSION OF Tempo Plazic Co. Inc. IS PROHIBITED.

UNLESS OTHERWISE SPECIFIED:		NAME	DATE
DRAWN	CUCURON		8/18/05
CHECKED			
ENG APPR.			
MFG APPR.			
INTERPRET GEOMETRIC TOLERANCING PER:		Q.A.	
MATERIAL		COMMENTS:	
NEXT ASSY	USED ON	FINISH	
APPLICATION			

TITLE:		
A10ml		
SIZE	DWG. NO.	REV
D	1	
SCALE: 1.5:1		SHEET 1 OF 1