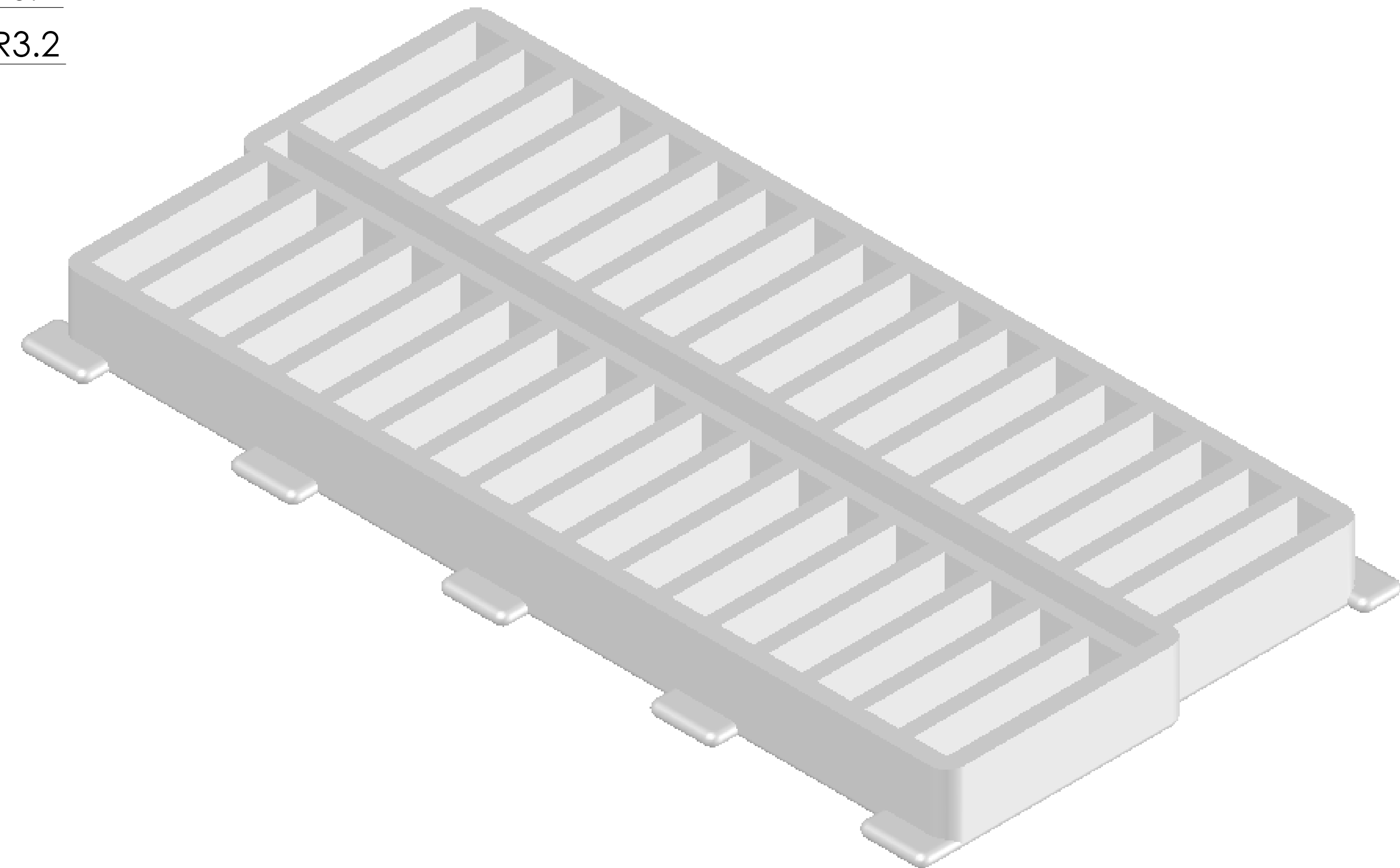
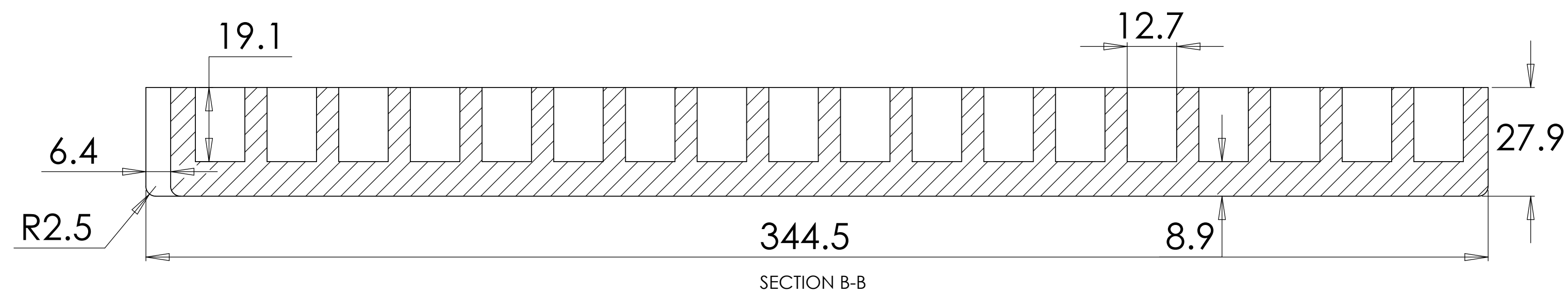


Note:

- 1) Material To be 64g/l density (4.0 lb/ft<sup>3</sup>) EPS
- 2) 1 Degree Draft TYP
- 3) Volume = 57.0 cubic inches



**PROPRIETARY AND CONFIDENTIAL**  
 THE INFORMATION CONTAINED IN THIS DRAWING IS THE SOLE PROPERTY OF Tempo Plastics Co. Inc. ANY REPRODUCTION IN PART OR AS A WHOLE WITHOUT THE WRITTEN PERMISSION OF Tempo Plastics Co. Inc. IS PROHIBITED.

UNLESS OTHERWISE SPECIFIED:		NAME	DATE	TITLE:
DIMENSIONS ARE IN Millimeters		Cucaron	8/11/05	
TOLERANCES:		DRAWN		SIZE DWG. NO.
FRACTIONAL ±		CHECKED		
ANGULAR MATCH ±		ENG APPR:		REV
BEND ±		MFG APPR:		
TWO PLACE DECIMAL ±		Q.A.		
THREE PLACE DECIMAL ±		COMMENTS:		
INTERPRET GEOMETRIC TOLERANCING PER:				
MATERIAL:				
NEXT ASSY	USED ON	FINISH		
APPLICATION				