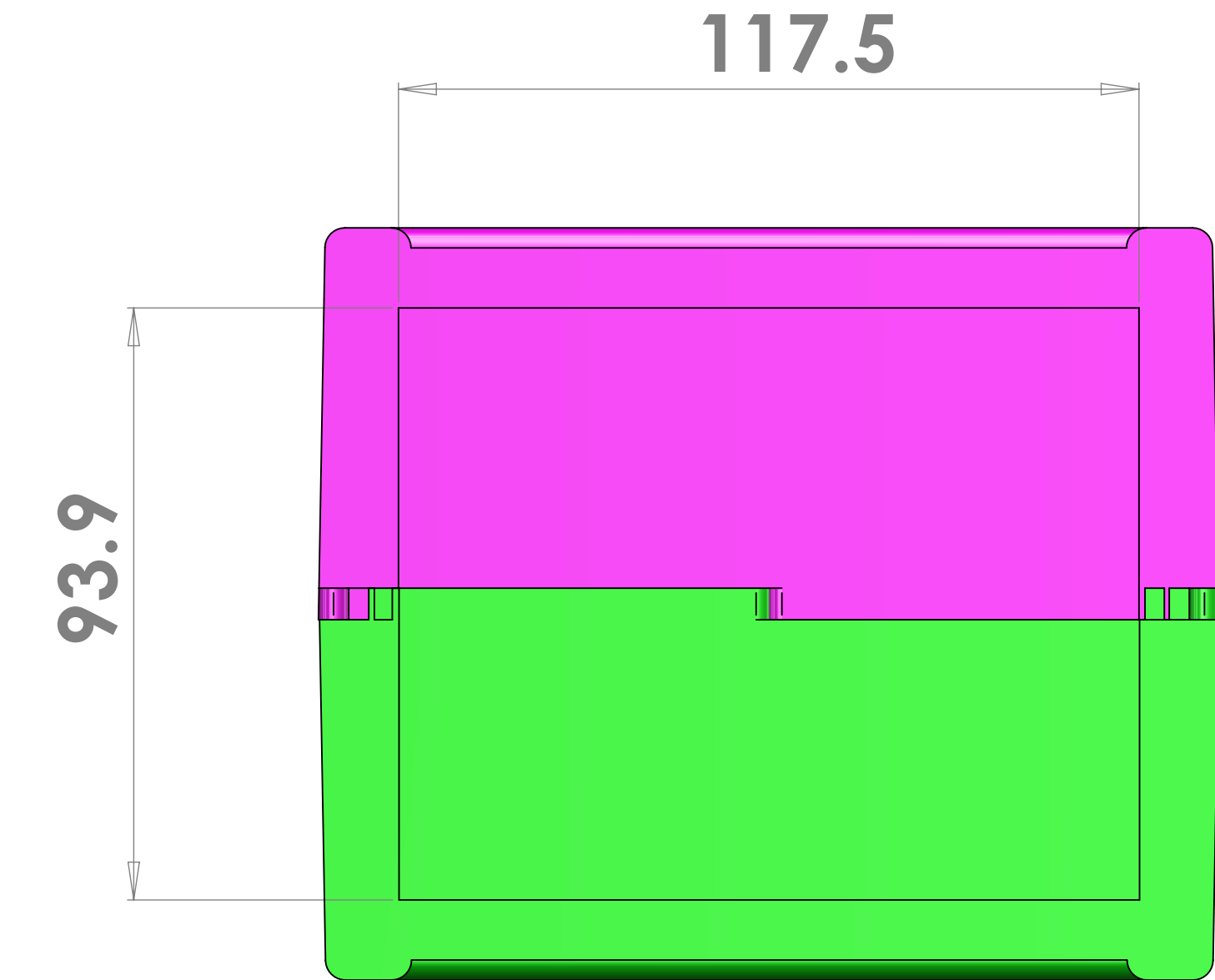
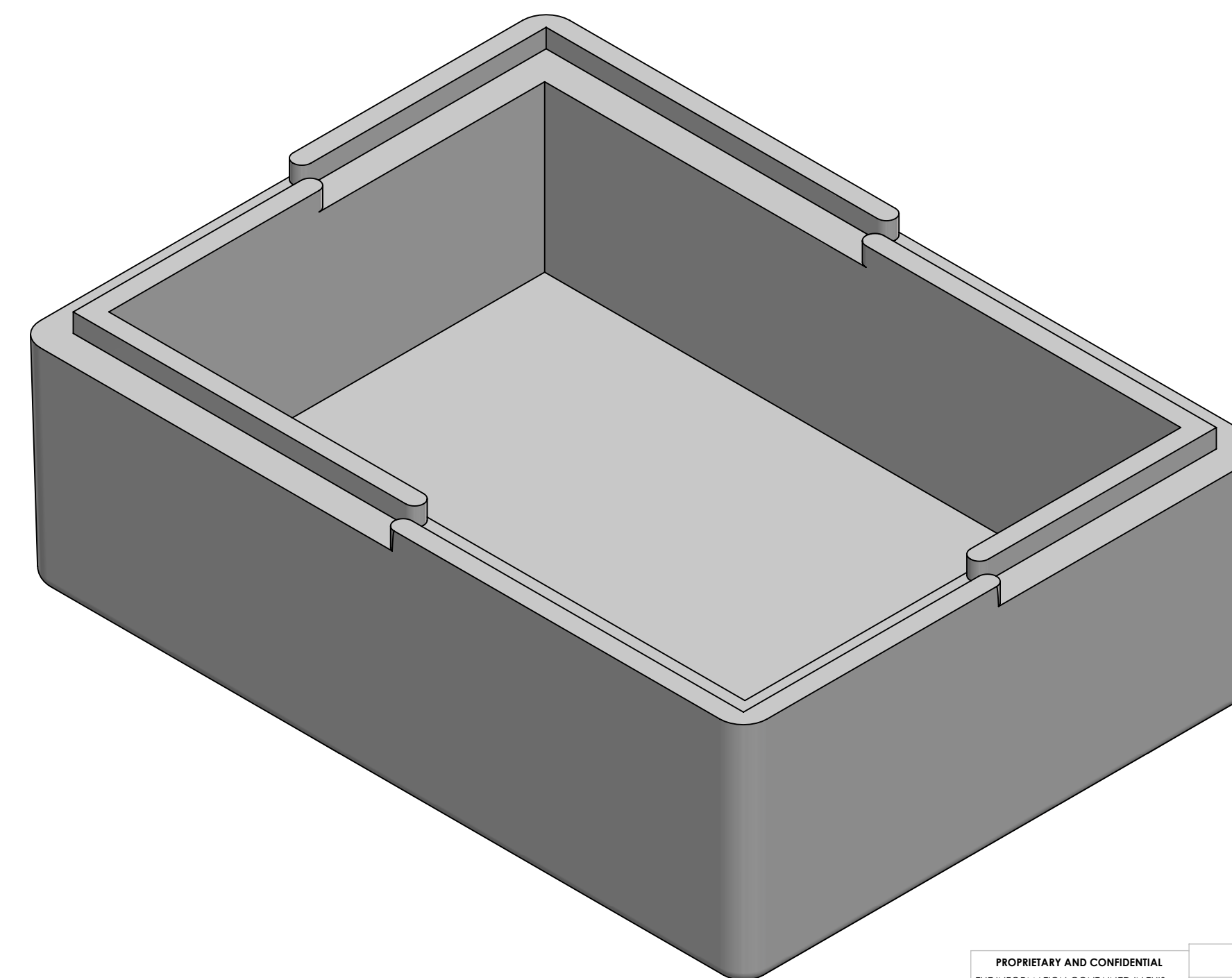
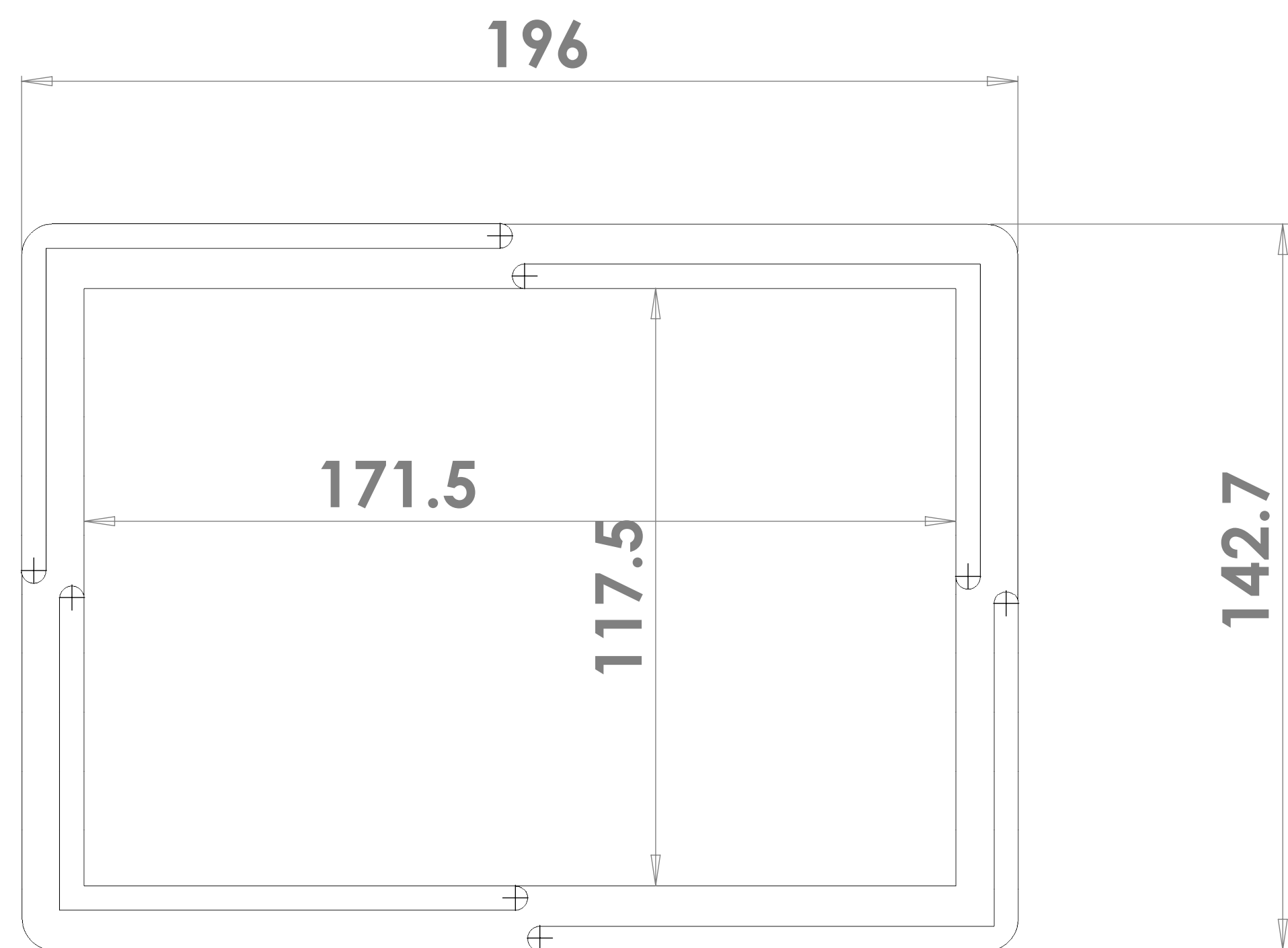


9.5 Typical Wall thickness

- NOTE:**
- 1) Material to be 64g/l Density (4.0 lb/ft³) Static Dissipative EPS
 - 2) 1 Degree Draft TYP
 - 3) Dimension Shown are in Millimeters



171.5 x 117.5 x 93.9
Internal dimensions



PROPRIETARY AND CONFIDENTIAL
THE INFORMATION CONTAINED IN THIS DRAWING IS THE SOLE PROPERTY OF Tempo Plastic Co., Inc. ANY REPRODUCTION IN PART OR AS A WHOLE WITHOUT THE WRITTEN PERMISSION OF Tempo Plastic Co., Inc. IS PROHIBITED.

APPLICATION	USED ON	FINISH

UNLESS OTHERWISE SPECIFIED:		NAME	DATE
DRAWN	DIMENSIONS ARE IN Millimeters	Junior	7/13/05
CHECKED	TOLERANCES:		
ENG APPR.	FRACTIONAL ±		
MFG APPR.	ANGULAR MATCH ±		
	BEND ±		
	TWO PLACE DECIMAL ±		
	THREE PLACE DECIMAL ±		
	INTERPRET GEOMETRIC TOLERANCING PER:		
	MATERIAL		
	Q.A.		
	COMMENTS:		

Tempo Plastic Co., Inc.		REV
TITLE: TPC561		A
SIZE	DWG. NO.	
D		
SCALE: 1:1		SHEET 1 OF 1

REV
D TPC561