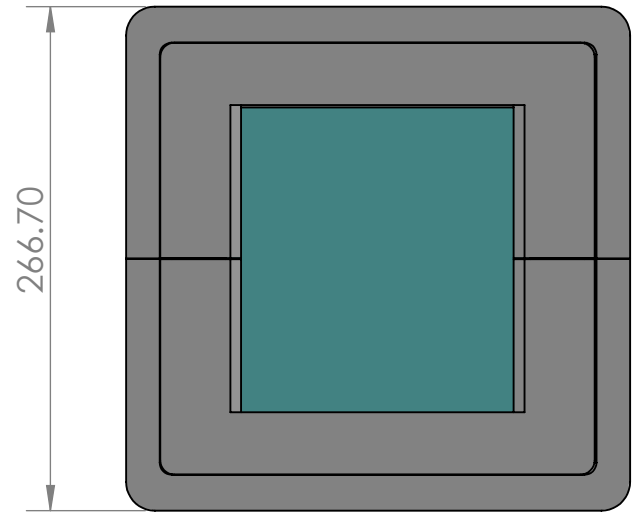
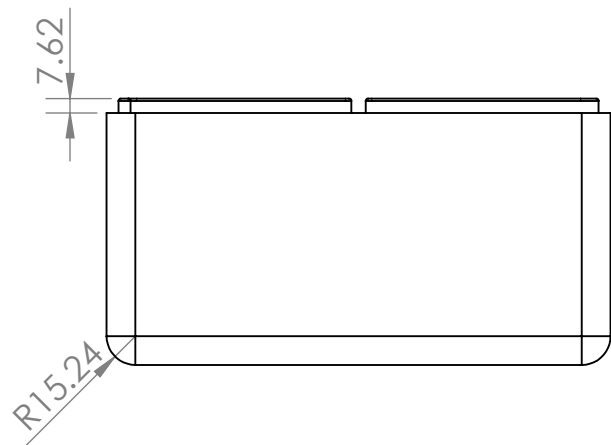
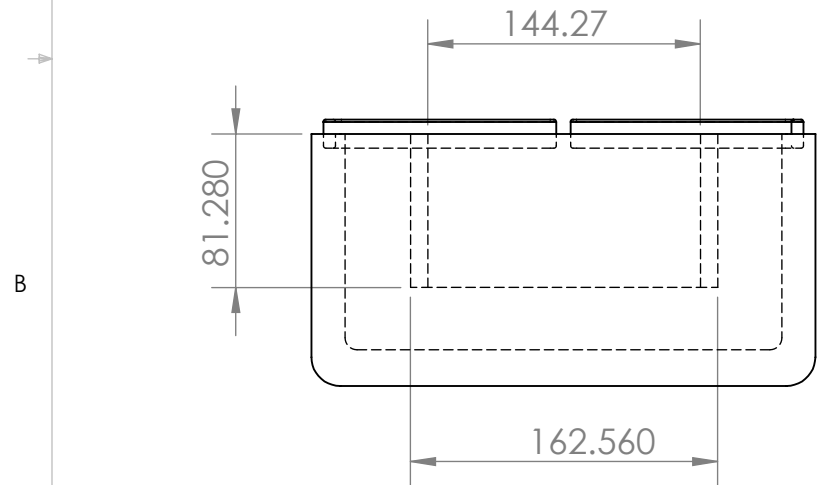
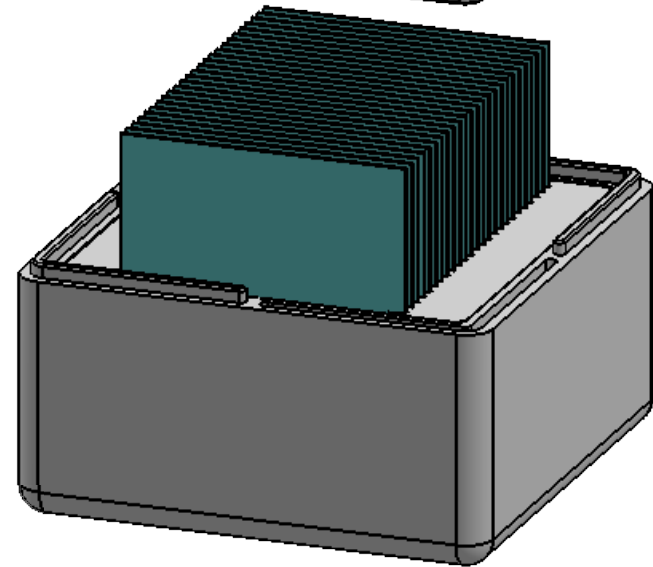
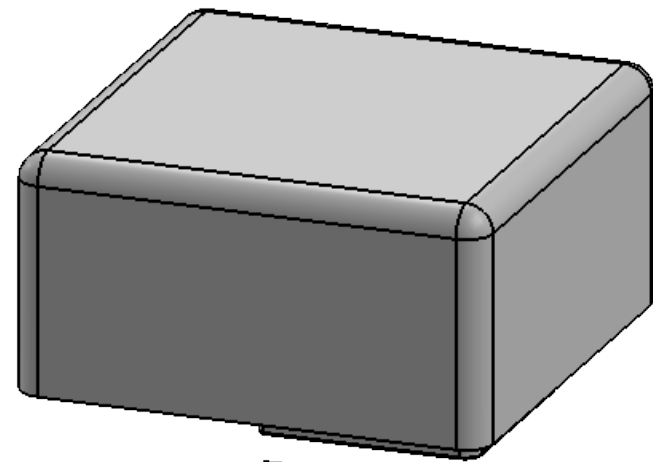


DETAIL A  
SCALE 1.5 : 1



- Note:**
- 1) Material To be 64g/l density (4.0 lb/ft<sup>3</sup>) EPS, Static Dissipative
  - 2) 1 Degree Draft TYP
  - 3) Dimensions shown are in millimeters

**PROPRIETARY AND CONFIDENTIAL**  
THE INFORMATION CONTAINED IN THIS DRAWING IS THE SOLE PROPERTY OF Tempo Plastic Co., Inc. ANY REPRODUCTION IN PART OR AS A WHOLE WITHOUT THE WRITTEN PERMISSION OF Tempo Plastic Co., Inc. IS PROHIBITED.

		UNLESS OTHERWISE SPECIFIED:		NAME	DATE	<b>Tempo Plastic Co., Inc.</b>	
		DIMENSIONS ARE IN Millimeters		DRAWN	MD	3/25/2017	TITLE:
		TOLERANCES:		CHECKED			<b>25S-6350</b>
		FRACTIONAL ±		ENG APPR.			SIZE
		ANGULAR: MACH ± BEND ±		MFG APPR.			DWG. NO.
		TWO PLACE DECIMAL ±		Q.A.			REV
		THREE PLACE DECIMAL ±		COMMENTS:			
		INTERPRET GEOMETRIC TOLERANCING PER:					
		MATERIAL					
NEXT ASSY		USED ON					
APPLICATION		DO NOT SCALE DRAWING					
				SCALE: 4		SHEET 1 OF 1	