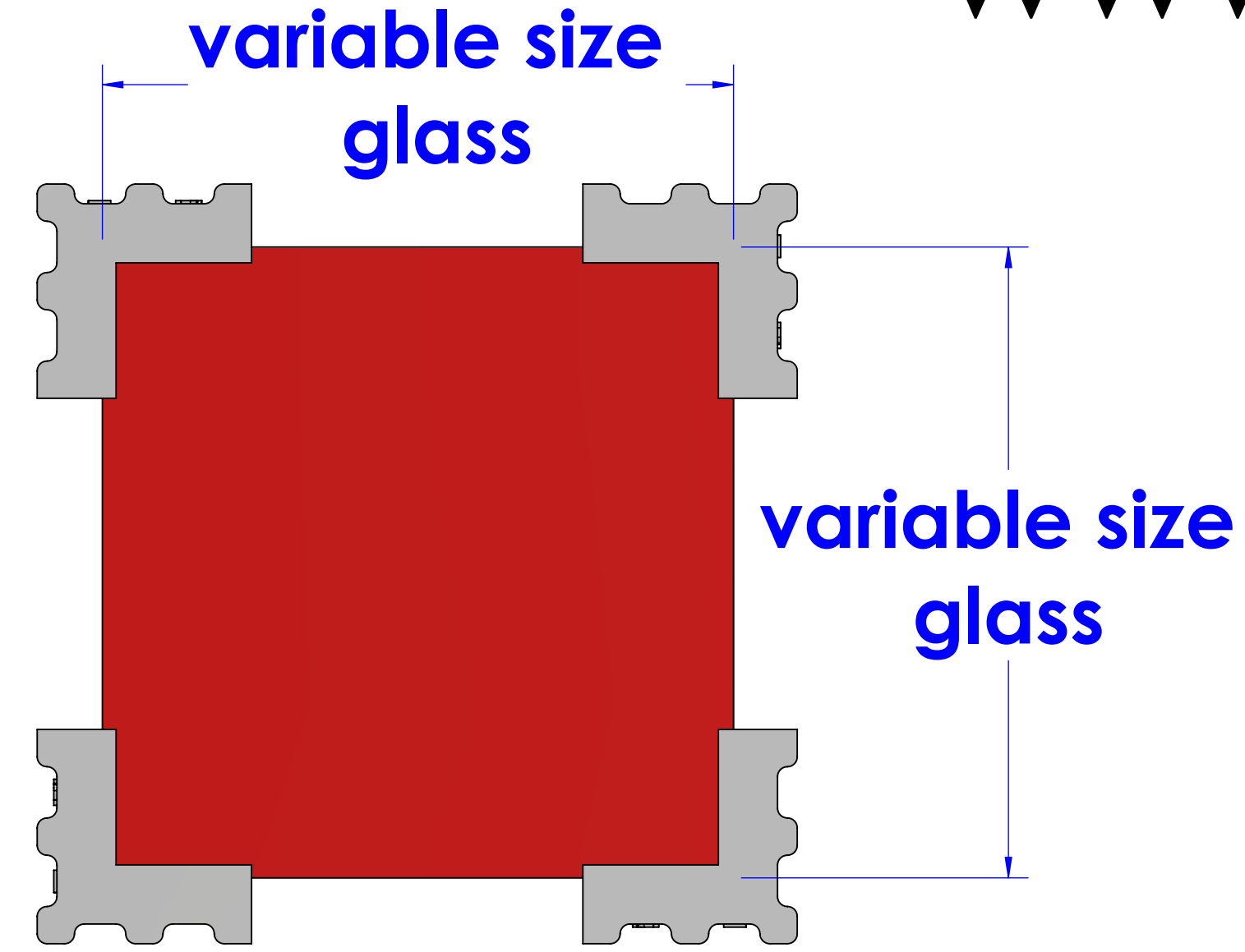
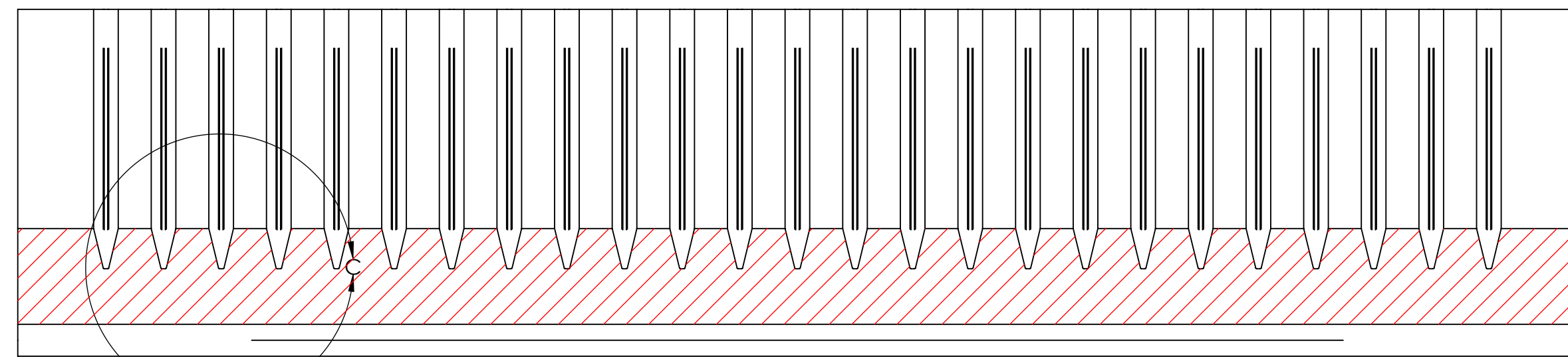


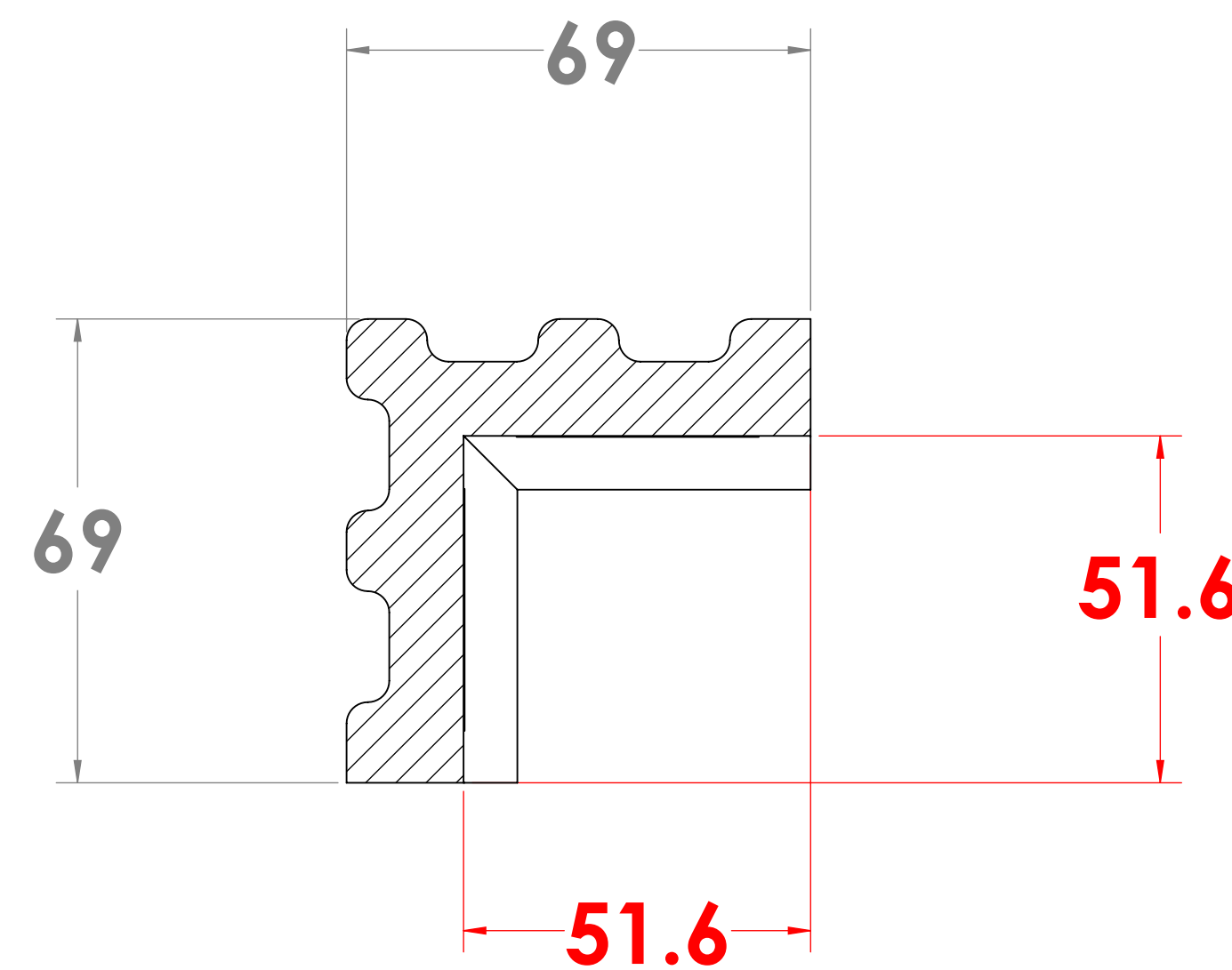
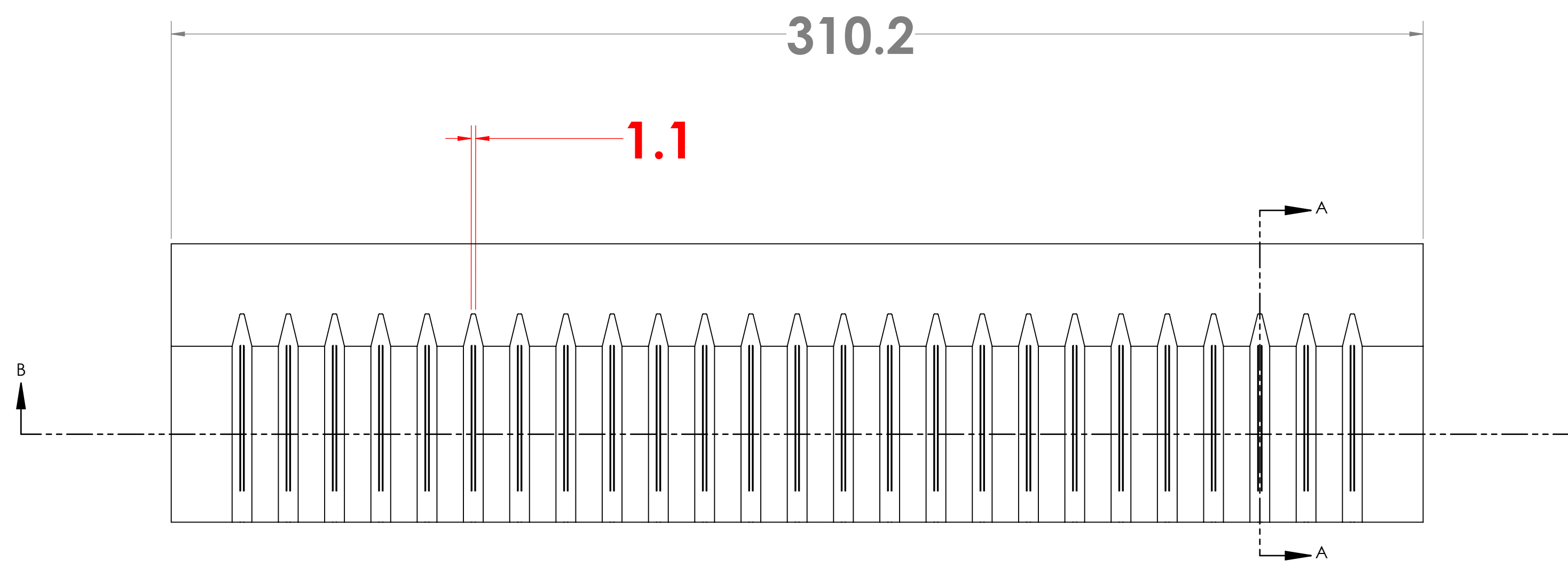
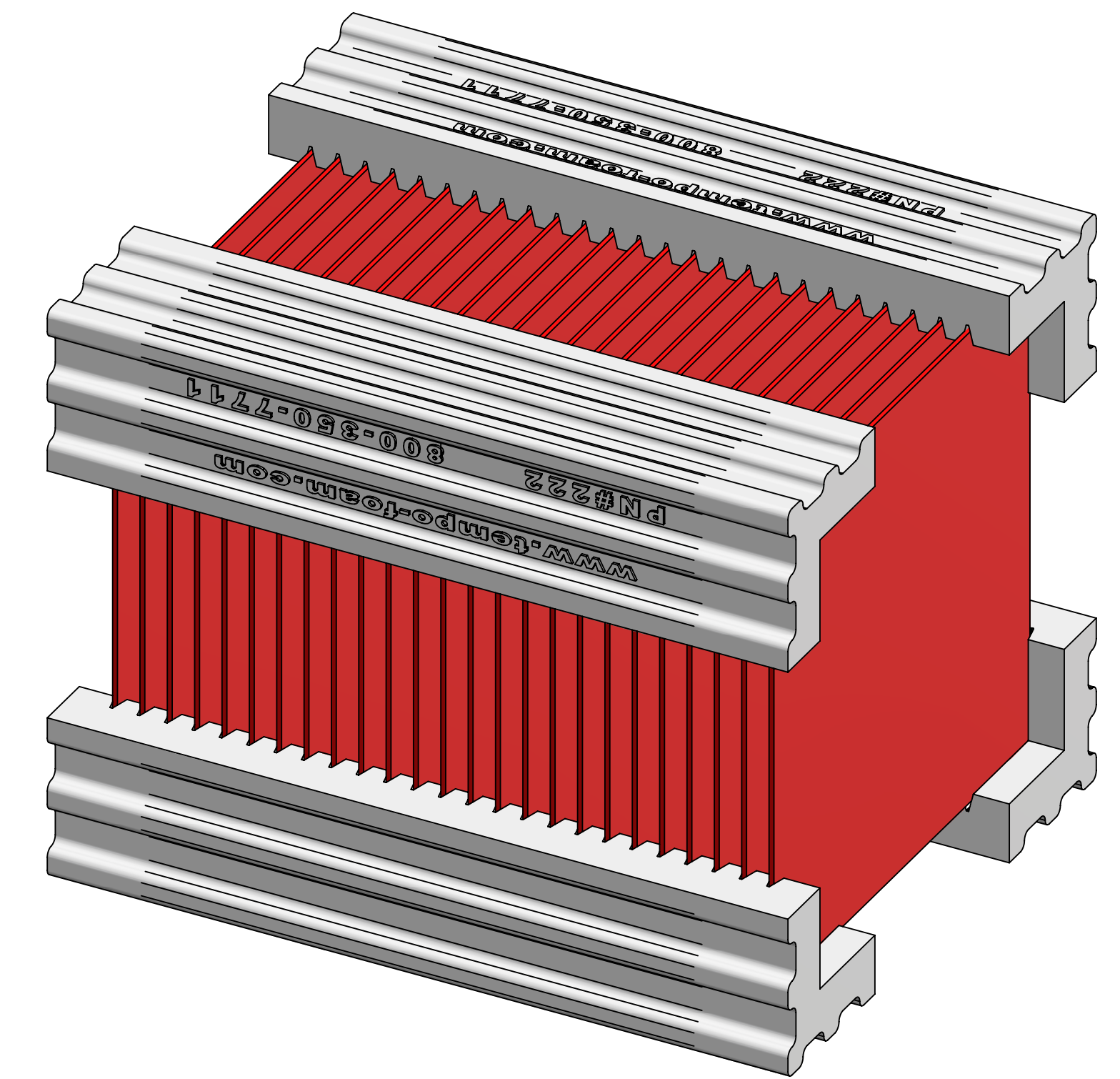
DETAIL C
SCALE 2:1



End assembly view



SECTION B-B



end view cross section

- Note:**
- 1) Material To be 64g/l density (4.0 lb/ft³) EPS, Static Dissipative
 - 2) 1 Degree Draft TYP
 - 3) Dimensions shown in millimeters

PROPRIETARY AND CONFIDENTIAL
THE INFORMATION CONTAINED IN THIS
DRAWING IS THE SOLE PROPERTY OF
TEMPO PLASTIC CO., INC. ANY
REPRODUCTION IN PART OR AS A WHOLE
WITHOUT THE WRITTEN PERMISSION OF
TEMPO PLASTIC CO., INC IS
PROHIBITED.

UNLESS OTHERWISE SPECIFIED:		NAME	DATE	TEMPO PLASTIC CO., INC.
DIMENSIONS ARE IN MM		JR	10/19	
TOLERANCES:		DRAWN		TITLE:
FRACTIONAL: ±		CHECKED		TPC-222
ANGULAR: MATCH ± BEND ±		ENG APPR.		SIZE DWG. NO.
TWO PLACE DECIMAL ±		MFG APPR.		D A
THREE PLACE DECIMAL ±		Q.A.		SCALE: 1:1 WEIGHT:
INTERPRET GEOMETRIC TOLERANCING PER:		COMMENTS:		SHEET 1 OF 1
MATERIAL:				
FINISH:				
NEXT ASSY	USED ON			
APPLICATION	DO NOT SCALE DRAWING			