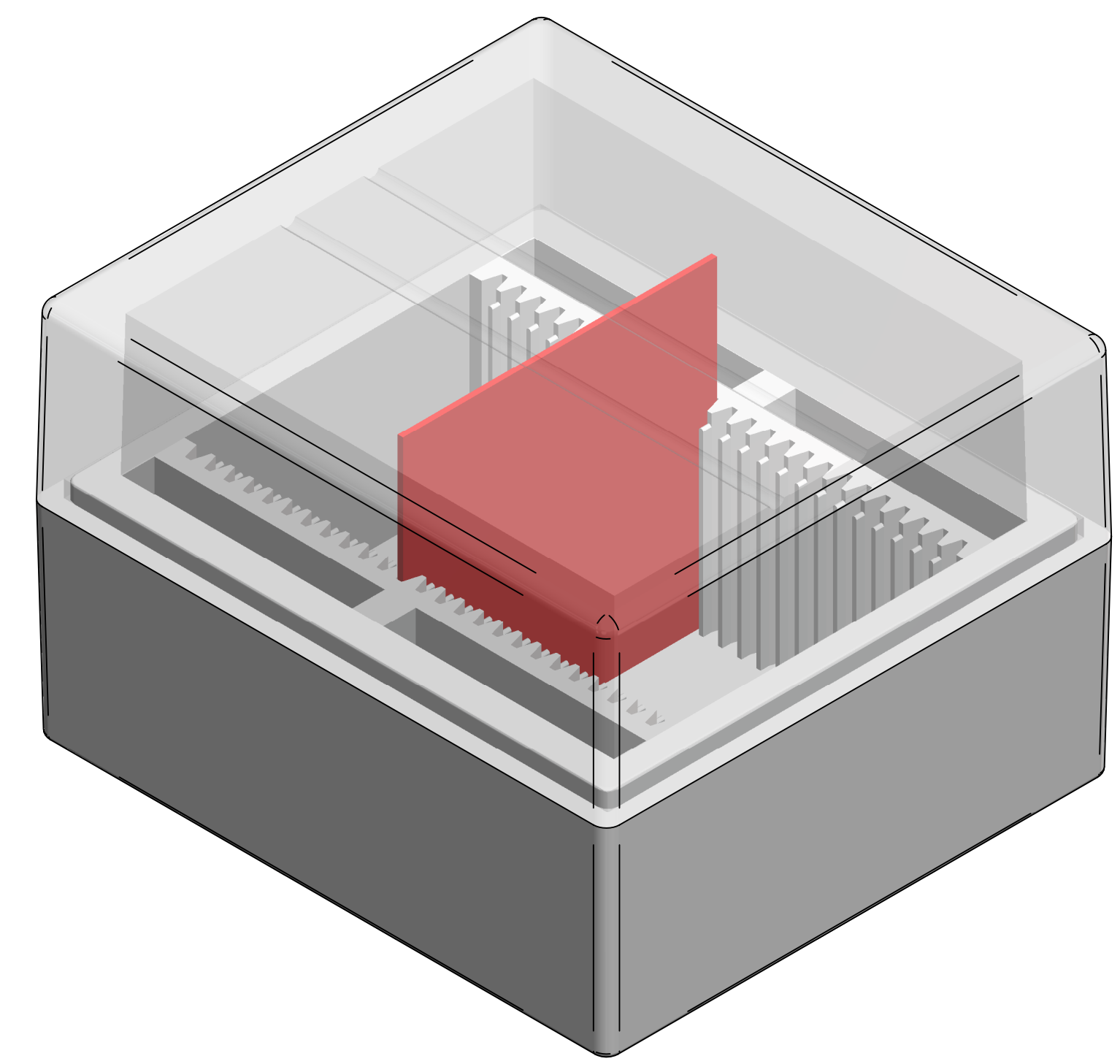
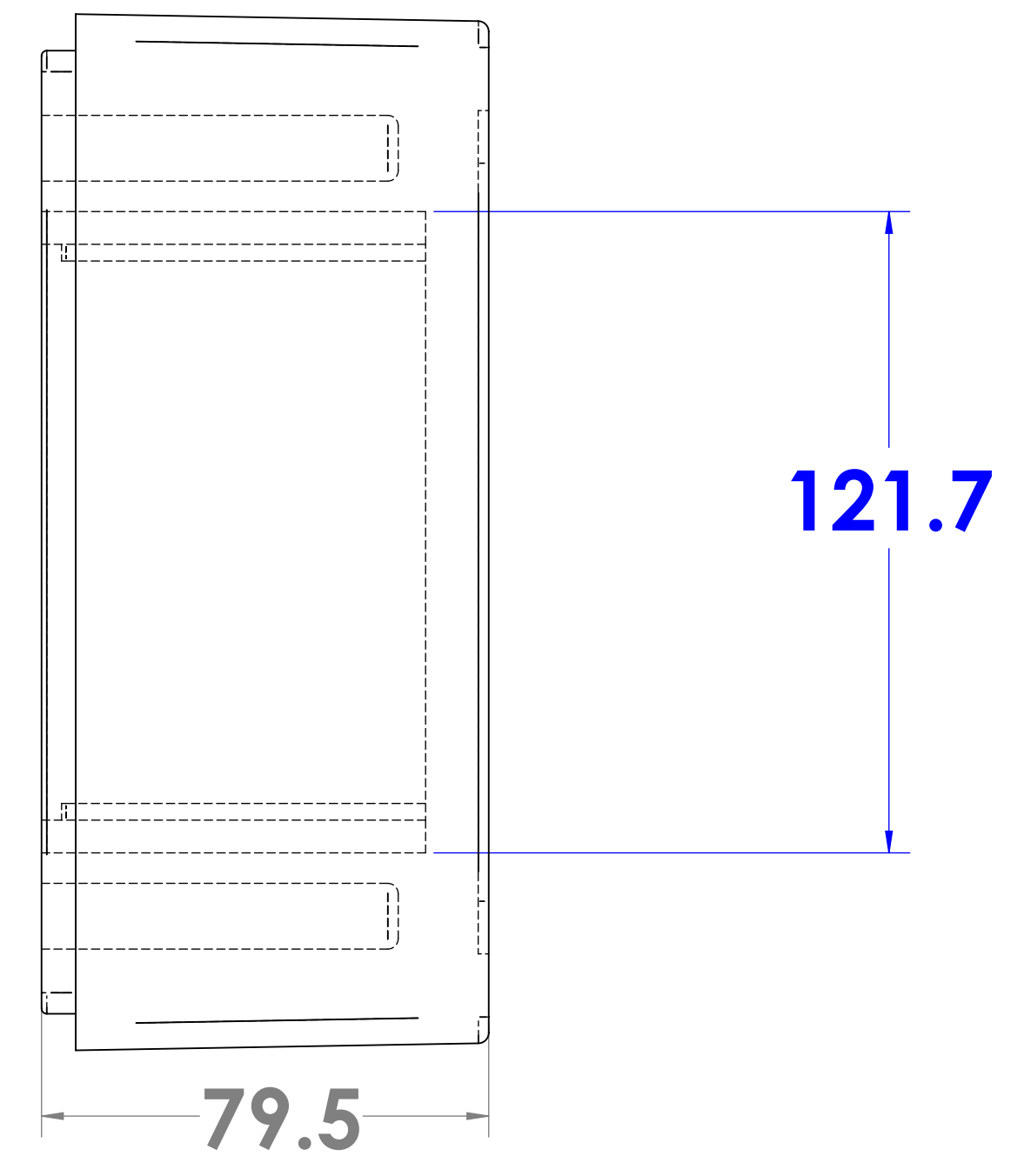
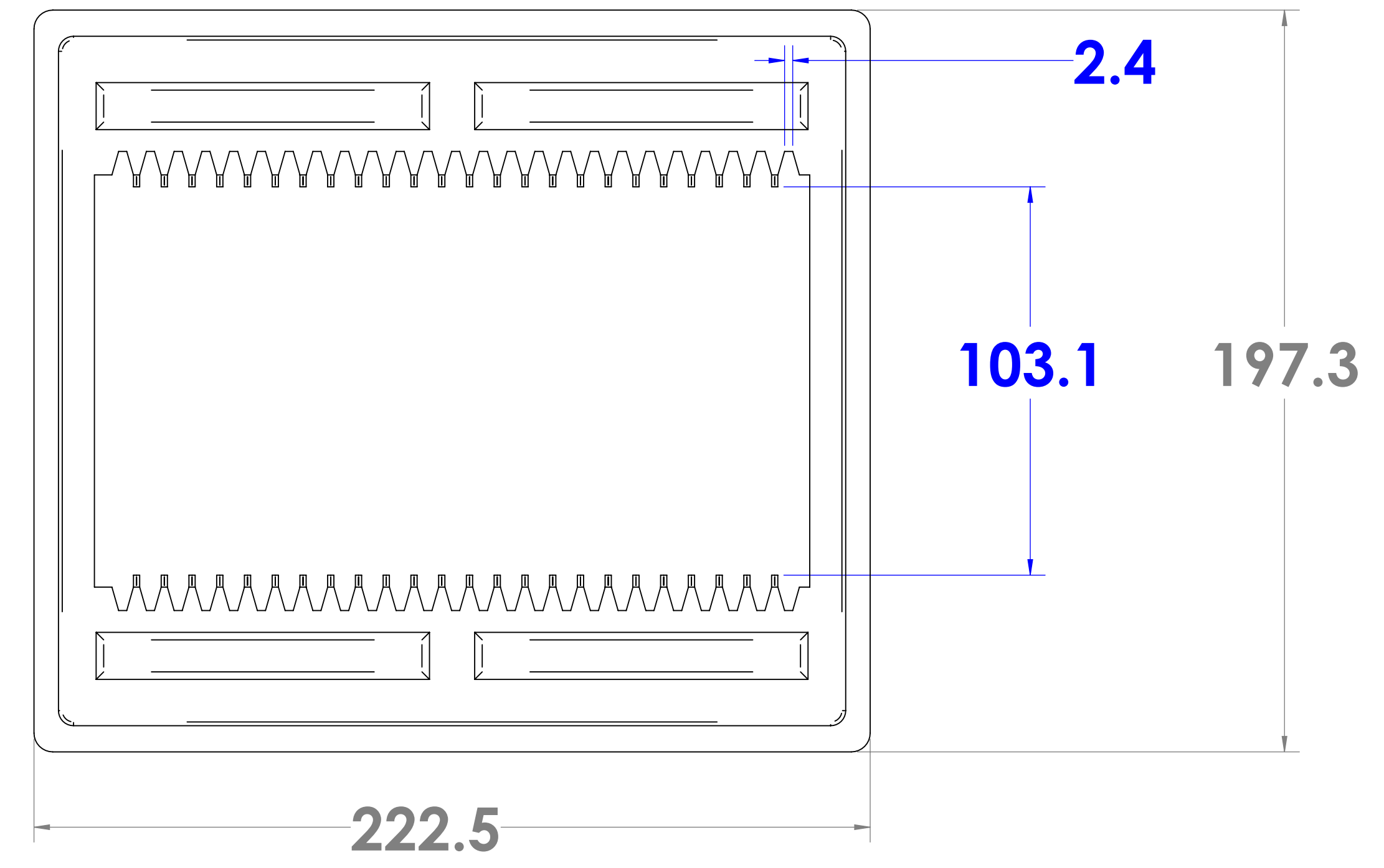
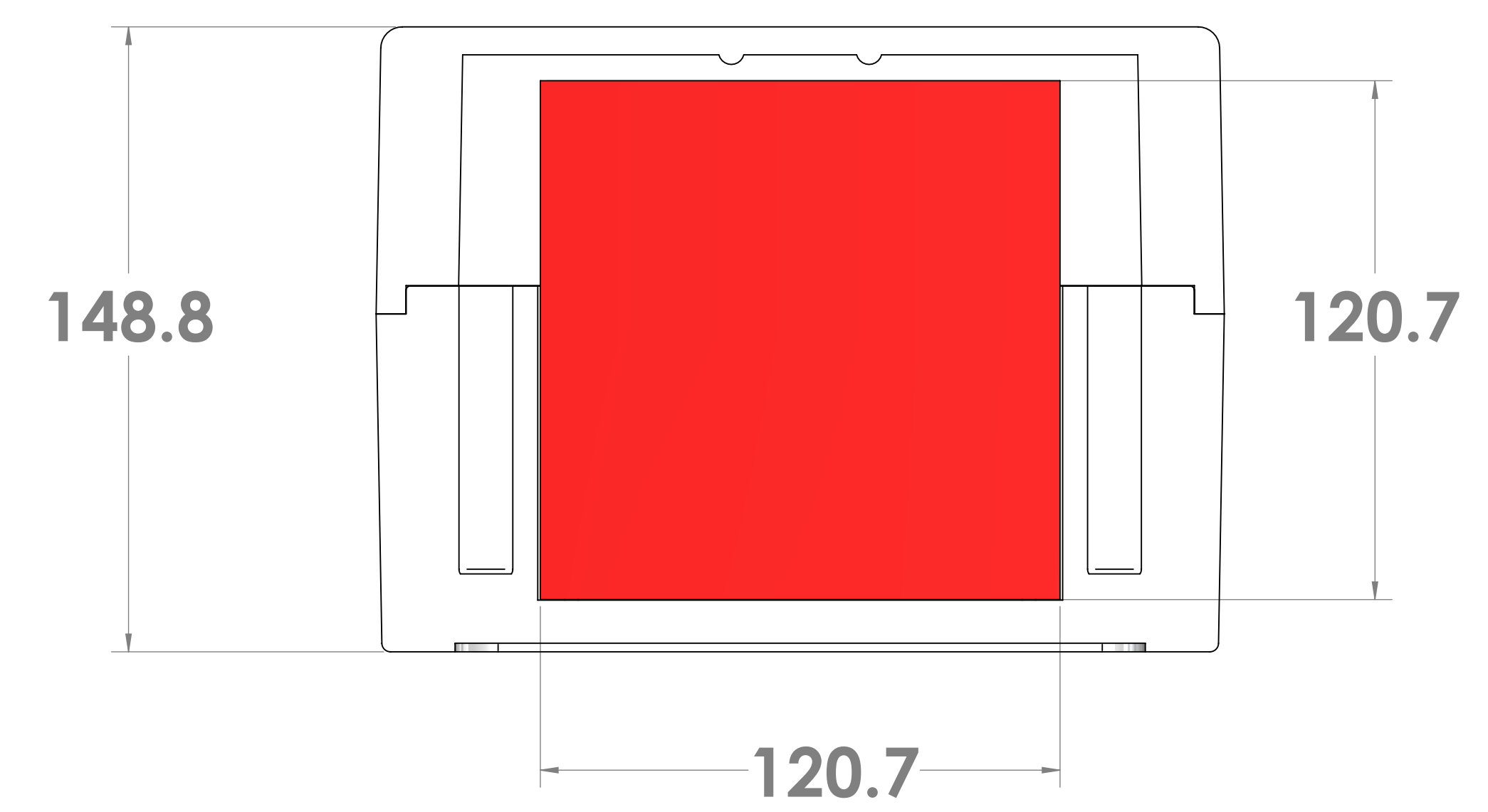
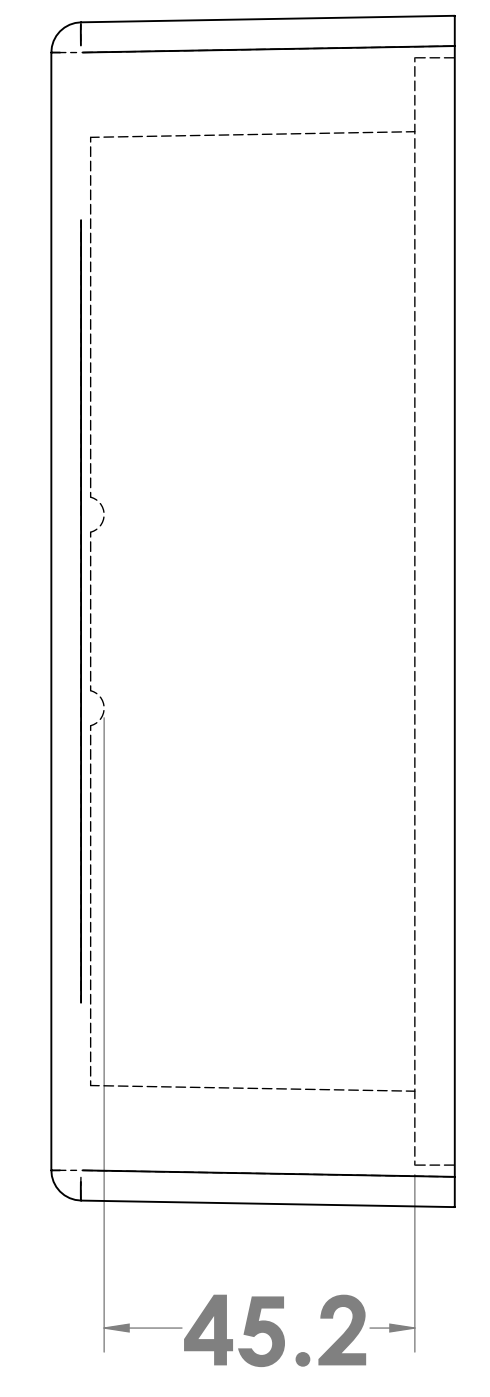
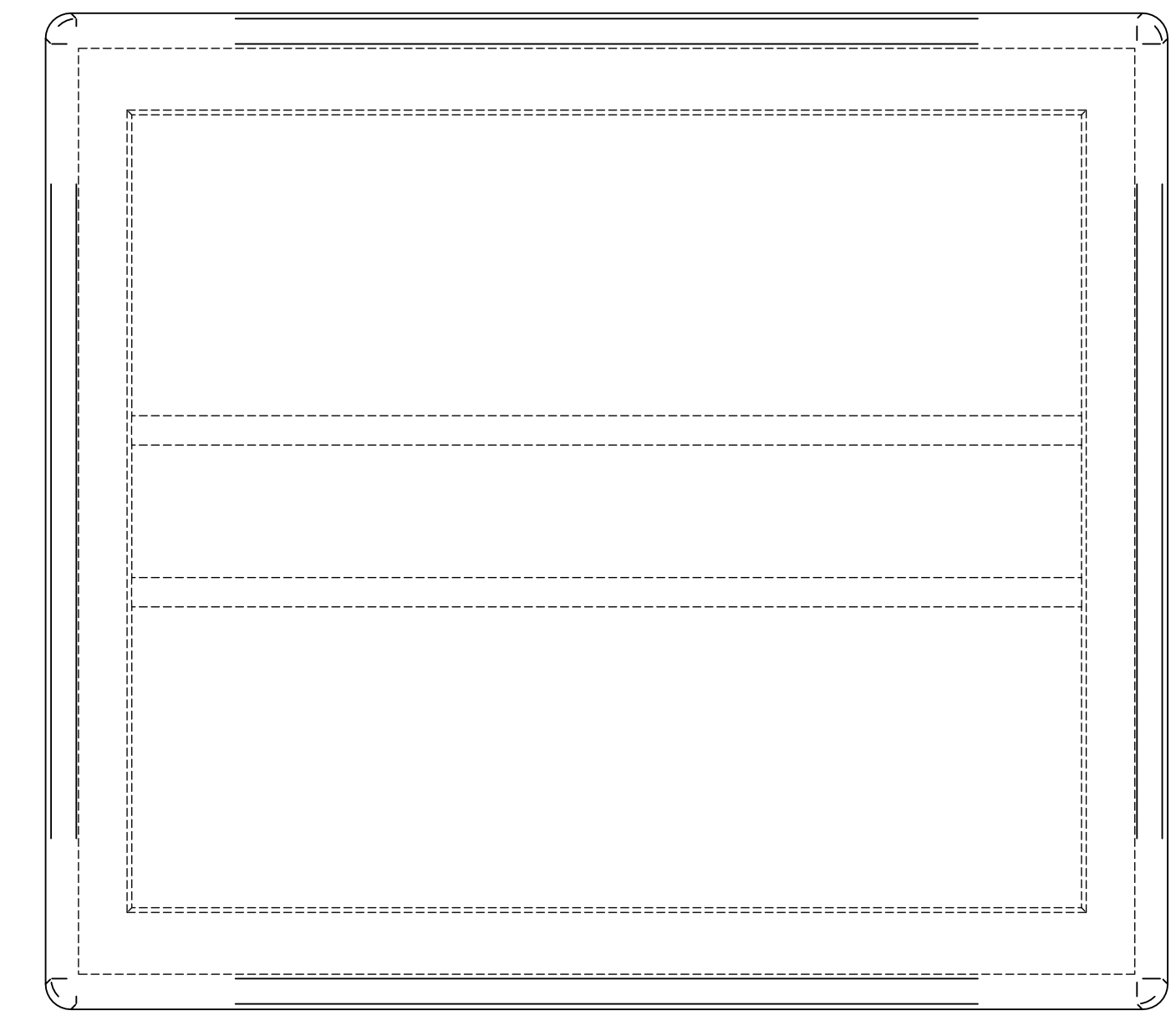


TOP VIEW OF BASE



TOP VIEW OF LID



CUT SECTION WITH PART IN PLACE

- Note:
- 1) Material to be 64g/l density (4.0 lb/ft³) Static Dissipative EPS
 - 2) 1 Degree Draft TYP
 - 3) Dimensions shown are in millimeters

PROPRIETARY AND CONFIDENTIAL
 THE INFORMATION CONTAINED IN THIS DRAWING IS THE SOLE PROPERTY OF TEMPO PLASTIC CO., INC. ANY REPRODUCTION IN PART OR AS A WHOLE WITHOUT THE WRITTEN PERMISSION OF TEMPO PLASTIC CO., INC IS PROHIBITED.

UNLESS OTHERWISE SPECIFIED:		NAME	DATE	TEMPO PLASTIC CO., INC.
DIMENSIONS ARE IN MM		JR	5/10/23	
TOLERANCES:		DRAWN		TITLE:
FRACTIONAL ±		CHECKED		#25S-4750
ANGULAR: MACH ± BEND ±		ENG APPR.		
TWO PLACE DECIMAL ±		MFG APPR.		SIZE DWG. NO.
THREE PLACE DECIMAL ±		Q.A.		D A
INTERPRET GEOMETRIC TOLERANCING PER:		COMMENTS:		SCALE: WEIGHT: SHEET 1 OF 1
MATERIAL	FINISH	APPLICATION	DO NOT SCALE DRAWING	