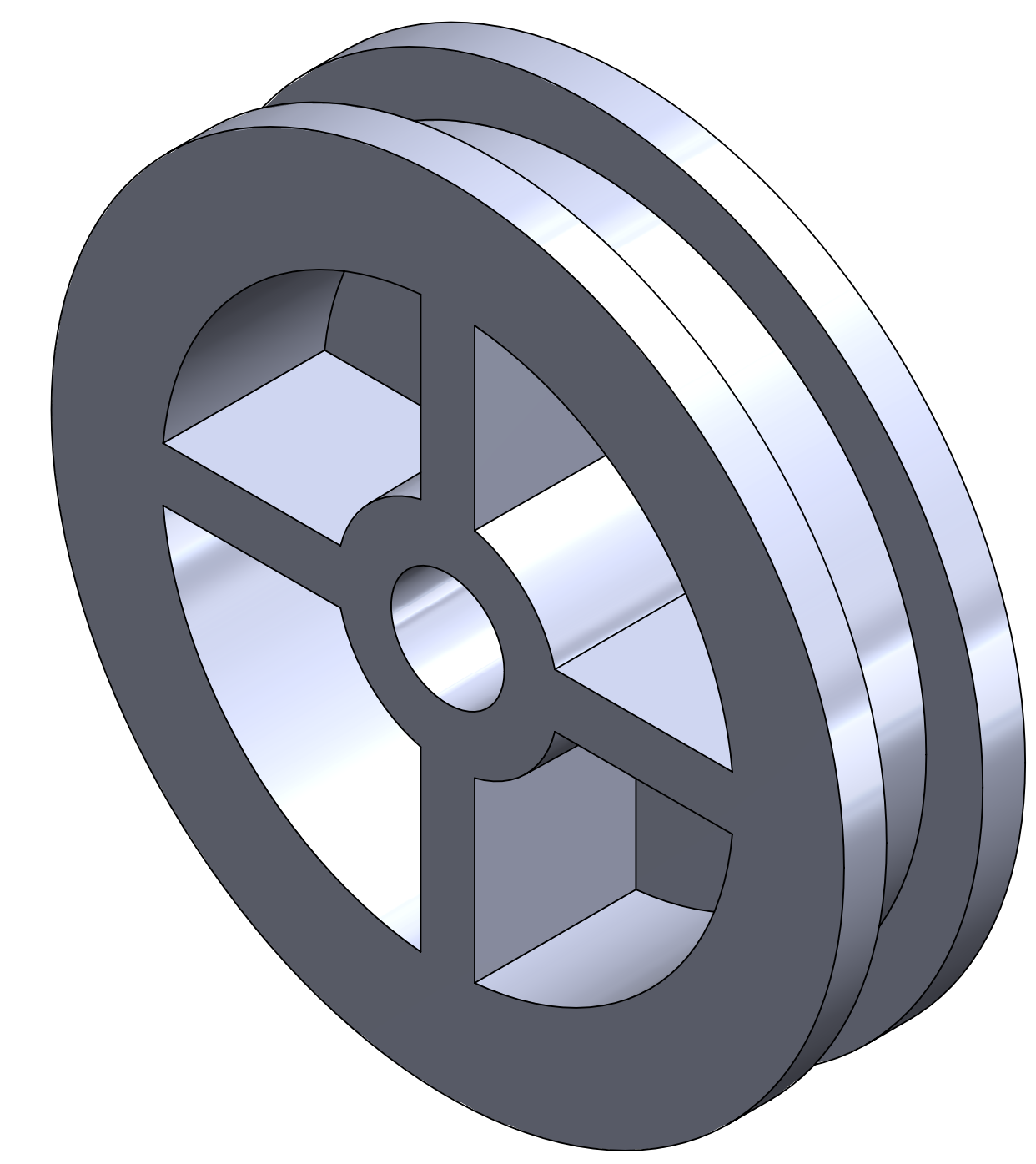
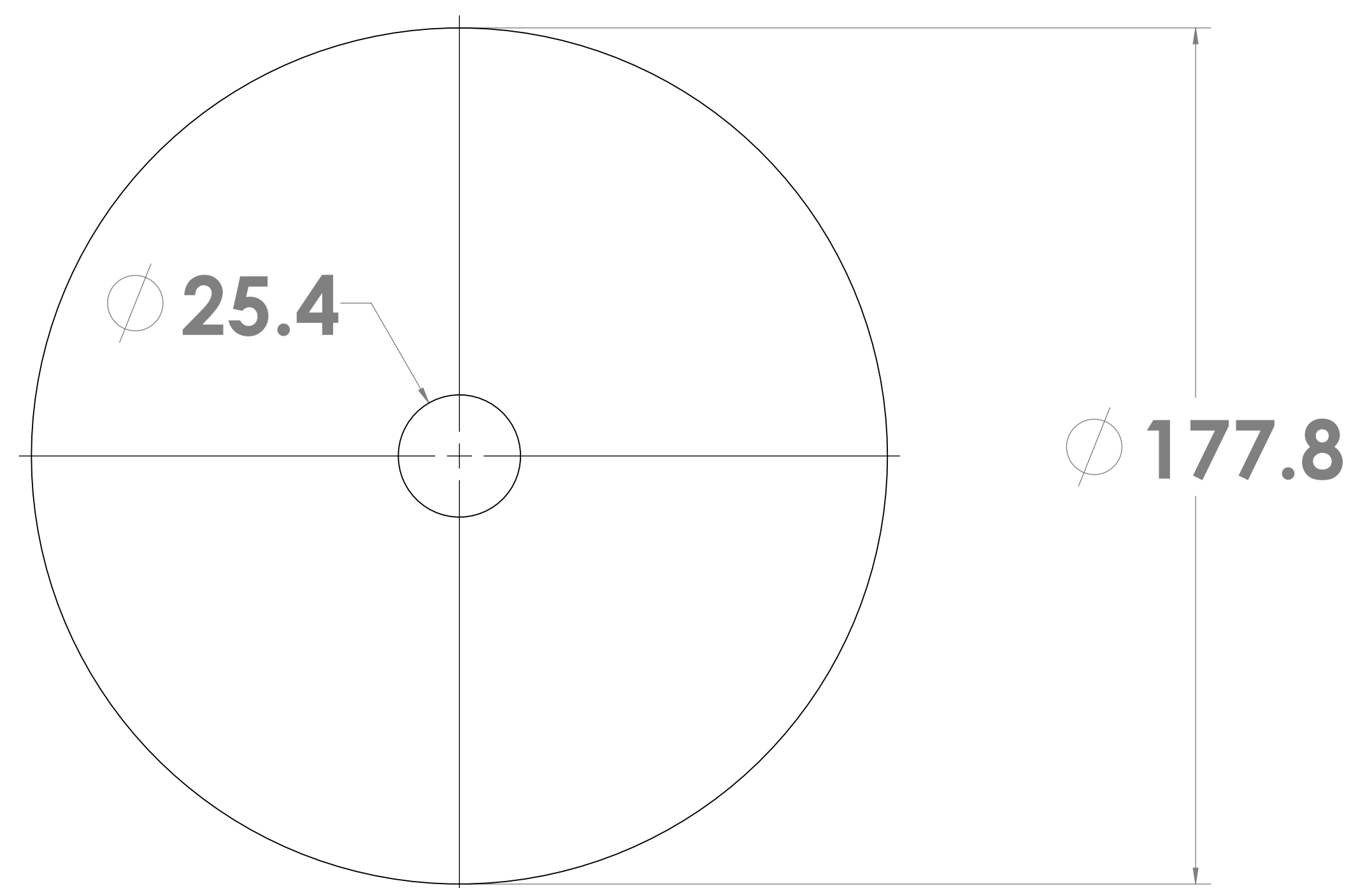


Note:
 1) Static Dissipative 64g/l density (4.0 lb/ft³) EPS
 2) 1 Degree Draft TYP
 3)



UNLESS OTHERWISE SPECIFIED:		NAME	DATE	TEMPO PLASTIC CO., INC.
DIMENSIONS ARE IN MM		JR	5/22/18	
TOLERANCES:		DRAWN		TITLE: Fiber Reel 6" Hub
FRACTIONAL ±		CHECKED		
ANGULAR: MACH ± BEND ±		ENG APPR.		SIZE DWG. NO. REV D 1 A
TWO PLACE DECIMAL ±		MFG APPR.		
THREE PLACE DECIMAL ±		Q.A.		SCALE: 1:1 WEIGHT: SHEET 1 OF 1
INTERPRET GEOMETRIC TOLERANCING PER:		COMMENTS:		
MATERIAL				
FINISH				
NEXT ASSY	USED ON			
APPLICATION	DO NOT SCALE DRAWING			

PROPRIETARY AND CONFIDENTIAL
 THE INFORMATION CONTAINED IN THIS DRAWING IS THE SOLE PROPERTY OF TEMPO PLASTIC CO., INC. ANY REPRODUCTION IN PART OR AS A WHOLE WITHOUT THE WRITTEN PERMISSION OF TEMPO PLASTIC CO., INC IS PROHIBITED.