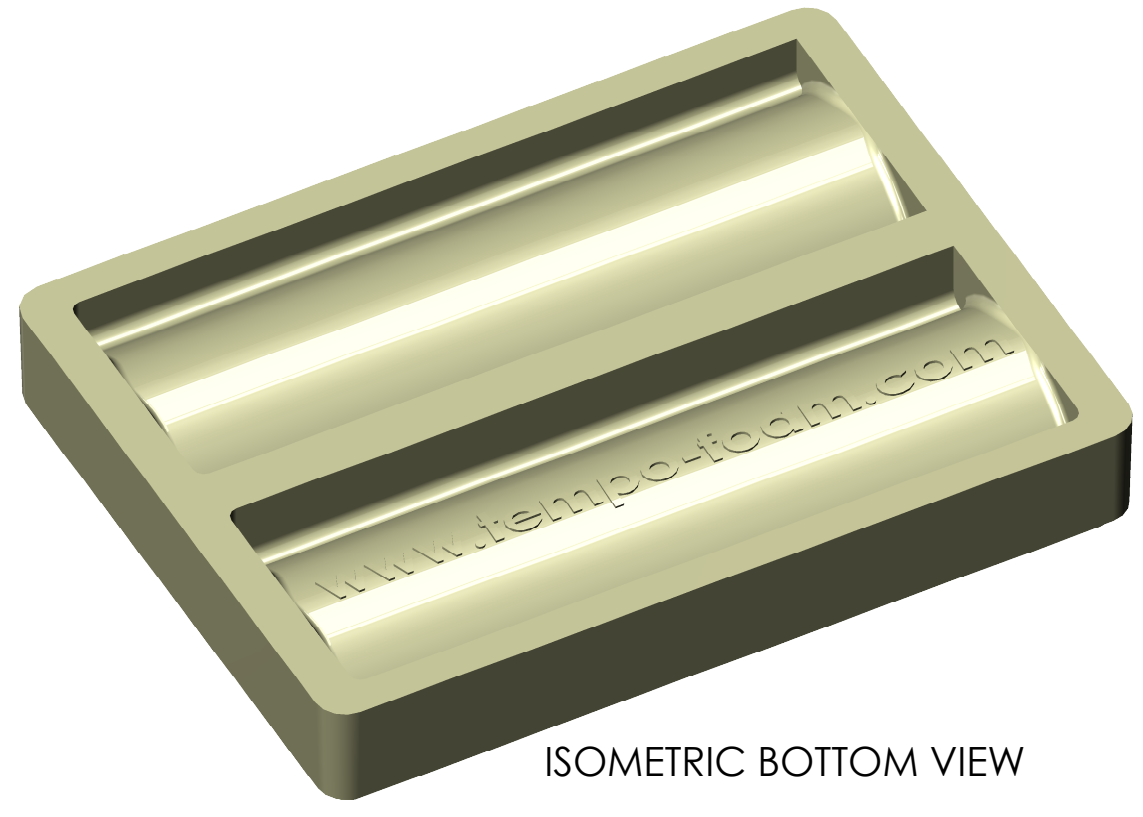
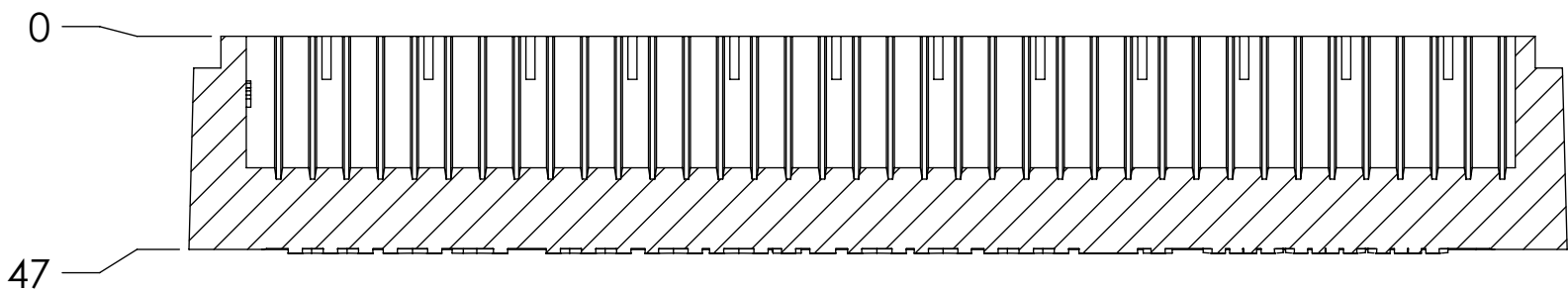


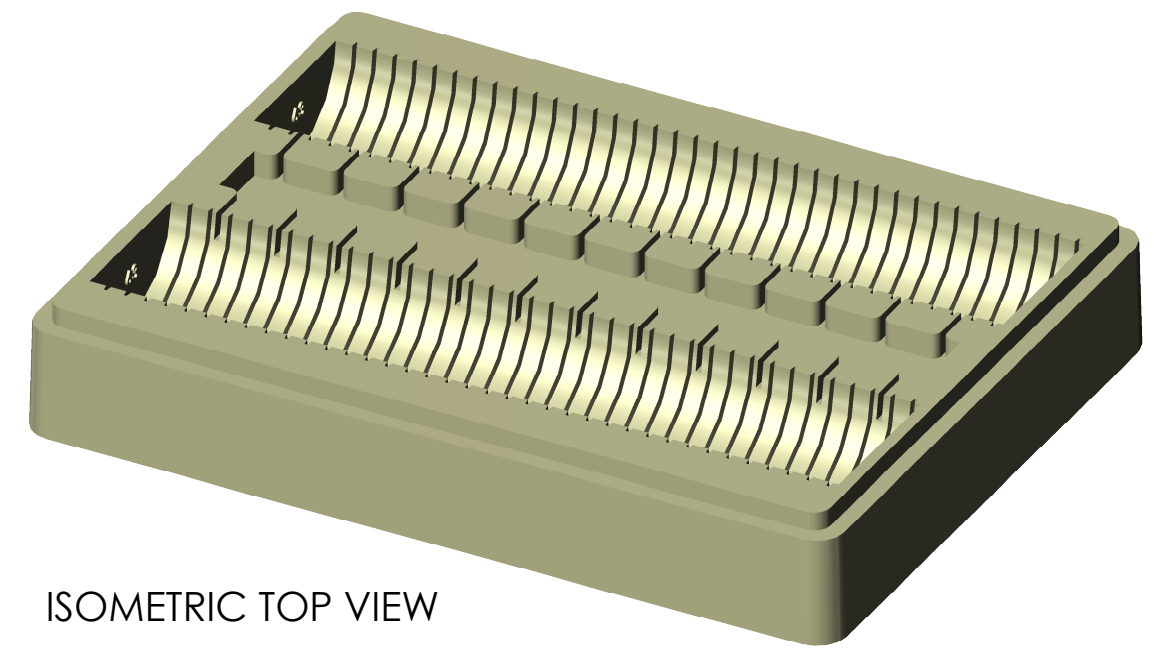
SECTION A-A
SCALE 1 : 1.65



ISOMETRIC BOTTOM VIEW



SECTION B-B
SCALE 1 : 1.65



ISOMETRIC TOP VIEW

Note:
 1) Material To be 64g/l density (4.0 lb/ft3) EPS,
 Static Dissipative
 2) 1 Degree Draft TYP

PROPRIETARY AND CONFIDENTIAL
 THE INFORMATION CONTAINED IN THIS DRAWING IS THE SOLE PROPERTY OF TEMPO PLASTIC CO., INC. ANY REPRODUCTION IN PART OR AS A WHOLE WITHOUT THE WRITTEN PERMISSION OF TEMPO PLASTIC CO., INC. IS PROHIBITED.

UNLESS OTHERWISE SPECIFIED:		NAME	DATE	TEMPO PLASTIC CO., INC. 1227 N. MILLER PARK COURT VISALIA, CA 93291
DIMENSIONS ARE IN MM		DRAWN	J ELLIS	19Oct04
TOLERANCES:		CHECKED	DBR	19Oct04
FRACTIONAL ±		ENG APPR.		
ANGULAR: MACH ± BEND ±		MFG APPR.	DBR	19Oct04
TWO PLACE DECIMAL ±		Q.A.		
THREE PLACE DECIMAL ±		COMMENTS:		
INTERPRET GEOMETRIC TOLERANCING PER:				
MATERIAL				
FINISH				
NEXT ASSY	USED ON			
APPLICATION	DO NOT SCALE DRAWING			
TITLE:			#74R-2480	
SIZE	DWG. NO.	REV		
C	101904JRE			
SCALE: 1:2	WEIGHT:	SHEET 1 OF 1		