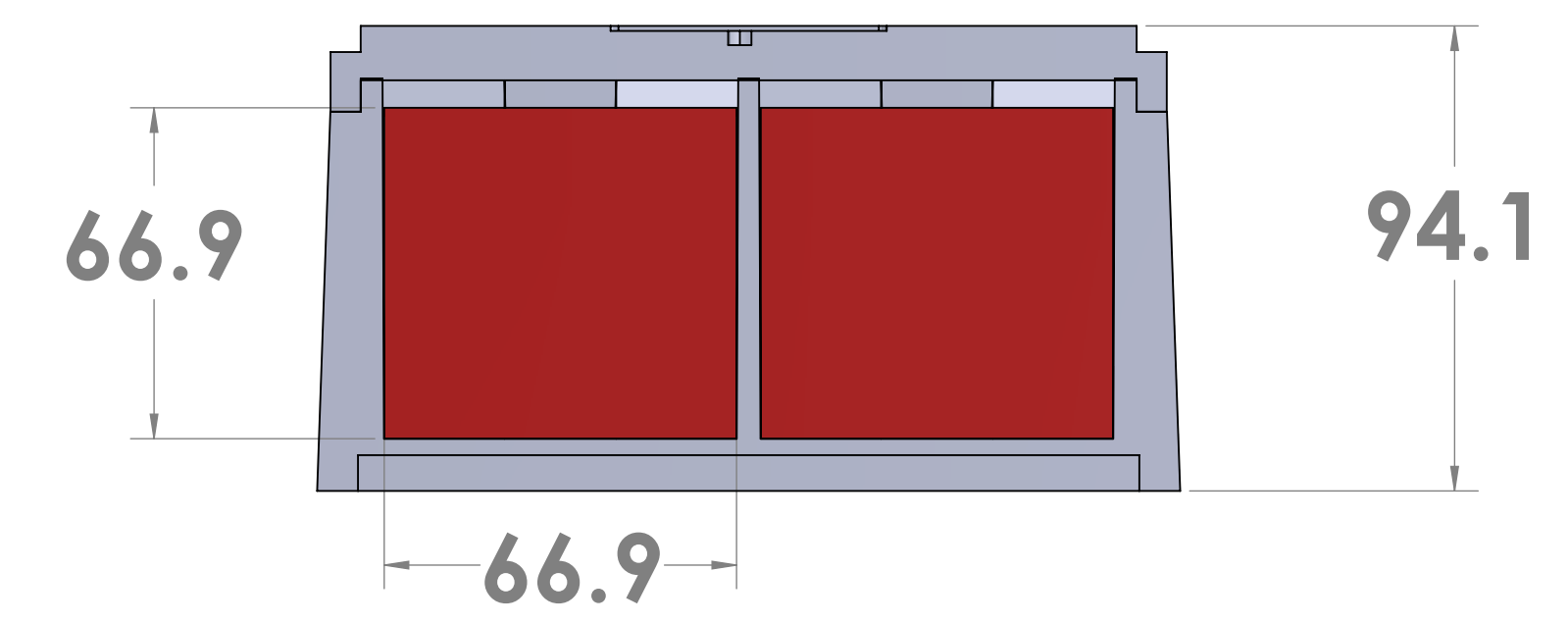
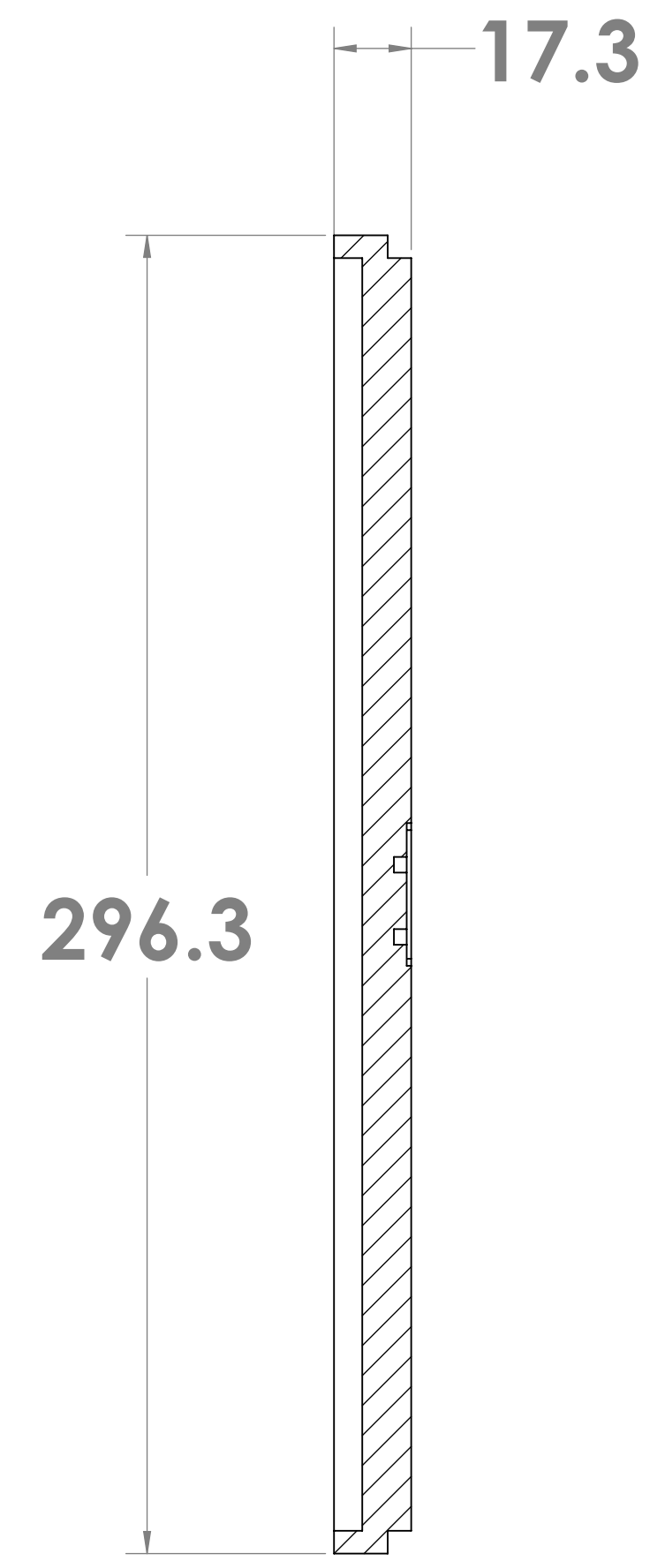
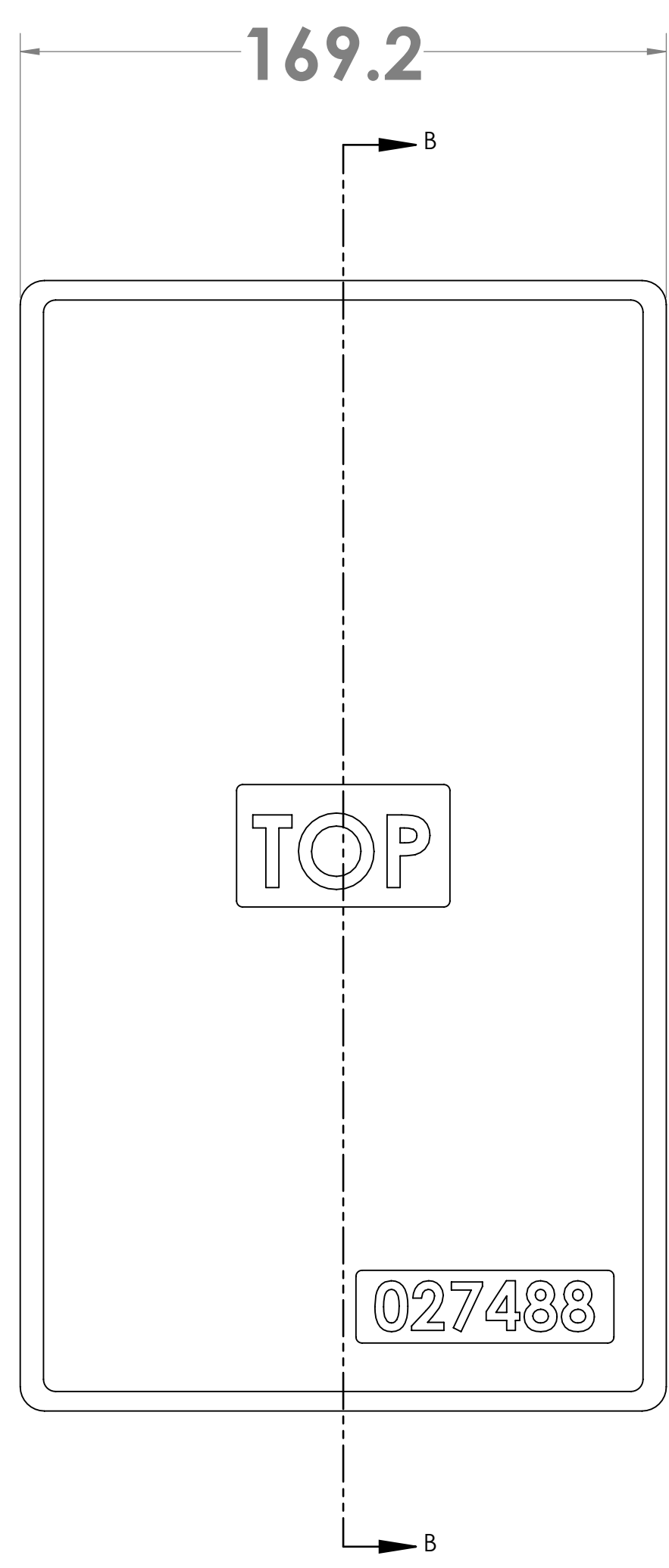
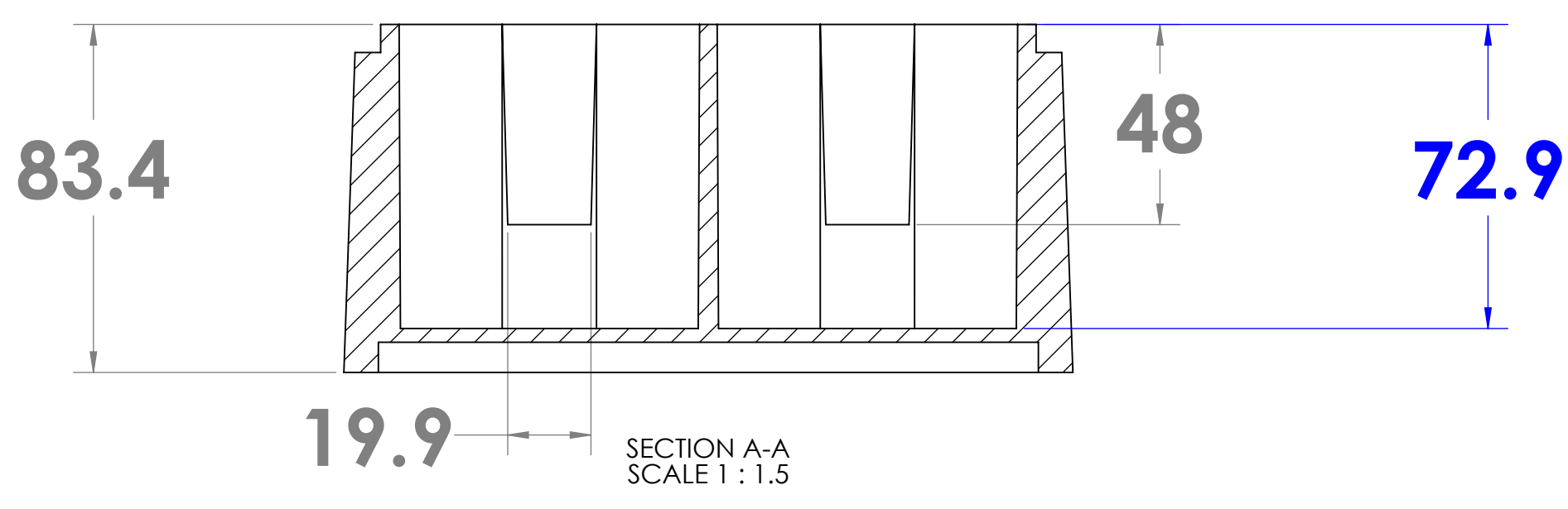
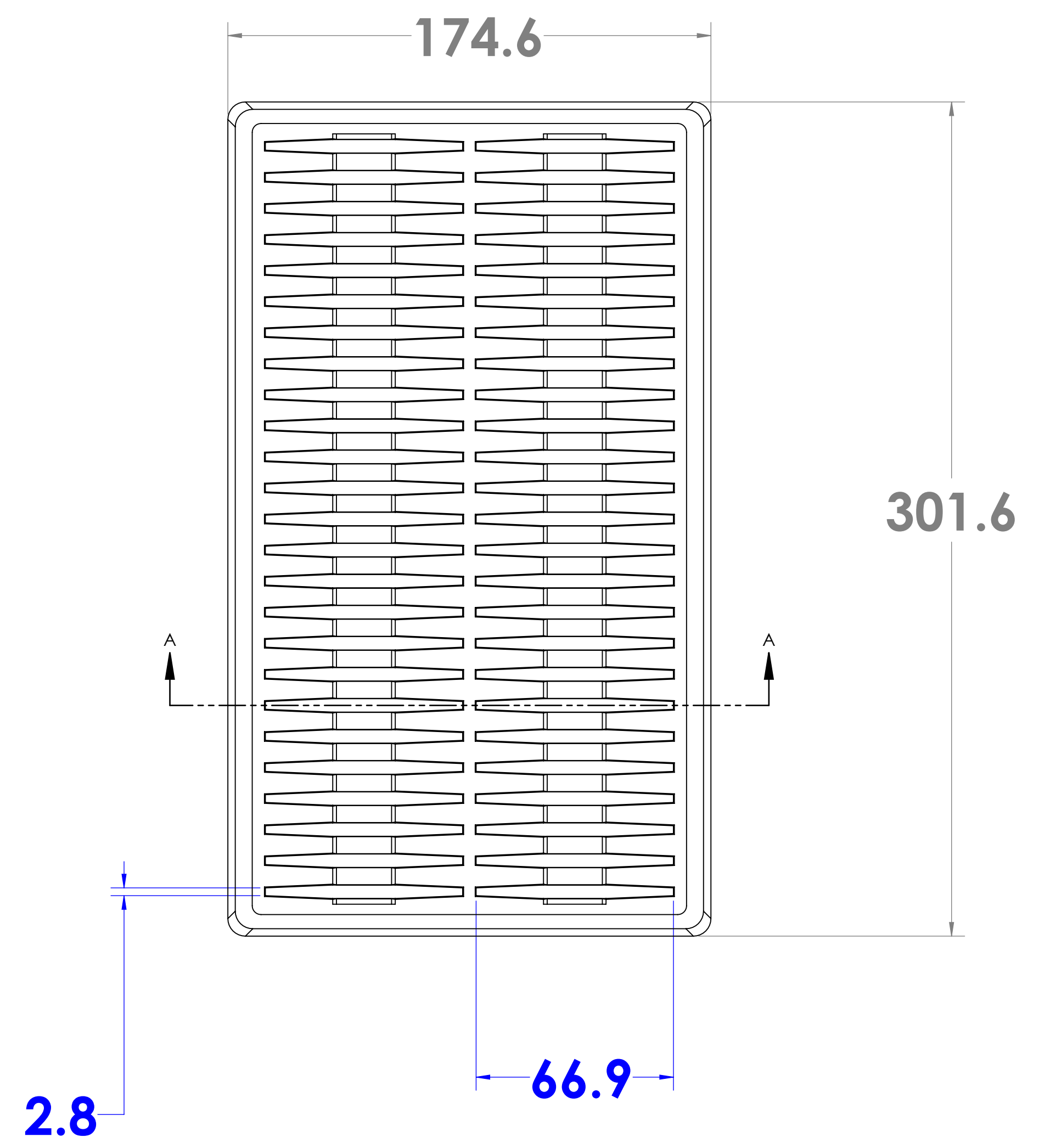
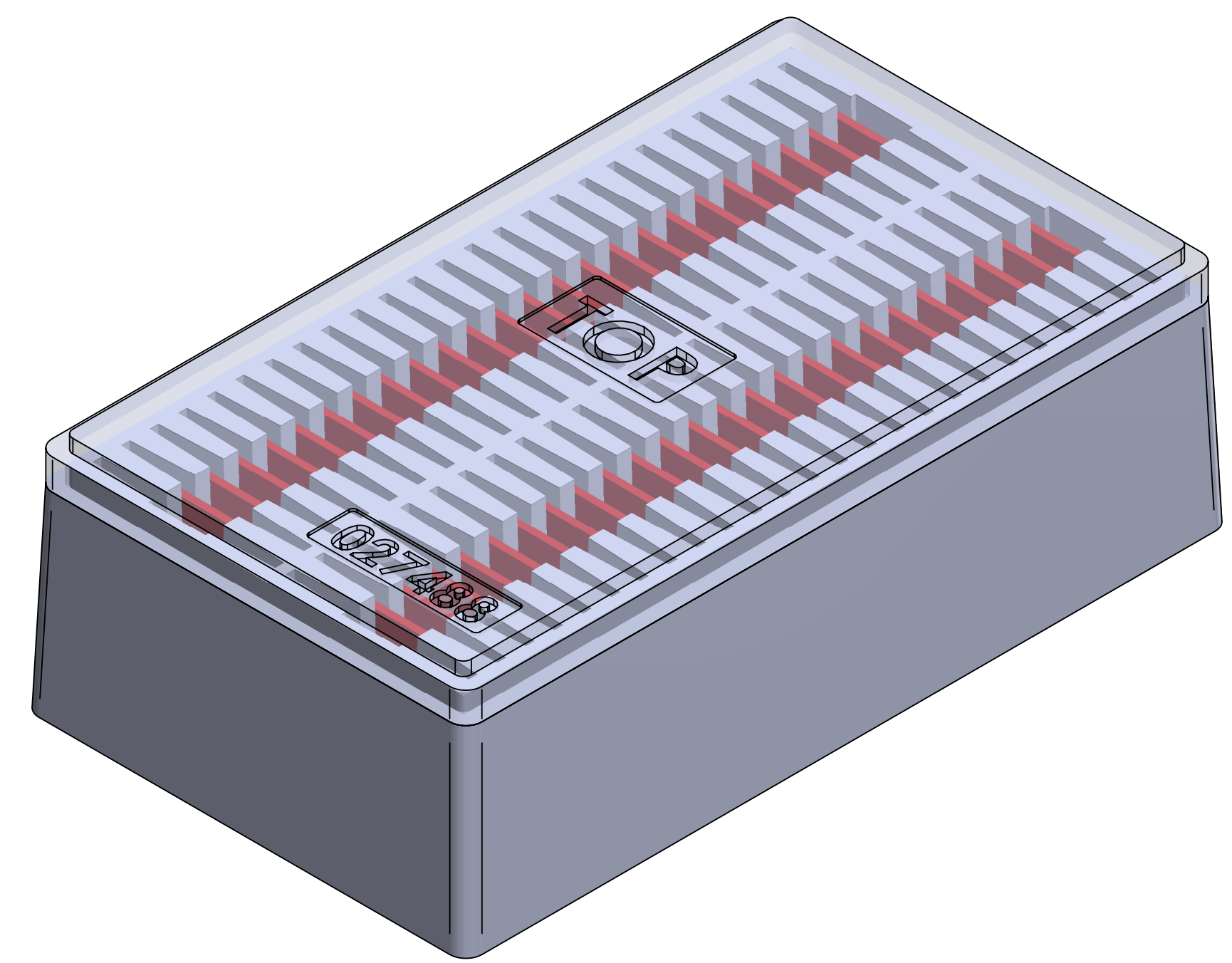


Note:
 1) Material To be 64g/l density (4.0 lb/ft³) EPS, Static Dissipative
 2) 1 Degree Draff TYP
 3) Dimensions shown are in millimeters



PROPRIETARY AND CONFIDENTIAL THE INFORMATION CONTAINED IN THIS DRAWING IS THE SOLE PROPERTY OF TEMPO PLASTIC CO., INC. ANY REPRODUCTION IN PART OR AS A WHOLE WITHOUT THE WRITTEN PERMISSION OF TEMPO PLASTIC CO., INC IS PROHIBITED.		UNLESS OTHERWISE SPECIFIED: DIMENSIONS ARE IN MM TOLERANCES: FRACTIONAL: ± ANGULAR: MACH ± BEND ± TWO PLACE DECIMAL ± THREE PLACE DECIMAL ±	DRAWN: JR CHECKED: ENG APPR: MFG APPR: Q.A. COMMENTS:	NAME: JR DATE: 7/18/2019 TITLE: TEMPO PLASTIC CO., INC. #50S-2635
NEXT ASSY: APPLICATION:	USED ON: FINISH: DO NOT SCALE DRAWING	INTERPRET GEOMETRIC TOLERANCING PER: MATERIAL: SCALE: 1:2 WEIGHT:	REV: A SHEET 1 OF 1	SCALE: 1:2 WEIGHT: