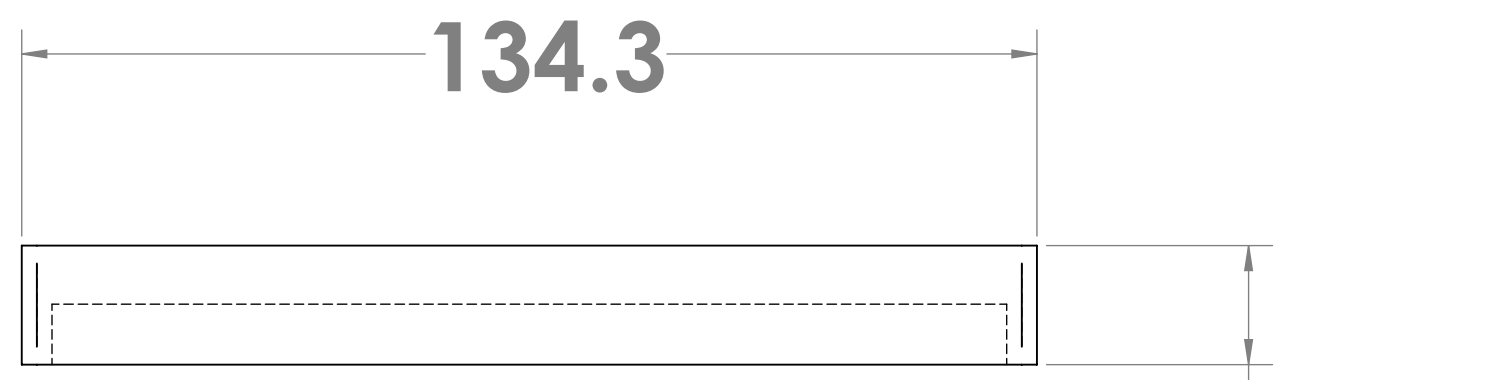
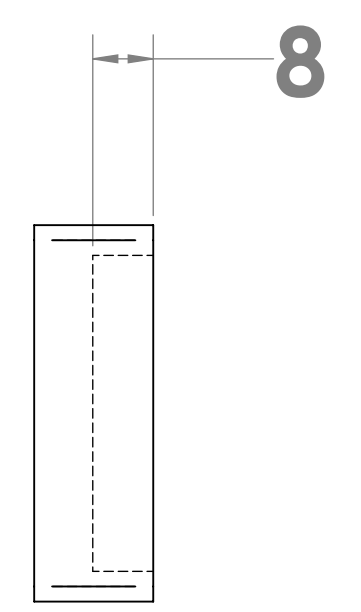
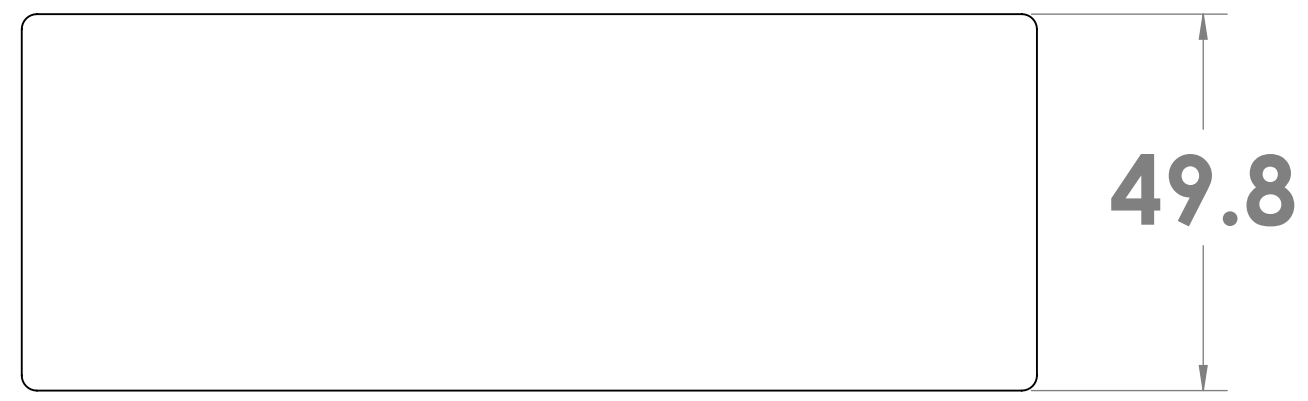
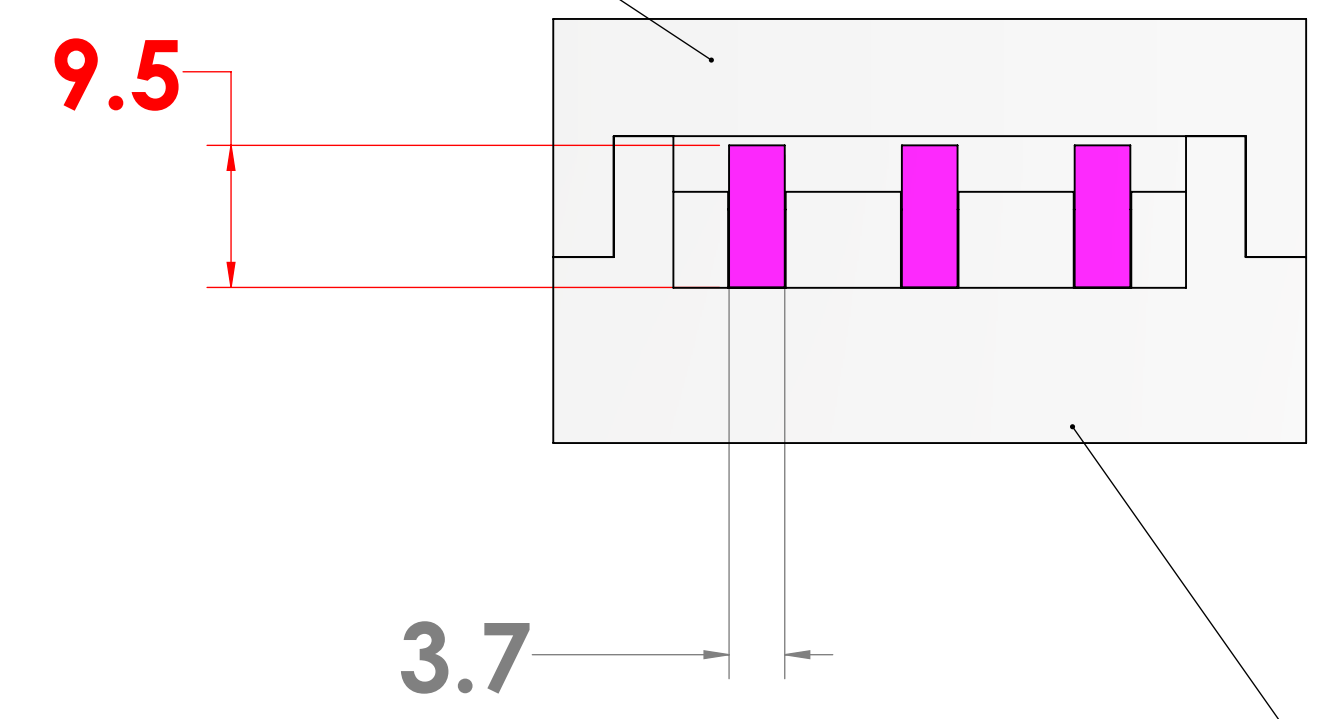


DETAIL A



Lid

Maximum Glass Dimension
9.5 x 3.7 x 2.3mm



#50S-150 Base

- Note:**
- 1) Material To be 64g/l density (4.0 lb/ft³) Static Dissipative EPS.
 - 2) 1 Degree Draft TYP.
 - 3) Dimensions shown are in millimeters

PROPRIETARY AND CONFIDENTIAL
THE INFORMATION CONTAINED IN THIS
DRAWING IS THE SOLE PROPERTY OF
TEMPO PLASTIC CO., INC. ANY
REPRODUCTION IN PART OR AS A WHOLE
WITHOUT THE WRITTEN PERMISSION OF
TEMPO PLASTIC CO., INC IS
PROHIBITED.

UNLESS OTHERWISE SPECIFIED:		NAME	DATE	TEMPO PLASTIC CO., INC.
DIMENSIONS ARE IN MM		JR	1/12/21	
TOLERANCES:		DRAWN		TITLE:
FRACTIONAL ±		CHECKED		#50S-150
ANGULAR: MACH ± BEND ±		ENG APPR.		SIZE DWG. NO. REV
TWO PLACE DECIMAL ±		MFG APPR.		D A
THREE PLACE DECIMAL ±		Q.A.		SCALE: 2:1 WEIGHT: SHEET 1 OF 1
INTERPRET GEOMETRIC TOLERANCING PER:		COMMENTS:		
MATERIAL:				
FINISH:				
NEXT ASSY	USED ON			
APPLICATION		DO NOT SCALE DRAWING		