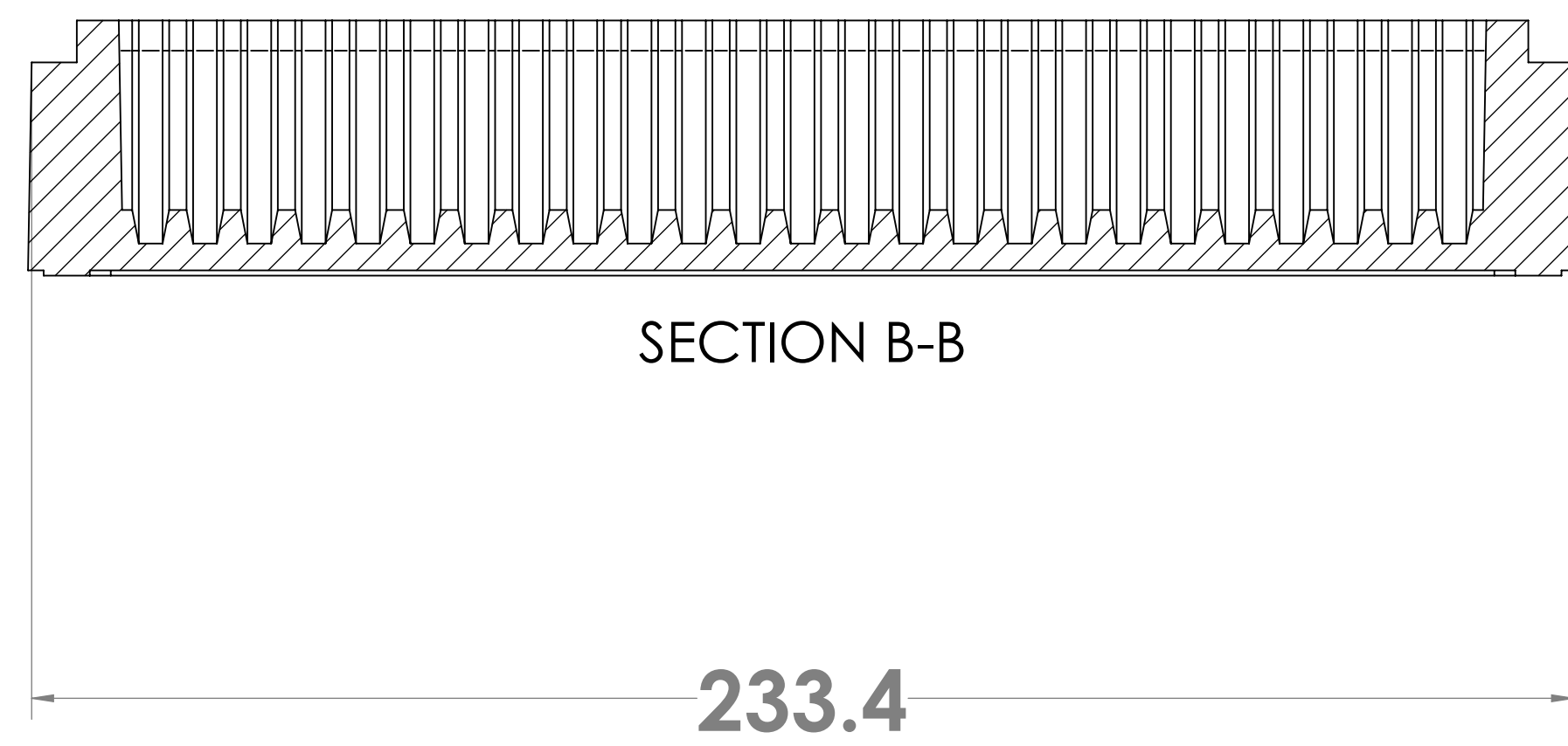
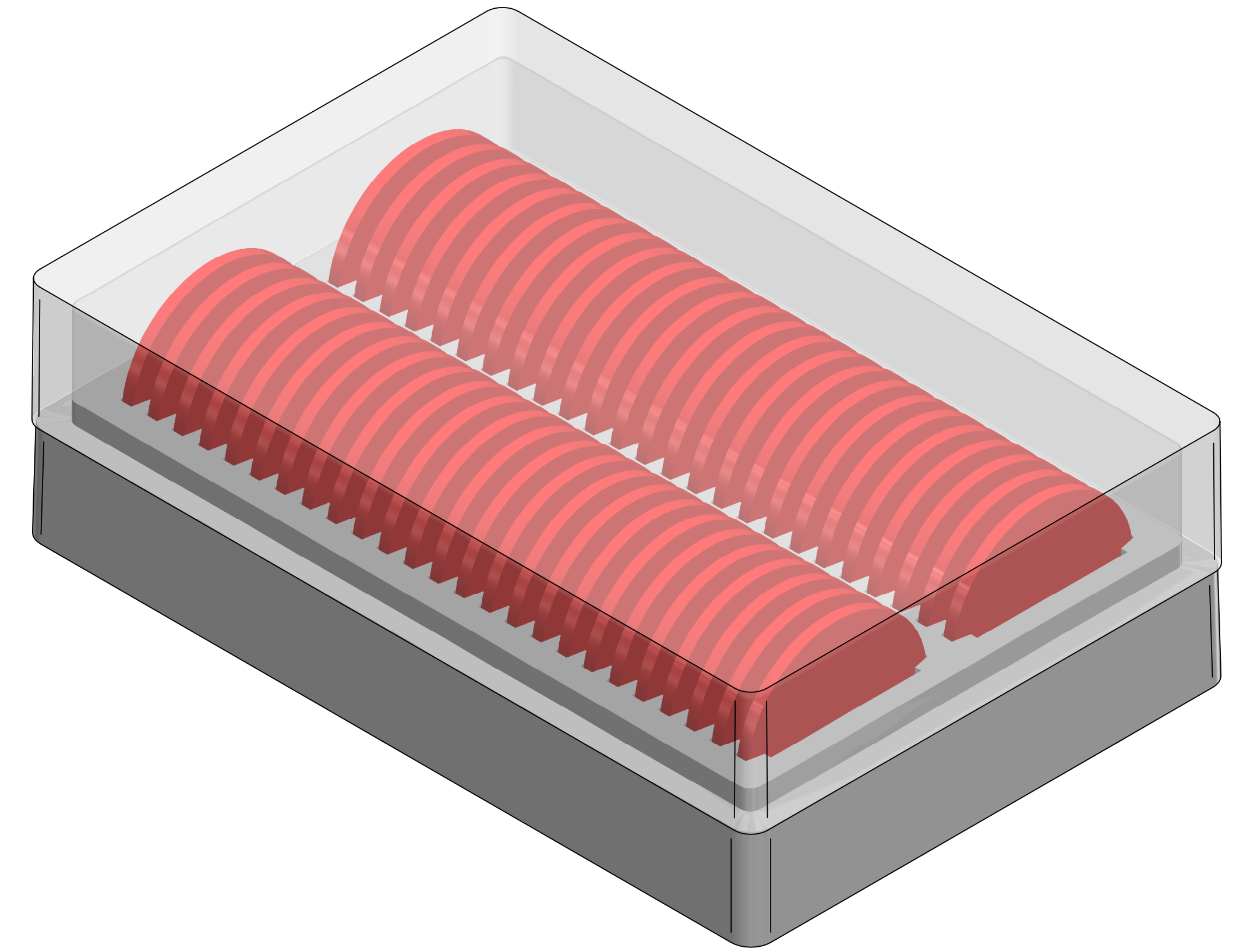
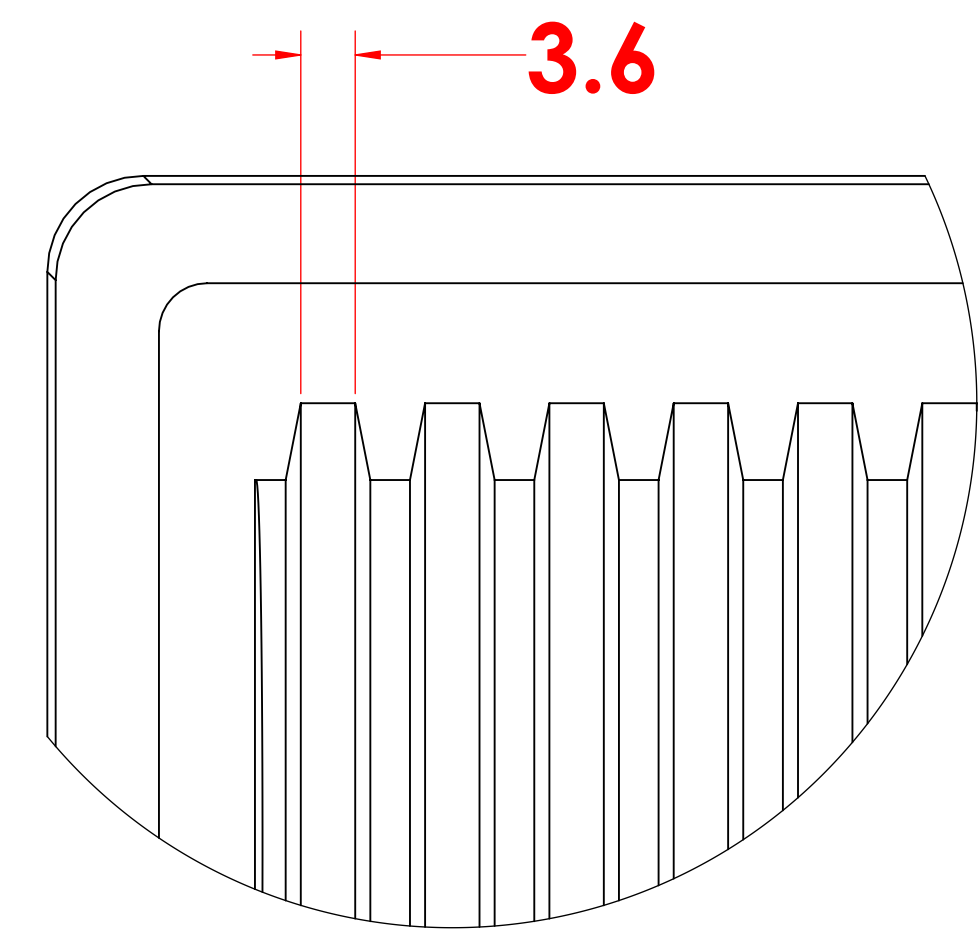


SECTION A-A

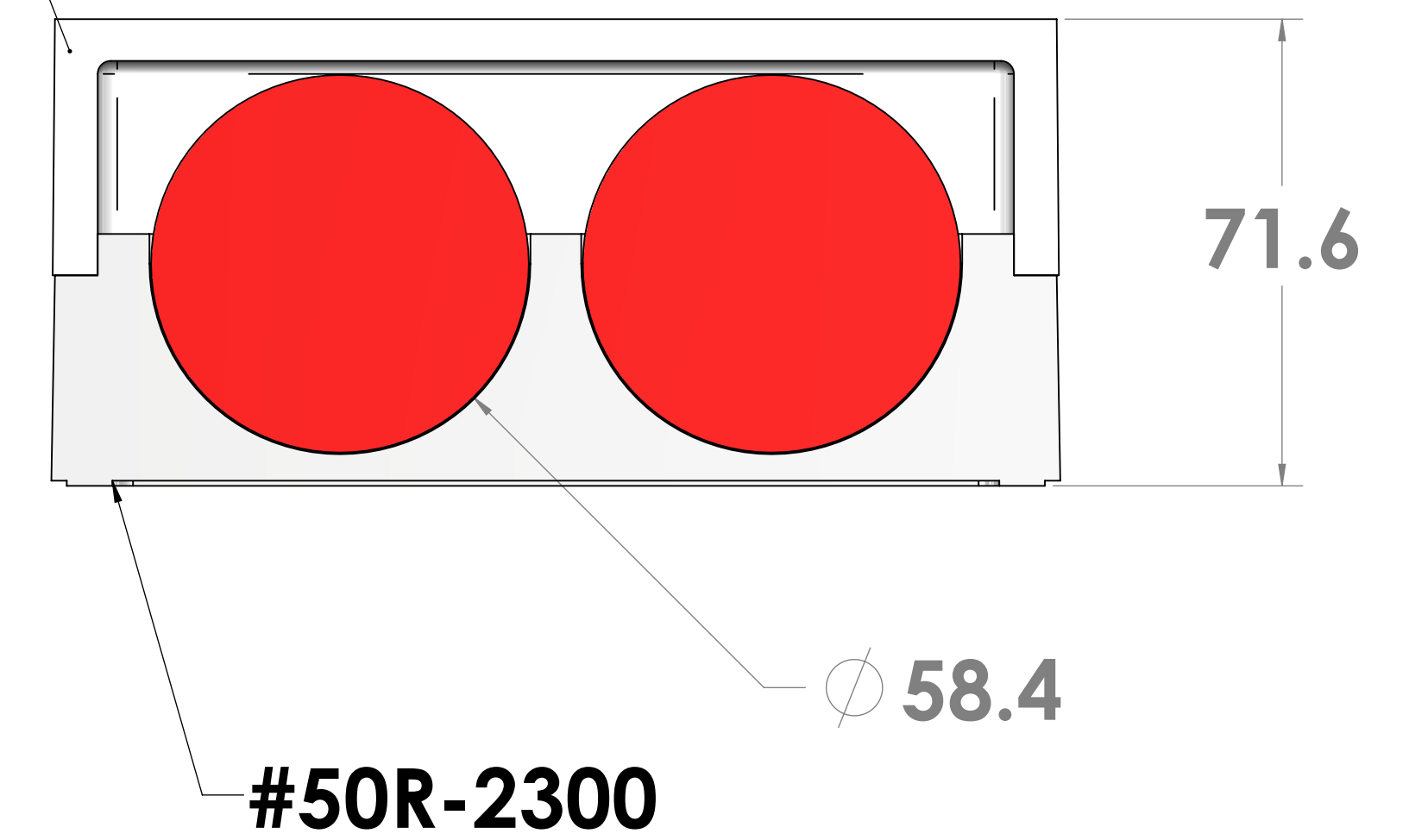


SECTION B-B



DETAIL C
SCALE 2 : 1

A208 Deep Lid



NOTE:

- 1) Material to be 64g/l Density (4.0 lb/ft3) Static Dissipative EPS
- 2) 1 Degree Draft TYP
- 3) Dimensions shown in Millimeters

PROPRIETARY AND CONFIDENTIAL
THE INFORMATION CONTAINED IN THIS DRAWING IS THE SOLE PROPERTY OF TEMPO PLASTIC CO., INC. ANY REPRODUCTION IN PART OR AS A WHOLE WITHOUT THE WRITTEN PERMISSION OF TEMPO PLASTIC CO., INC IS PROHIBITED.

UNLESS OTHERWISE SPECIFIED:		NAME	DATE	TEMPO PLASTIC CO., INC.
DIMENSIONS ARE IN MM		JR	5/7/20	
TOLERANCES:		DRAWN		TITLE:
FRACTIONAL ±		CHECKED		#50R-2300
ANGULAR: MACH ± BEND ±		ENG APPR.		SIZE DWG. NO.
TWO PLACE DECIMAL ±		MFG APPR.		D A
THREE PLACE DECIMAL ±		Q.A.		SCALE: 1:1 WEIGHT:
INTERPRET GEOMETRIC TOLERANCING PER:		COMMENTS:		SHEET 1 OF 1
MATERIAL				
FINISH				
NEXT ASSY	USED ON			
APPLICATION	DO NOT SCALE DRAWING			