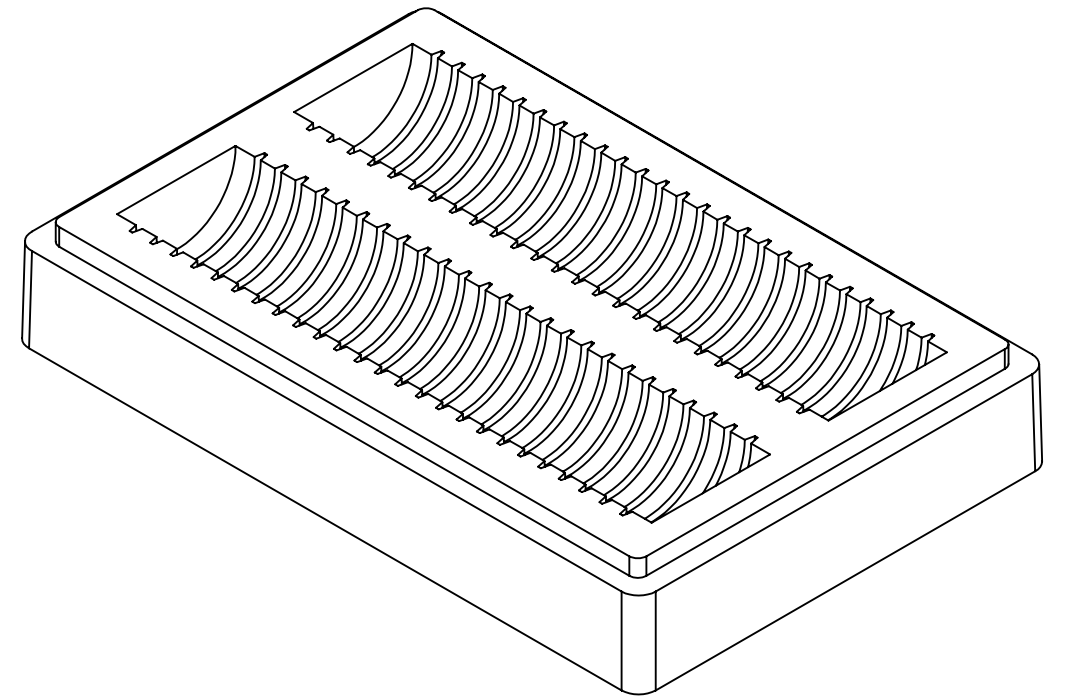
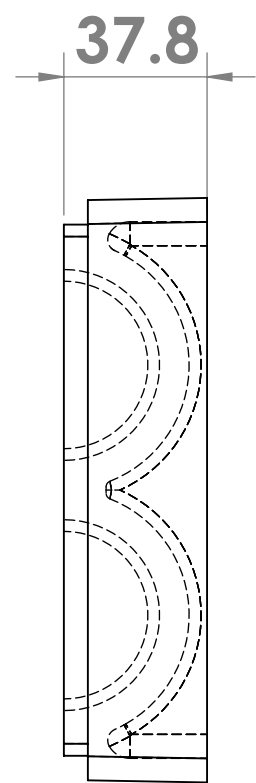
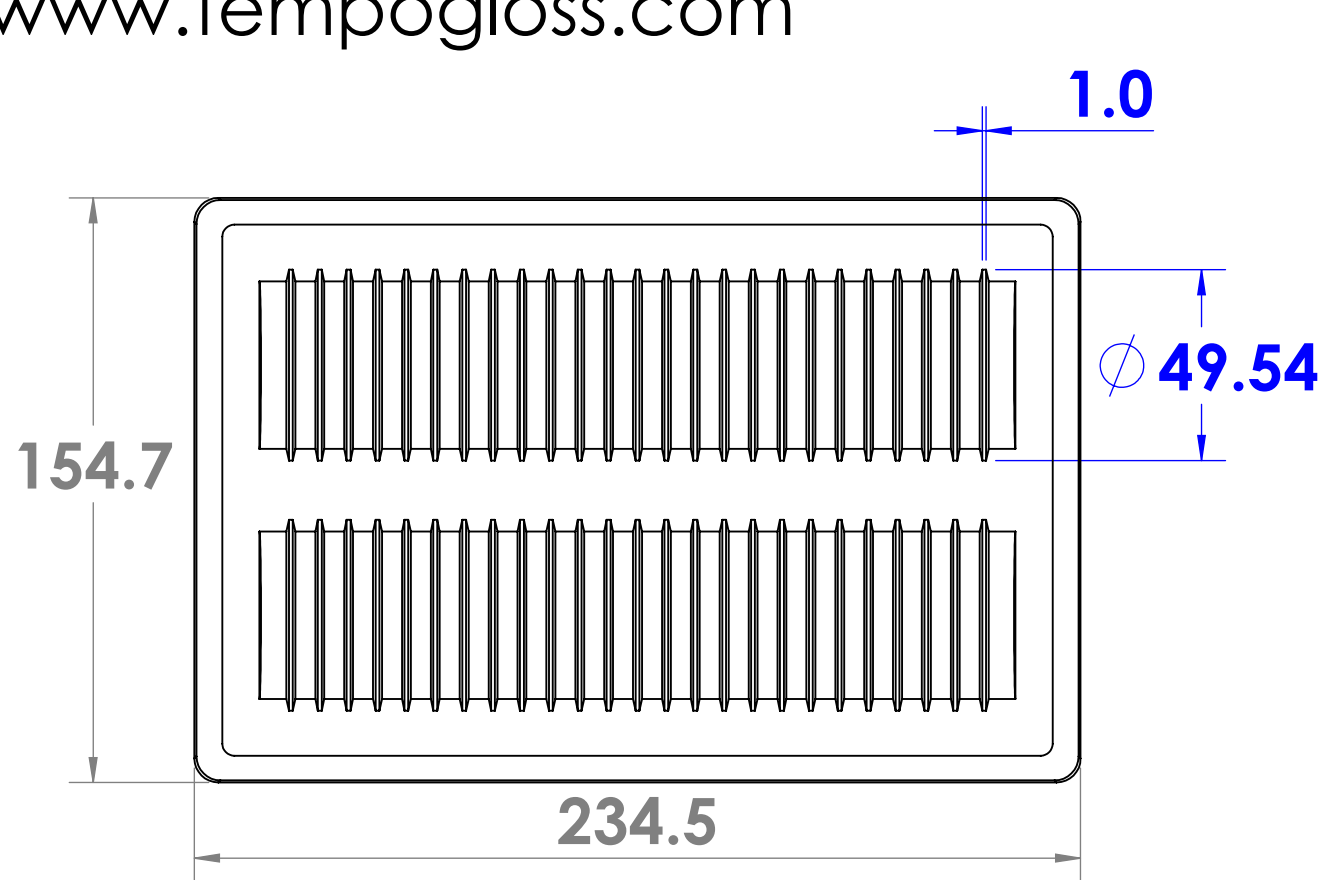
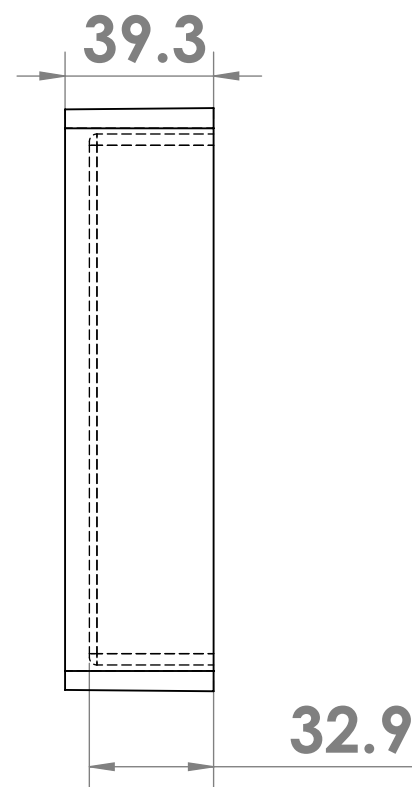


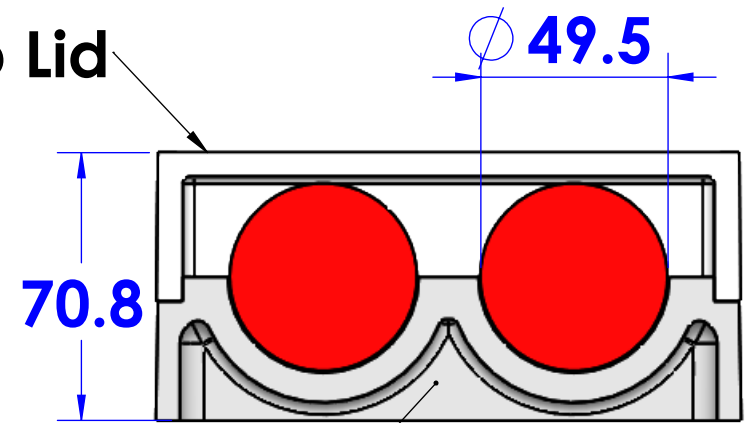
B



B



#201-01 Deep Lid



#50R-1950

**Note:**

- 1) Material To be 64g/l density (4.0 lb/ft<sup>3</sup>) Static Dissipative EPS
- 2) 1 Degree Draft TYP
- 3) Dimensions shown are in millimeters

**PROPRIETARY AND CONFIDENTIAL**  
 THE INFORMATION CONTAINED IN THIS DRAWING IS THE SOLE PROPERTY OF <INSERT COMPANY NAME HERE>. ANY REPRODUCTION IN PART OR AS A WHOLE WITHOUT THE WRITTEN PERMISSION OF <INSERT COMPANY NAME HERE> IS PROHIBITED.

NEXT ASSY	USED ON	FINISH
APPLICATION		DO NOT SCALE DRAWING

UNLESS OTHERWISE SPECIFIED:		NAME	DATE
DIMENSIONS ARE IN INCHES		Junior	12/26/24
TOLERANCES:			
FRACTIONAL ±			
ANGULAR: MACH ±			
BEND ±			
TWO PLACE DECIMAL ±			
THREE PLACE DECIMAL ±			
INTERPRET GEOMETRIC TOLERANCING PER:		Q.A.	
MATERIAL		COMMENTS:	
FINISH			

Tempo Plastic Co.			
TITLE:			
<b>#50R-1950</b>			
SIZE	DWG. NO.	REV	
<b>B</b>		<b>A</b>	
SCALE: 1:2	WEIGHT:	SHEET 1 OF 1	

4

3

2

1

A

A