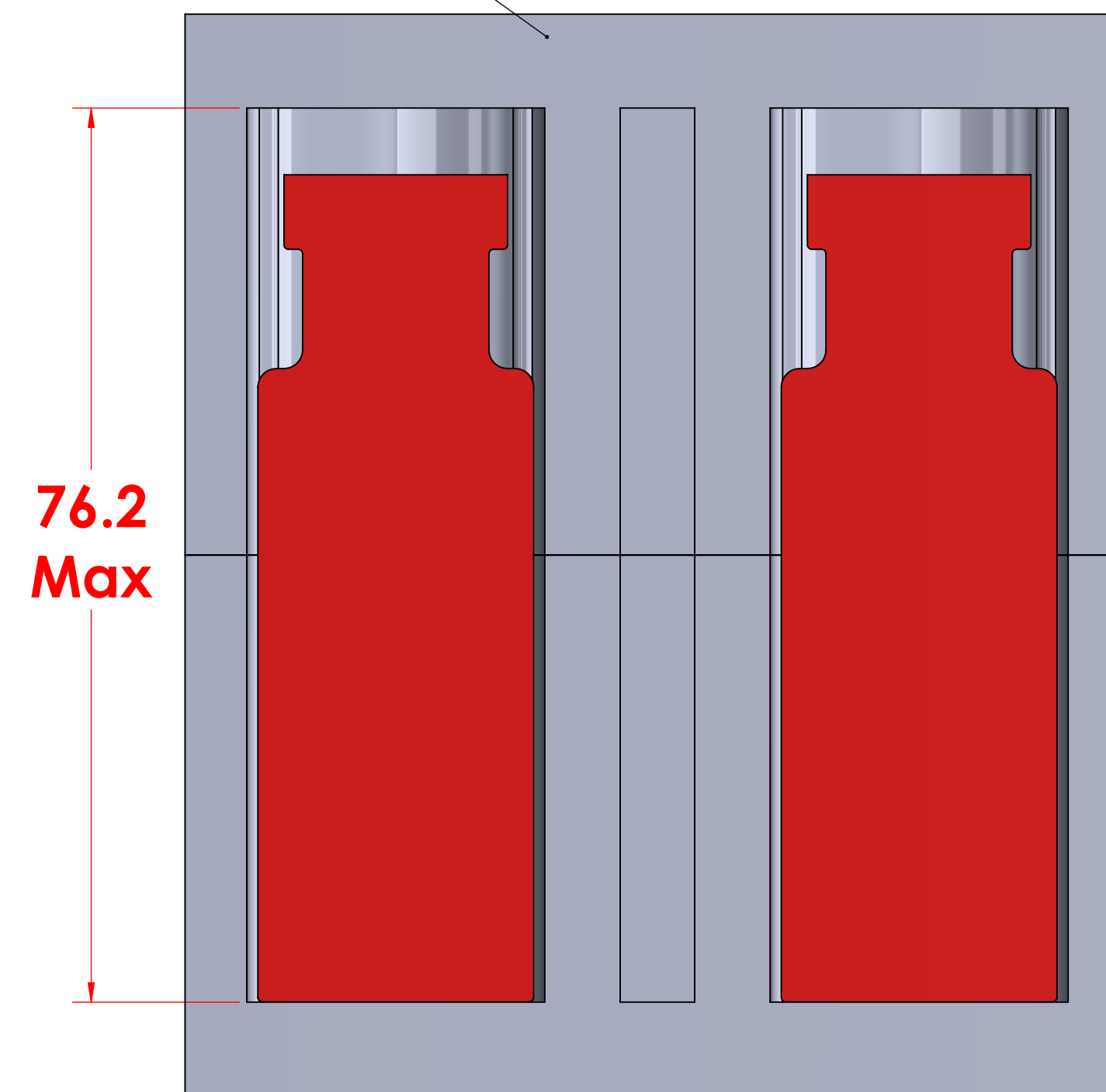


Note 3



Note:

- 1) Material To be 64g/l density (4.0 lb/ft³) EPS, Static Dissipative
- 2) 1 Degree Draft TYP
- 3) Second tray reversed on top creates an enclosed insulated shipper

PROPRIETARY AND CONFIDENTIAL
THE INFORMATION CONTAINED IN THIS DRAWING IS THE SOLE PROPERTY OF TEMPO PLASTIC CO., INC. ANY REPRODUCTION IN PART OR AS A WHOLE WITHOUT THE WRITTEN PERMISSION OF TEMPO PLASTIC CO., INC IS PROHIBITED.

UNLESS OTHERWISE SPECIFIED:		NAME	DATE	TEMPO PLASTIC CO., INC.
DIMENSIONS ARE IN MM		JR	3/8/18	
TOLERANCES:		DRAWN		TITLE:
FRACTIONAL ±		CHECKED		#4R-1000
ANGULAR: MACH ± BEND ±		ENG APPR.		SIZE DWG. NO.
TWO PLACE DECIMAL ±		MFG APPR.		D A
THREE PLACE DECIMAL ±		Q.A.		SCALE: 2:1 WEIGHT:
INTERPRET GEOMETRIC TOLERANCING PER:		COMMENTS:		SHEET 1 OF 1
MATERIAL		FINISH		
NEXT ASSY		USED ON		
APPLICATION		DO NOT SCALE DRAWING		