

4

3

2

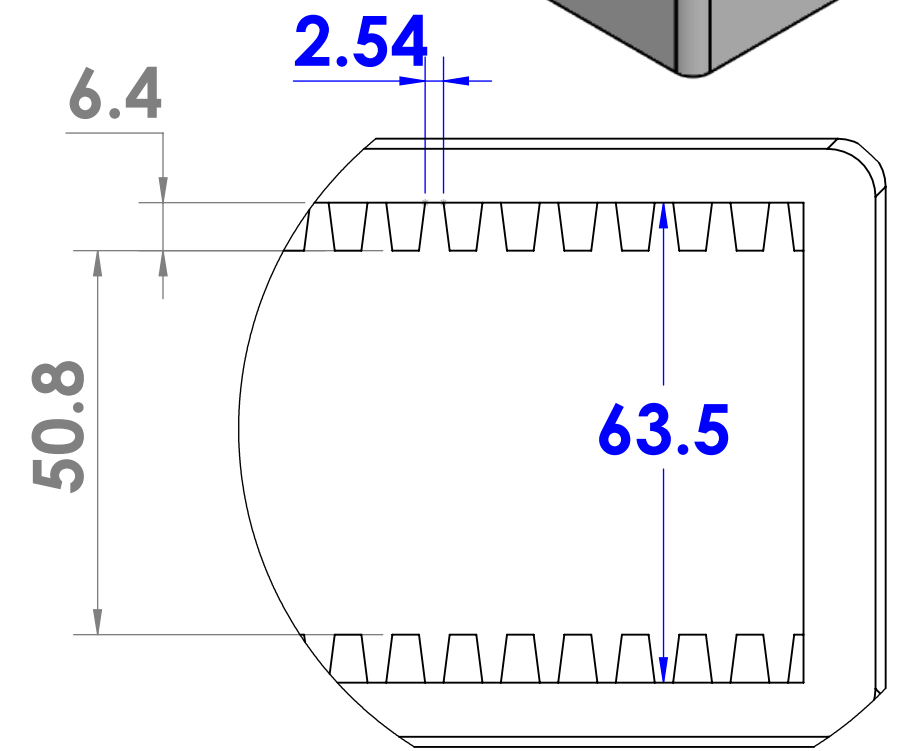
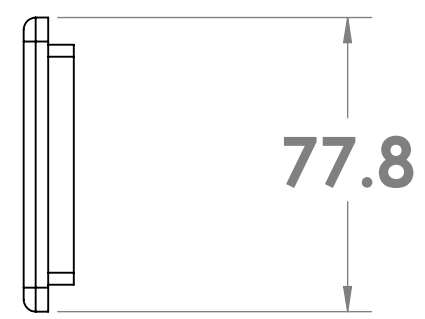
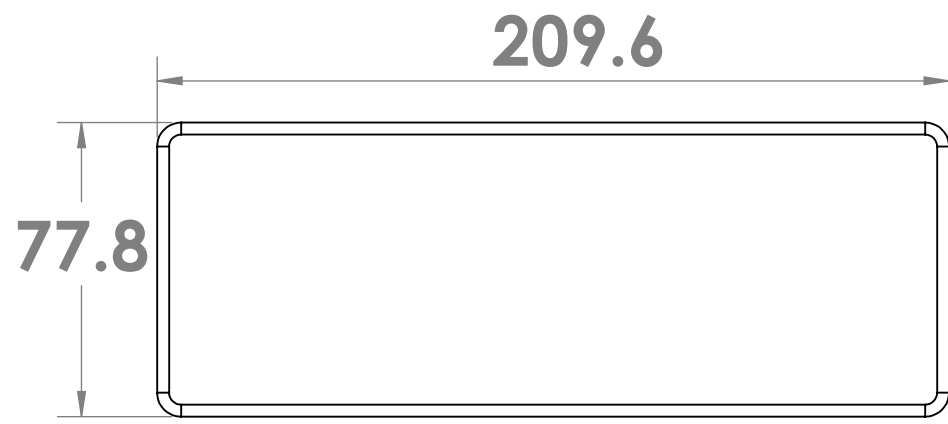
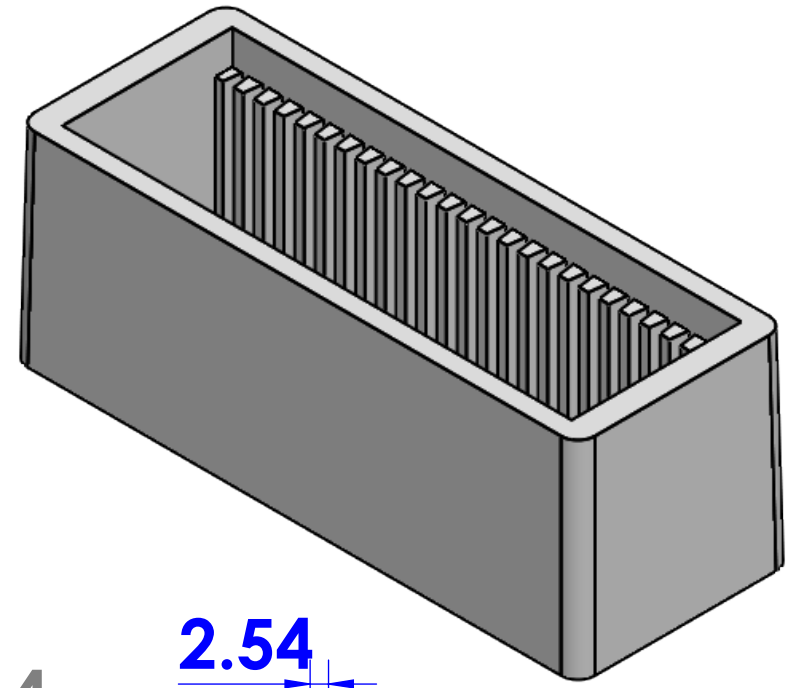
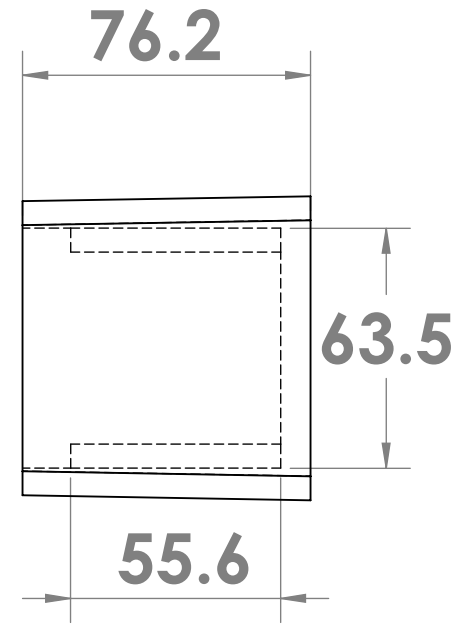
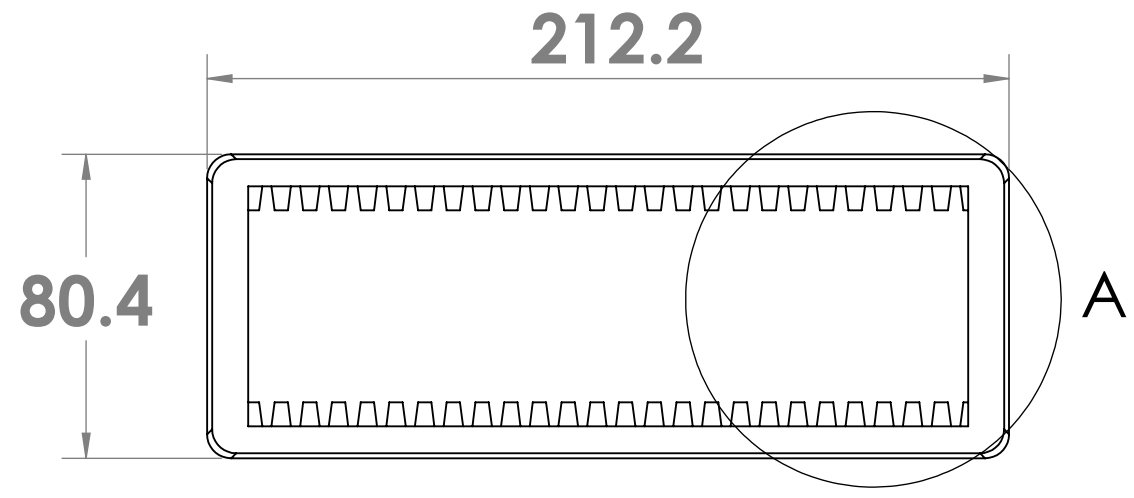
1

B

B

A

A

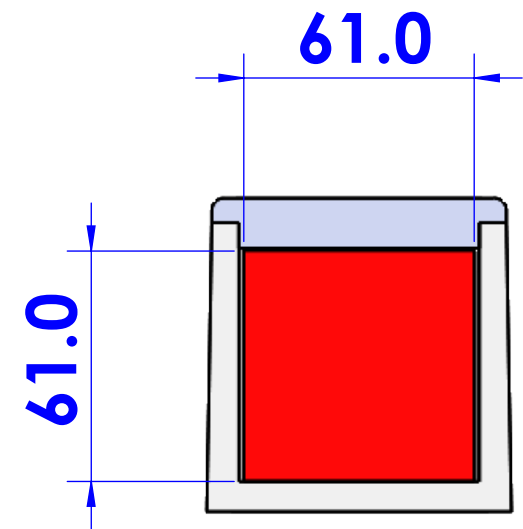


DETAIL A

SCALE 1:1

Note:

- 1) Material To be 64g/l density (4.0 lb/ft3) Static Dissipative EPS
- 2) 1 Degree Draft TYP
- 3) Dimensions shown are in millim



PROPRIETARY AND CONFIDENTIAL
 THE INFORMATION CONTAINED IN THIS DRAWING IS THE SOLE PROPERTY OF <INSERT COMPANY NAME HERE>. ANY REPRODUCTION IN PART OR AS A WHOLE WITHOUT THE WRITTEN PERMISSION OF <INSERT COMPANY NAME HERE> IS PROHIBITED.

UNLESS OTHERWISE SPECIFIED:		NAME	DATE
DIMENSIONS ARE IN INCHES		DRAWN	Junior
TOLERANCES:		CHECKED	9/48/24
FRACTIONAL ±		ENG APPR.	
ANGULAR: MACH ±		MFG APPR.	
BEND ±		Q.A.	
TWO PLACE DECIMAL ±		COMMENTS:	
THREE PLACE DECIMAL ±			
INTERPRET GEOMETRIC TOLERANCING PER:	MATERIAL		
FINISH			
NEXT ASSY	USED ON		
APPLICATION	DO NOT SCALE DRAWING		

Tempo Plastic Co.			
TITLE:			
36S-2440			
SIZE	DWG. NO.	REV	
B		A	
SCALE: 1:2	WEIGHT:	SHEET 1 OF 1	

4

3

2

1