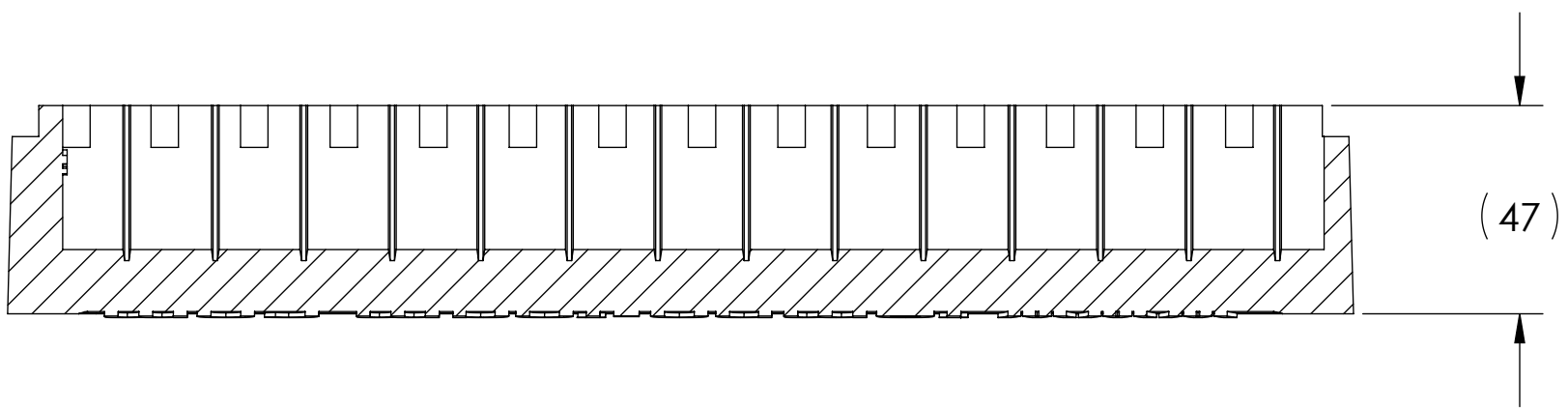
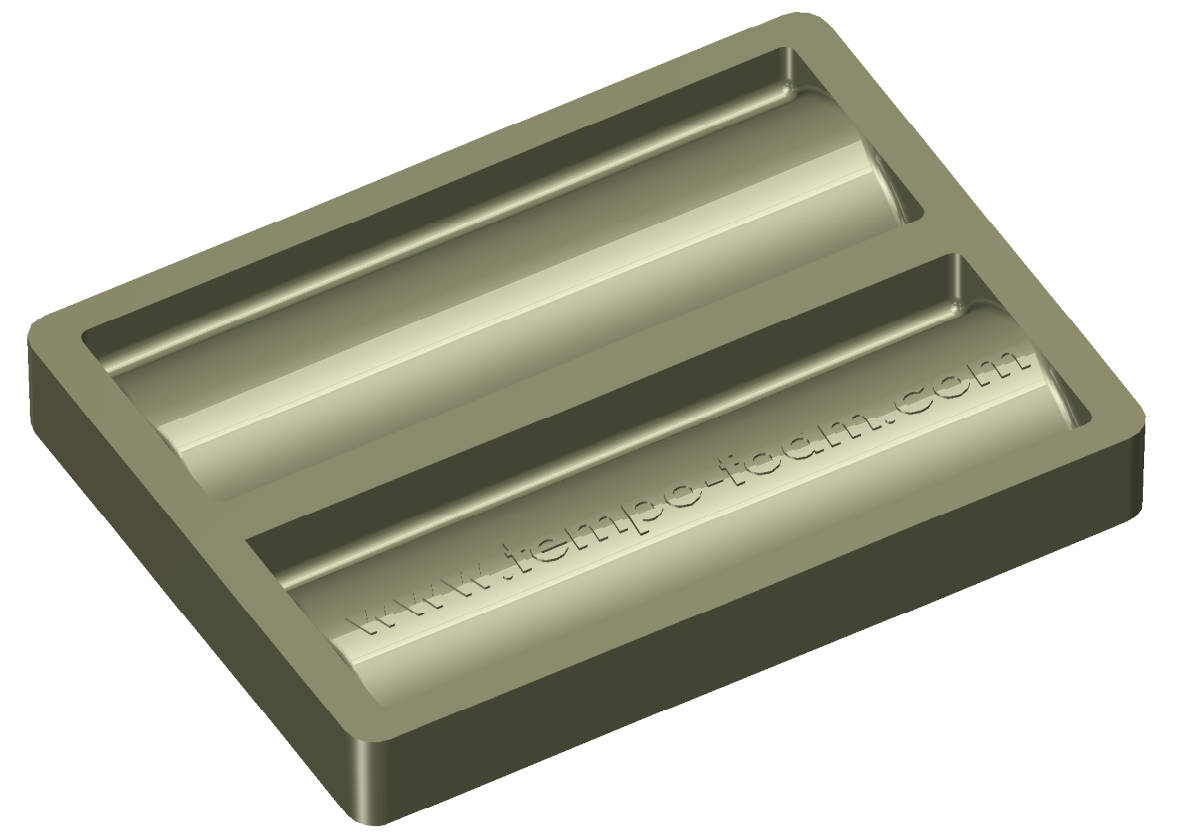


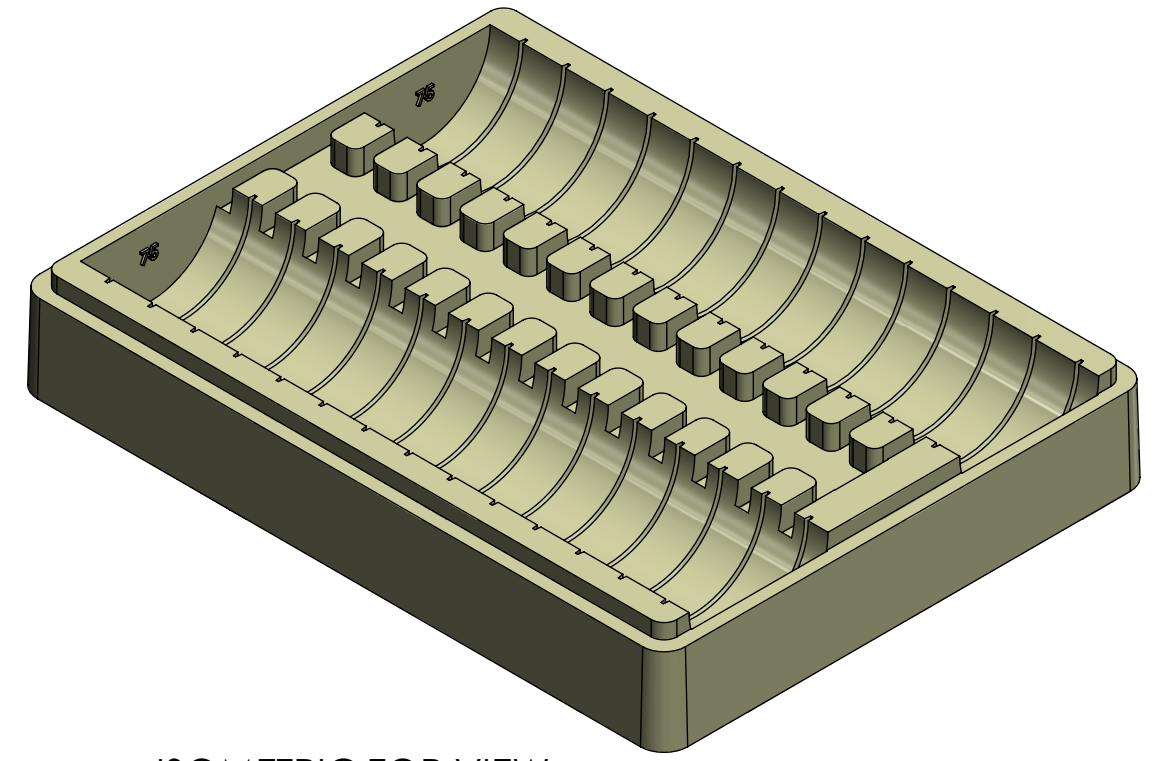
SECTION A-A
SCALE 1 : 1.65



SECTION B-B
SCALE 1 : 1.65



ISOMETRIC BOTTOM VIEW



ISOMETRIC TOP VIEW

Note:
 1) Material To be 64g/l density (4.0 lb/ft³) EPS, Static Dissipative
 2) 1 Degree Draft TYP

www.tempogloss.com

PROPRIETARY AND CONFIDENTIAL
 THE INFORMATION CONTAINED IN THIS DRAWING IS THE SOLE PROPERTY OF TEMPO PLASTIC CO., INC. ANY REPRODUCTION IN PART OR AS A WHOLE WITHOUT THE WRITTEN PERMISSION OF TEMPO PLASTIC CO., INC. IS PROHIBITED.

UNLESS OTHERWISE SPECIFIED:		NAME	DATE	TEMPO PLASTIC CO., INC. 1227 N. MILLER PARK COURT VISALIA, CA 93291
DIMENSIONS ARE IN INCHES		DRAWN	JR	3/27/2019
TOLERANCES:		CHECKED		
FRACTIONAL ±		ENG APPR.		
ANGULAR: MACH ±		MFG APPR.		
BEND ±		Q.A.		
TWO PLACE DECIMAL ±		COMMENTS:		
THREE PLACE DECIMAL ±				
INTERPRET GEOMETRIC TOLERANCING PER:				
MATERIAL				
FINISH				
NEXT ASSY	USED ON			
APPLICATION	DO NOT SCALE DRAWING			
TITLE:				#30R-2960
SIZE	DWG. NO.	REV		
C	112204JRE			
SCALE: 1:2	WEIGHT:	SHEET 1 OF 1		