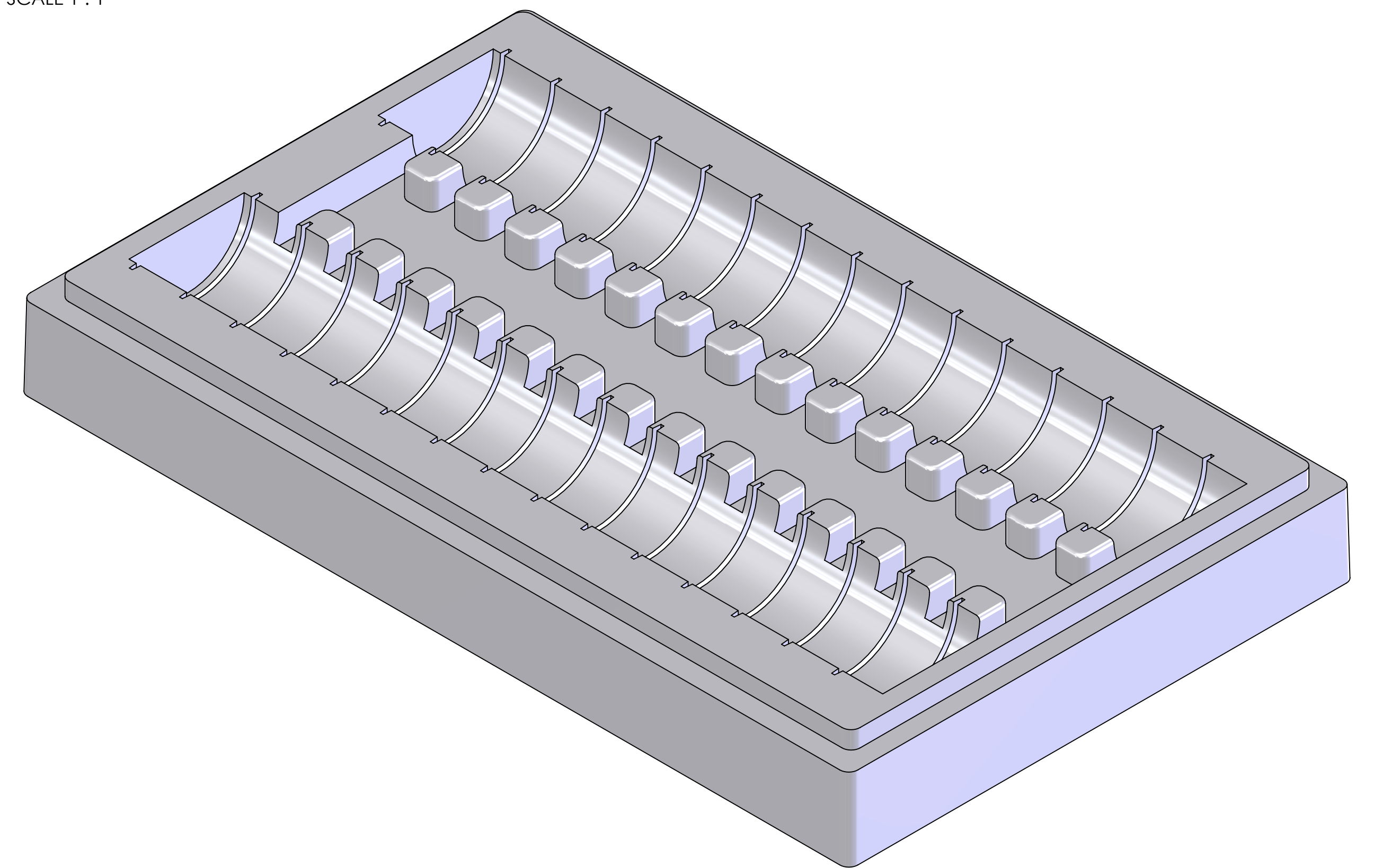
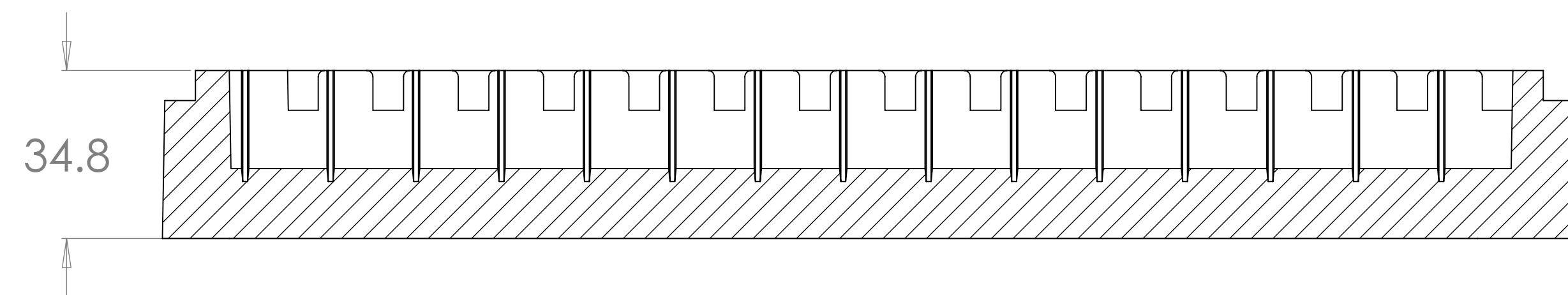


Note:

- 1) Material To be 64g/l density (4.0 lb/ft3) EPS
- 2) 1 Degree Draft TYP
- 3) Volume = 70.9 cubic inches



**PROPRIETARY AND CONFIDENTIAL**  
THE INFORMATION CONTAINED IN THIS DRAWING IS THE SOLE PROPERTY OF Tempo Plastic Co., Inc. ANY REPRODUCTION IN PART OR AS A WHOLE WITHOUT THE WRITTEN PERMISSION OF Tempo Plastic Co., Inc IS PROHIBITED.

UNLESS OTHERWISE SPECIFIED:		NAME	DATE
DIMENSIONS ARE IN Millimeters		Cuaron	8/16/05
TOLERANCES:			
FRACTIONAL ±			
ANGULAR MATCH ±			
BEND ±			
TWO PLACE DECIMAL ±			
THREE PLACE DECIMAL ±			
INTERPRET GEOMETRIC TOLERANCING PER:			
MATERIAL			
		Q.A.	
		COMMENTS:	
NEXT ASSY	USED ON	FINISH	
APPLICATION			

<b>Tempo Plastic Co., Inc</b>		
TITLE:		
<b>#30R-1811</b>		
SIZE	DWG. NO.	REV
<b>D</b>	<b>1</b>	
SCALE: 1:1	SHEET 1 OF 1	

REV  
D 30R-1811