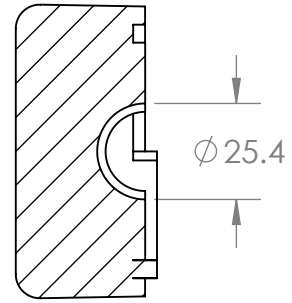
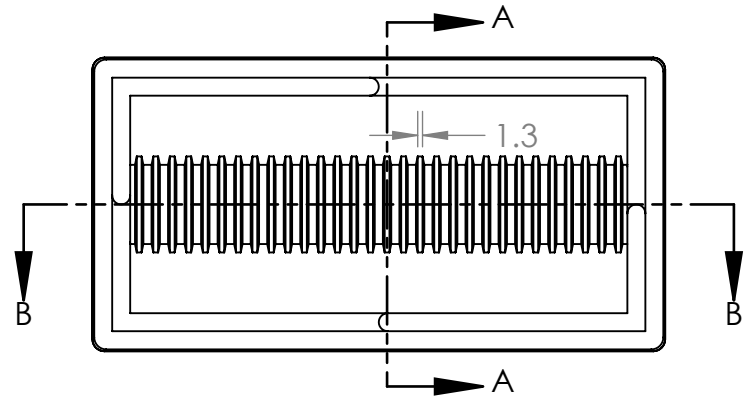
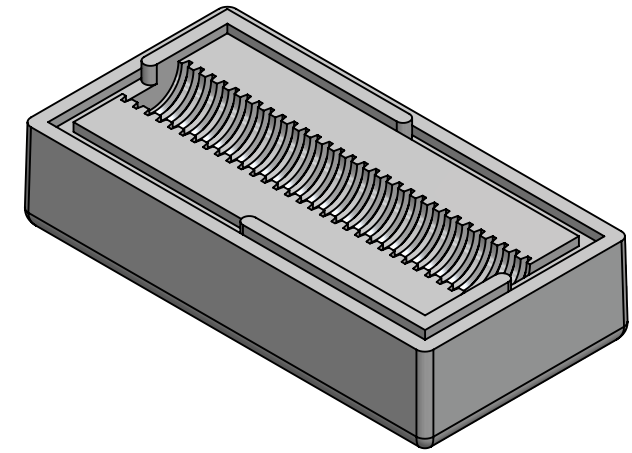


D

D

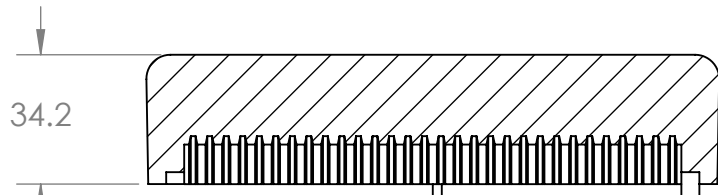


SECTION A-A  
SCALE 1 : 2

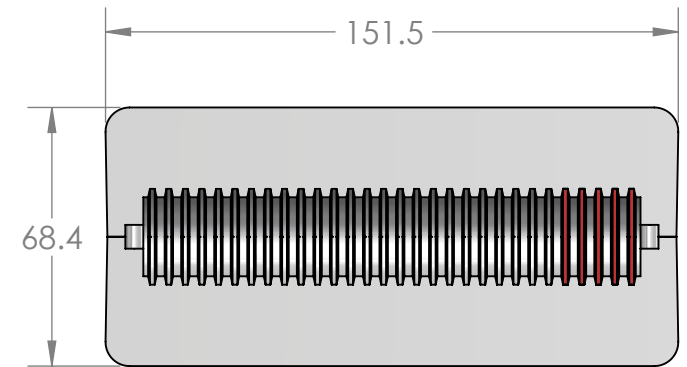


C

C



SECTION B-B  
SCALE 1 : 2



B

B

A

A

**Note:**  
 1) Material To be 64g/l density (4.0 lb/ft<sup>3</sup>) EPS, Static Dissipative  
 2) 1 Degree Draft TYP  
 3) Dimensions shown are in millimeters

**PROPRIETARY AND CONFIDENTIAL**  
 THE INFORMATION CONTAINED IN THIS DRAWING IS THE SOLE PROPERTY OF **TEMPO PLASTIC CO., INC.** ANY REPRODUCTION IN PART OR AS A WHOLE WITHOUT THE WRITTEN PERMISSION OF **TEMPO PLASTIC CO., INC.** IS PROHIBITED.

NEXT ASSY	USED ON	
APPLICATION		DO NOT SCALE DRAWING

UNLESS OTHERWISE SPECIFIED:  
 DIMENSIONS ARE IN MM  
 TOLERANCES:  
 FRACTIONAL ±  
 ANGULAR: MACH ± BEND ±  
 TWO PLACE DECIMAL ±  
 THREE PLACE DECIMAL ±

INTERPRET GEOMETRIC TOLERANCING PER:  
 MATERIAL  
 FINISH

	NAME	DATE
DRAWN	JR	4/30/20
CHECKED		
ENG APPR.		
MFG APPR.		
Q.A.		
COMMENTS:		

<b>TEMPO PLASTIC CO., INC.</b>		
TITLE: <b>30R-1000</b>		
SIZE <b>B</b>	DWG. NO.	REV <b>A</b>
SCALE: 1:2	WEIGHT:	SHEET 1 OF 1