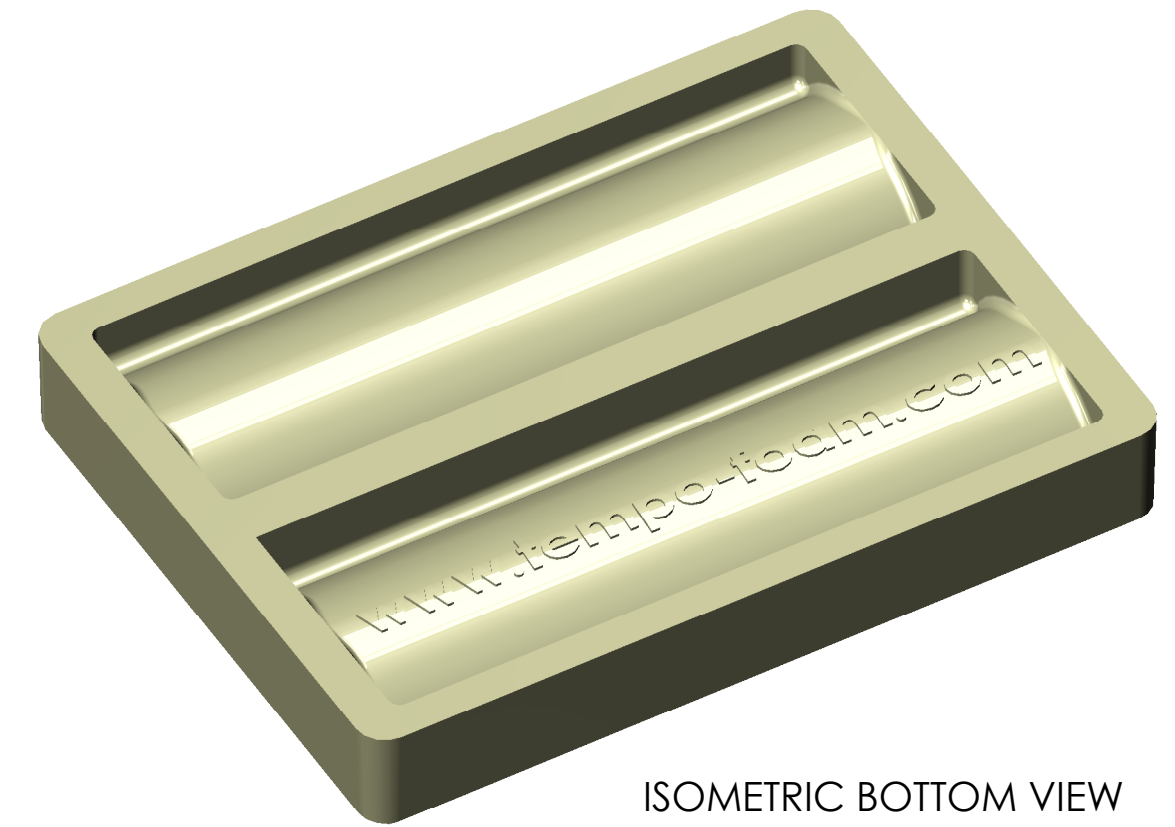
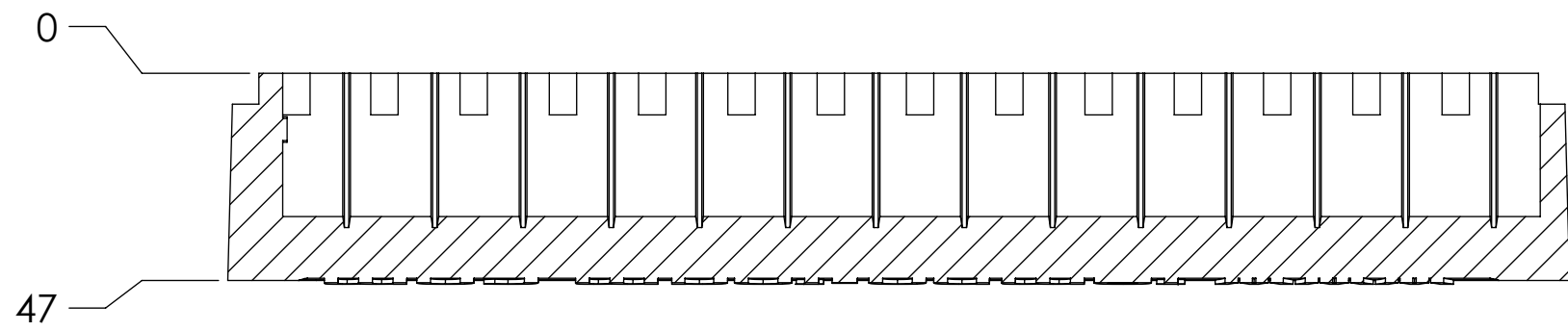


SECTION A-A
SCALE 1 : 1.65

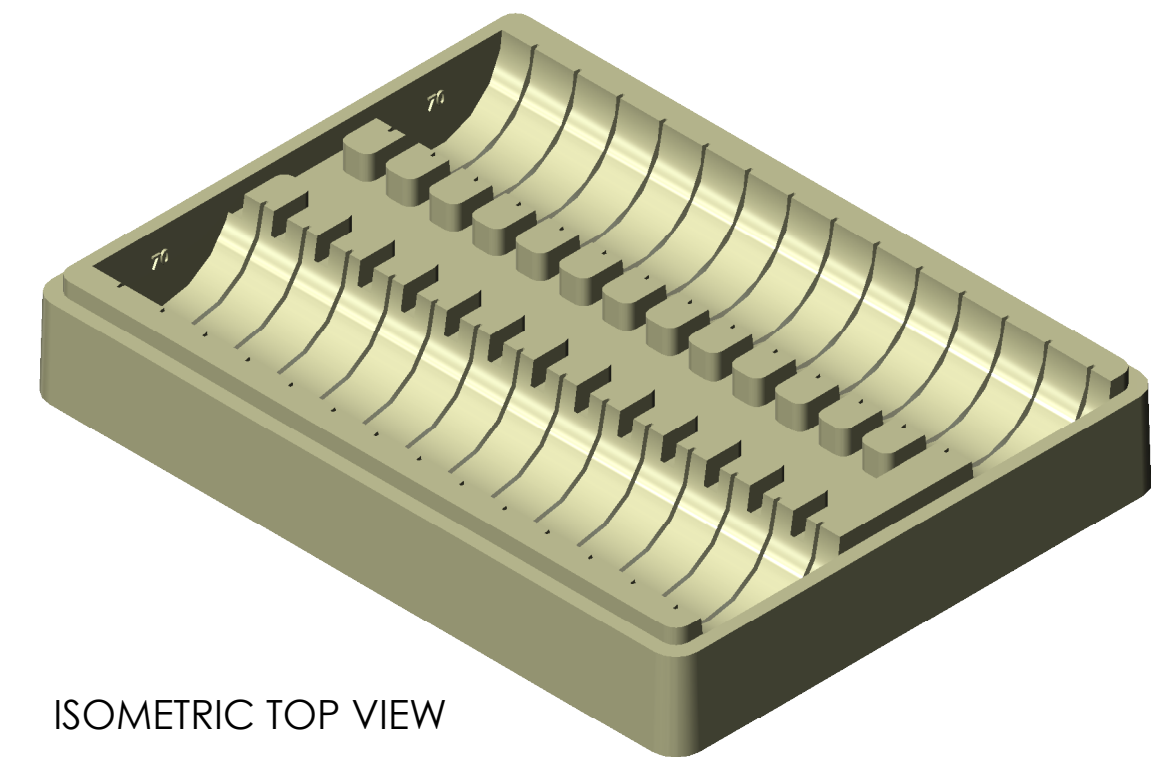


ISOMETRIC BOTTOM VIEW



SECTION B-B
SCALE 1 : 1.65

- Note:**
- 1) Material To be 64g/l density (4.0 lb/ft³) EPS, Static Dissipative
 - 2) 1 Degree Draft TYP



ISOMETRIC TOP VIEW

PROPRIETARY AND CONFIDENTIAL
THE INFORMATION CONTAINED IN THIS DRAWING IS THE SOLE PROPERTY OF TEMPO PLASTIC CO., INC. ANY REPRODUCTION IN PART OR AS A WHOLE WITHOUT THE WRITTEN PERMISSION OF TEMPO PLASTIC CO., INC. IS PROHIBITED.

| | | | | |
|--------------------------------------|----------------------|--------------|---------|---|
| UNLESS OTHERWISE SPECIFIED: | | NAME | DATE | TEMPO PLASTIC CO., INC. 1227 N. MILLER PARK COURT VISALIA, CA 93291 |
| DIMENSIONS ARE IN MM | | DRAWN | J ELLIS | 22Nov04 |
| TOLERANCES: | | CHECKED | DBR | 22Nov04 |
| FRACTIONAL ± | | ENG APPR. | | |
| ANGULAR: MATCH ± | | MFG APPR. | DBR | 22Nov04 |
| BEND ± | | Q.A. | | |
| TWO PLACE DECIMAL ± | | COMMENTS: | | |
| THREE PLACE DECIMAL ± | | | | |
| INTERPRET GEOMETRIC TOLERANCING PER: | | | | |
| MATERIAL | | | | |
| FINISH | | | | |
| NEXT ASSY | USED ON | | | |
| APPLICATION | DO NOT SCALE DRAWING | | | |
| | | TITLE: | | #28R-2755 |
| SIZE | DWG. NO. | REV | | |
| C | 112204JRE | | | |
| SCALE: 1:2 | WEIGHT: | SHEET 1 OF 1 | | |