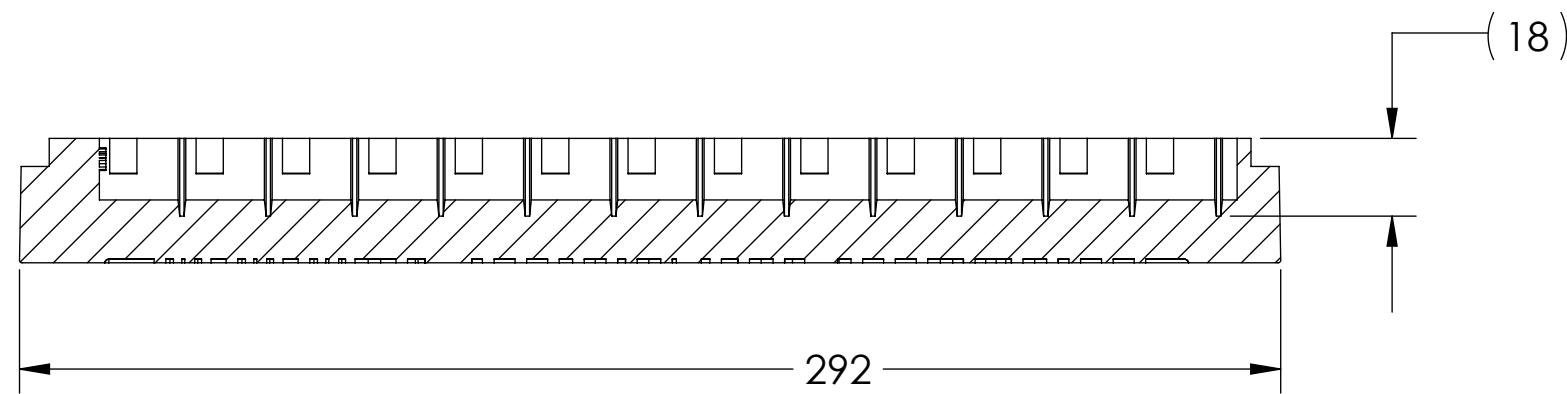
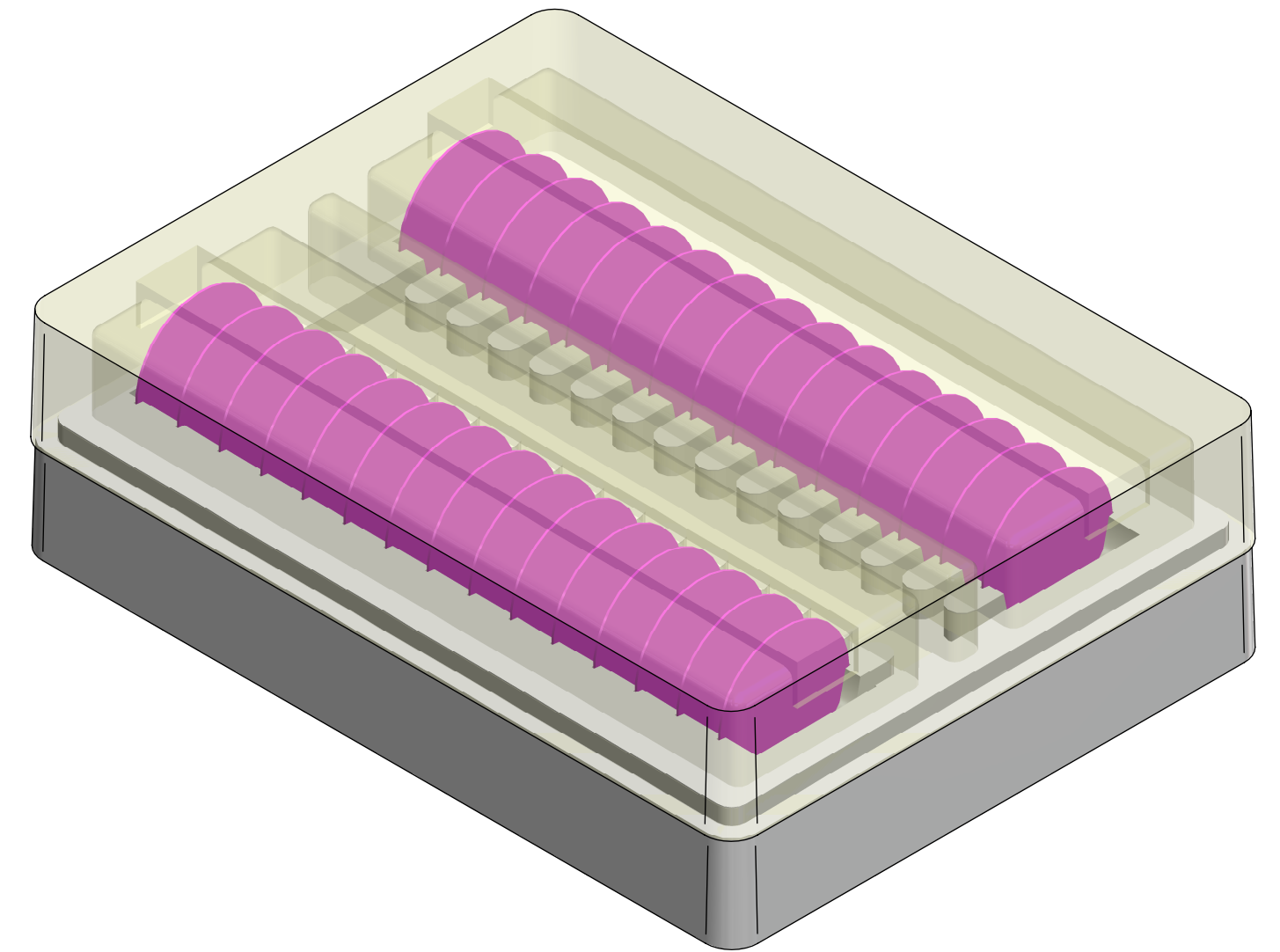


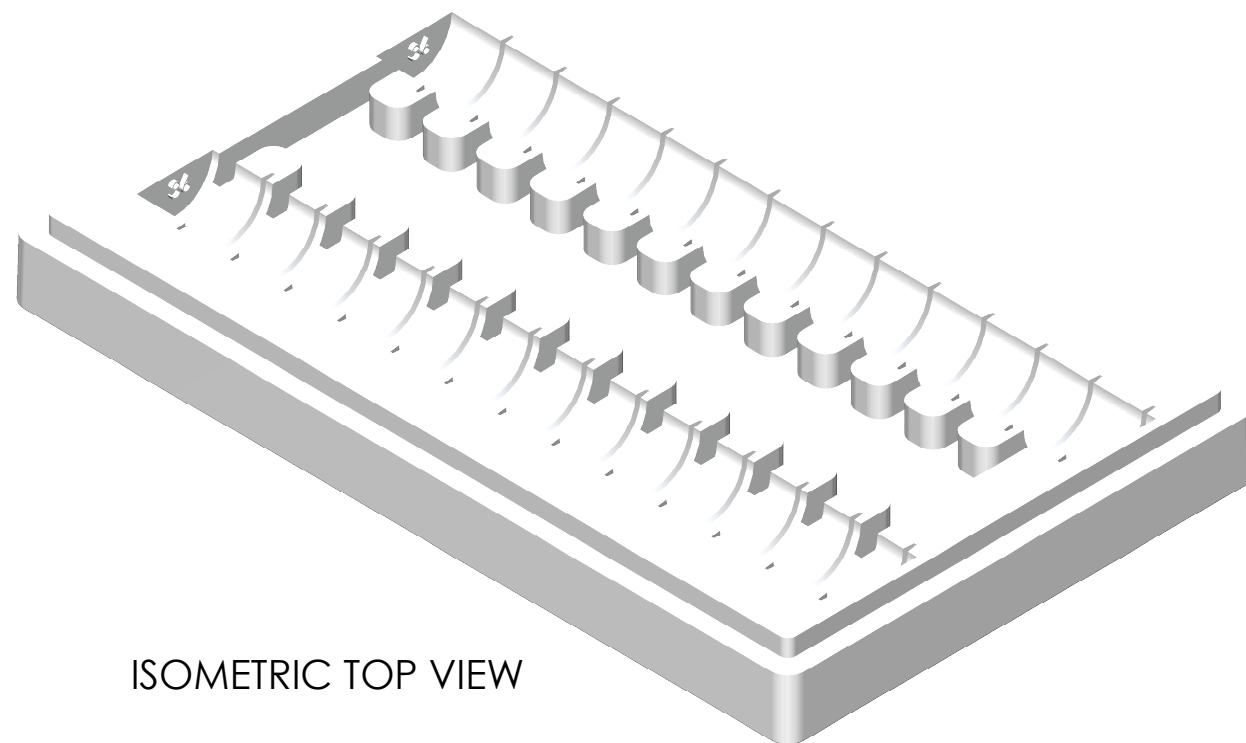
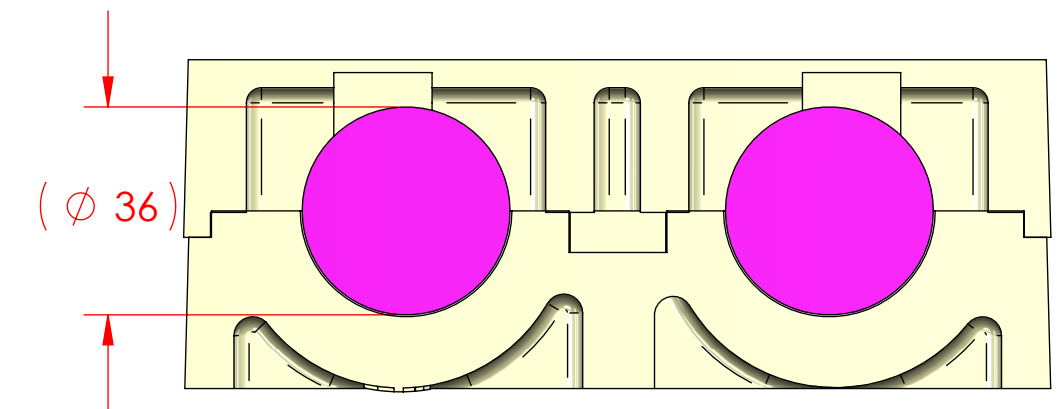
SECTION A-A
SCALE 1 : 1.75



SECTION B-B
SCALE 1 : 1.75

Note:

- 1) Material To be 64g/l density (4.0 lb/ft³) EPS, Static Dissipative
- 2) 1 Degree Draft TYP
- 3) Dimensions shown are in millimeters



ISOMETRIC TOP VIEW

PROPRIETARY AND CONFIDENTIAL
THE INFORMATION CONTAINED IN THIS DRAWING IS THE SOLE PROPERTY OF TEMPO PLASTIC CO., INC. ANY REPRODUCTION IN PART OR AS A WHOLE WITHOUT THE WRITTEN PERMISSION OF TEMPO PLASTIC CO., INC. IS PROHIBITED.

UNLESS OTHERWISE SPECIFIED:		NAME	DATE	TEMPO PLASTIC CO., INC. 1227 N. MILLER PARK COURT VISALIA, CA 93291
DIMENSIONS ARE IN INCHES		DRAWN	JR	2/20/18
TOLERANCES:		CHECKED		
FRACTIONAL ±		ENG APPR.		
ANGULAR: MACH ±		MFG APPR.		
BEND ±		Q.A.		
TWO PLACE DECIMAL ±		COMMENTS:		
THREE PLACE DECIMAL ±				
INTERPRET GEOMETRIC TOLERANCING PER:				
MATERIAL				
FINISH				
NEXT ASSY	USED ON			
APPLICATION	DO NOT SCALE DRAWING			
TITLE:			#26R-1425	
SIZE	DWG. NO.	REV		
C		A		
SCALE: 1:2	WEIGHT:	SHEET 1 OF 1		