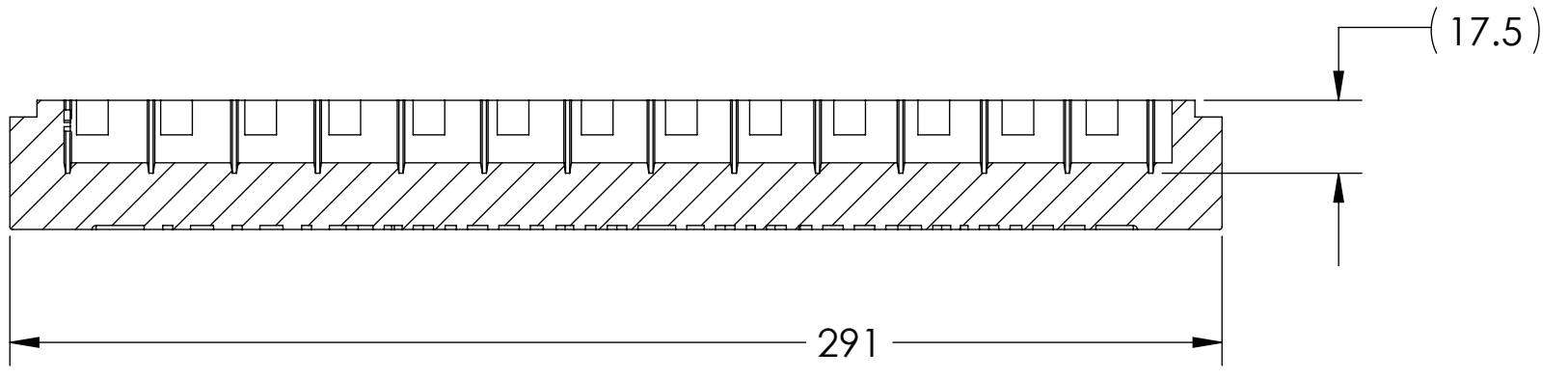
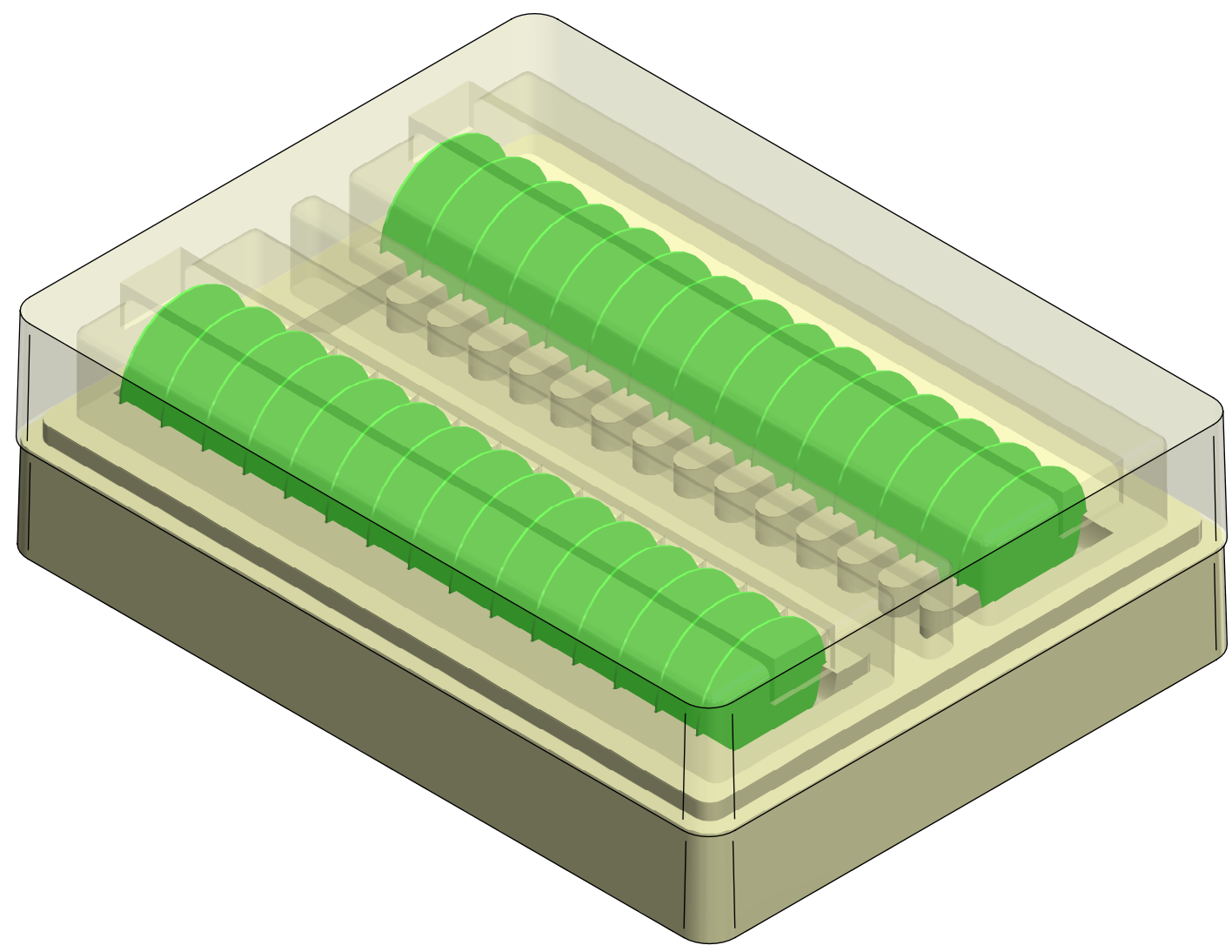
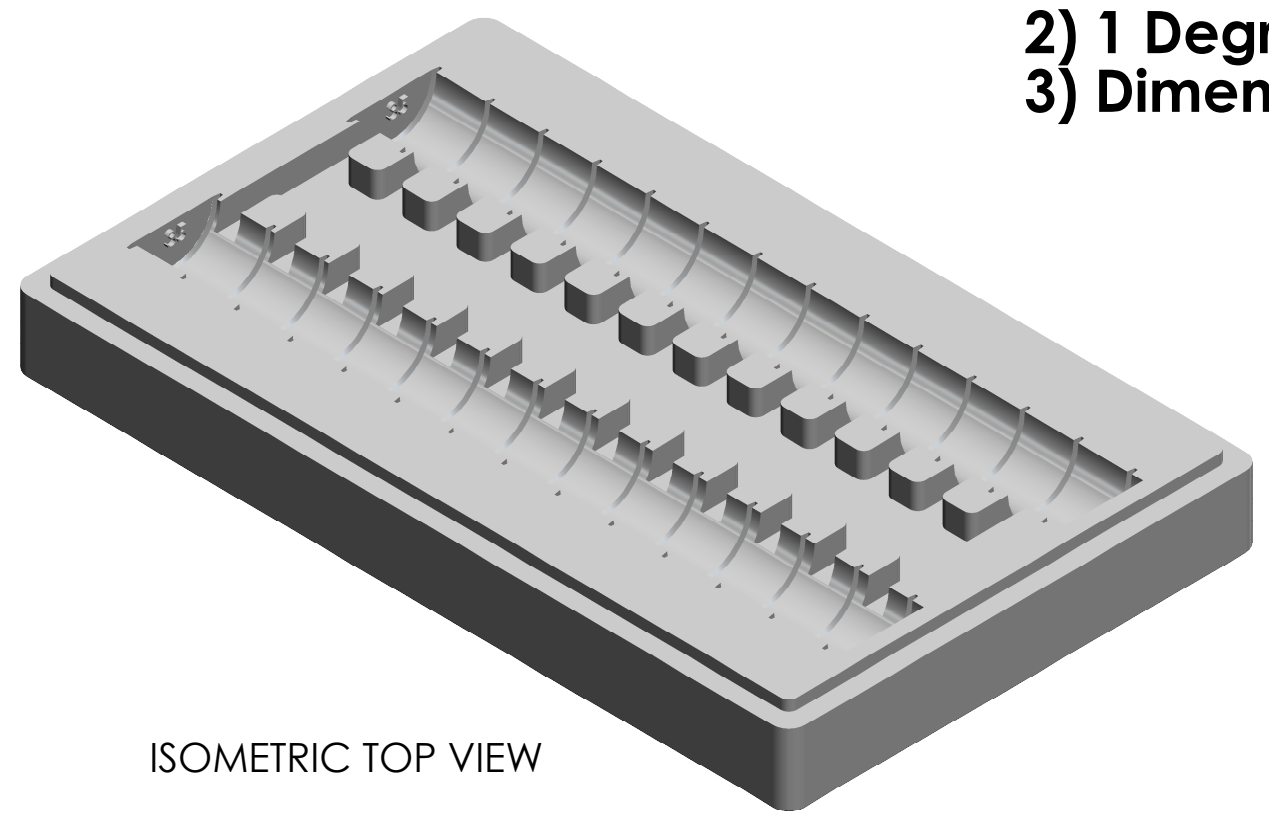


SECTION A-A  
SCALE 1 : 1.75

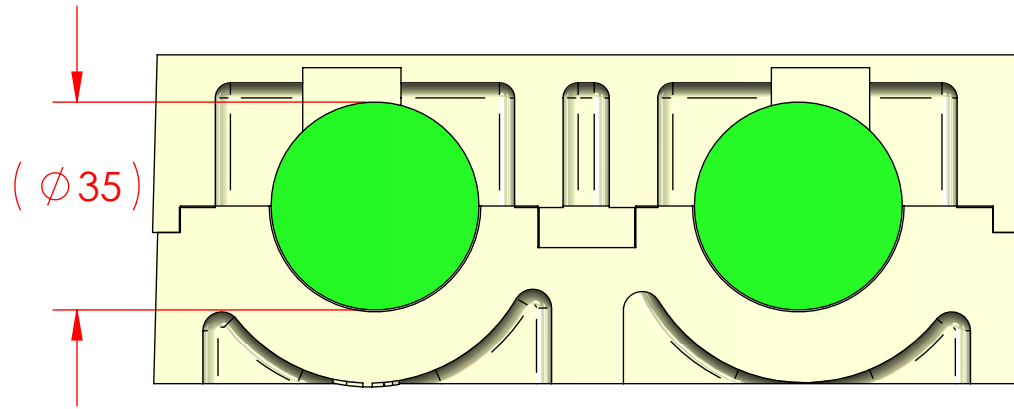


SECTION B-B  
SCALE 1 : 1.75

- Note:**
- 1) Material To be 64g/l density (4.0 lb/ft<sup>3</sup>) EPS, Static Dissipative
  - 2) 1 Degree Draft TYP
  - 3) Dimensions shown are in millimeters



ISOMETRIC TOP VIEW



**PROPRIETARY AND CONFIDENTIAL**  
THE INFORMATION CONTAINED IN THIS DRAWING IS THE SOLE PROPERTY OF TEMPO PLASTIC CO., INC. ANY REPRODUCTION IN PART OR AS A WHOLE WITHOUT THE WRITTEN PERMISSION OF TEMPO PLASTIC CO., INC. IS PROHIBITED.

UNLESS OTHERWISE SPECIFIED:		NAME	DATE	TEMPO PLASTIC CO., INC. 1227 N. MILLER PARK COURT VISALIA, CA 93291
DIMENSIONS ARE IN MM		JR	2/20/18	TITLE:
TOLERANCES:		#26R-1388  SIZE DWG. NO. REV <b>C</b> <b>A</b>		
FRACTIONAL ±				
ANGULAR: MATCH ± BEND ±				
TWO PLACE DECIMAL ±				
THREE PLACE DECIMAL ±		COMMENTS:		
INTERPRET GEOMETRIC TOLERANCING PER:		MFG APPR.		
MATERIAL		Q.A.		
FINISH		DO NOT SCALE DRAWING		
NEXT ASSY	USED ON	SCALE: 1:2 WEIGHT: SHEET 1 OF 1		
APPLICATION				