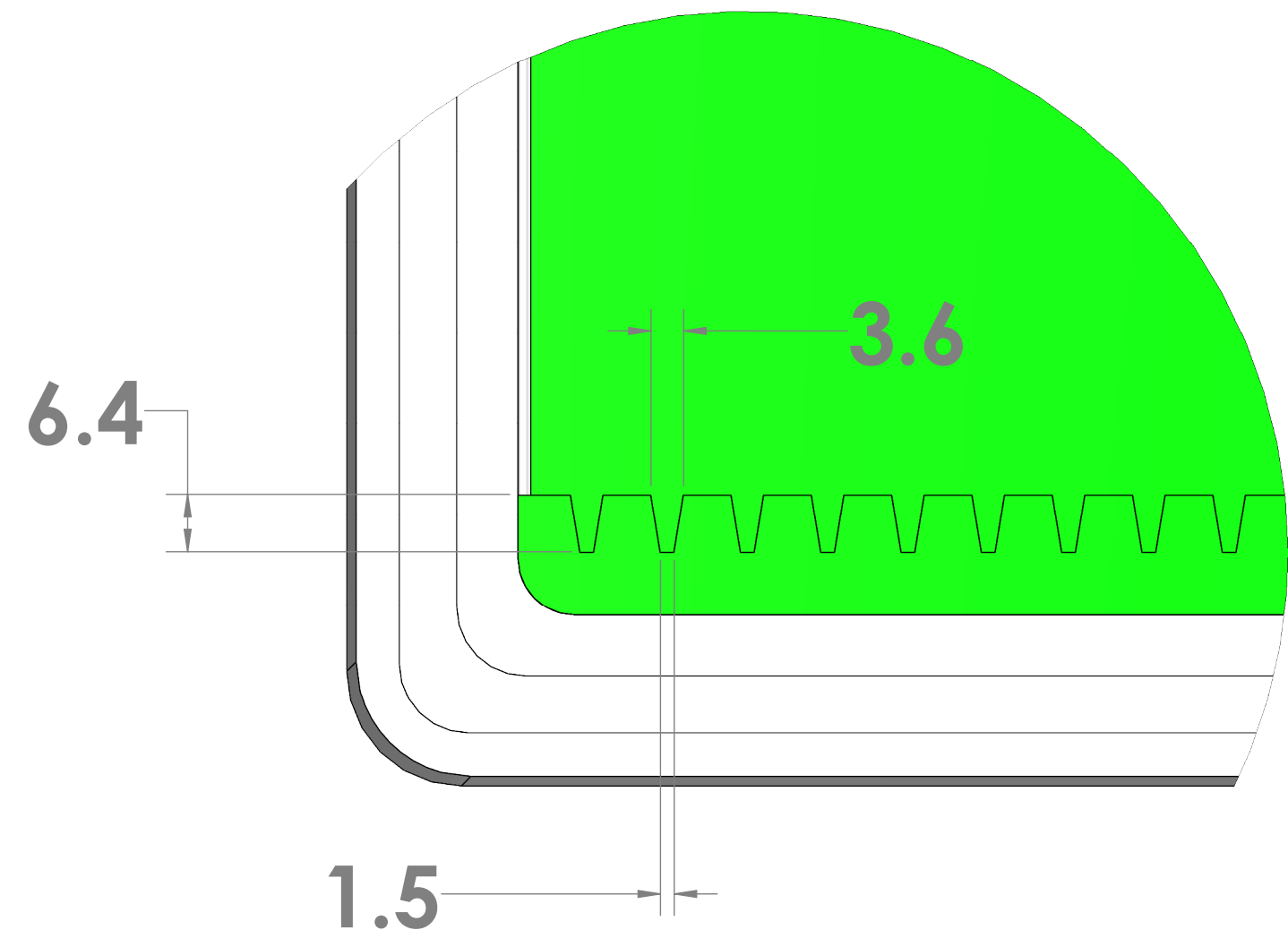
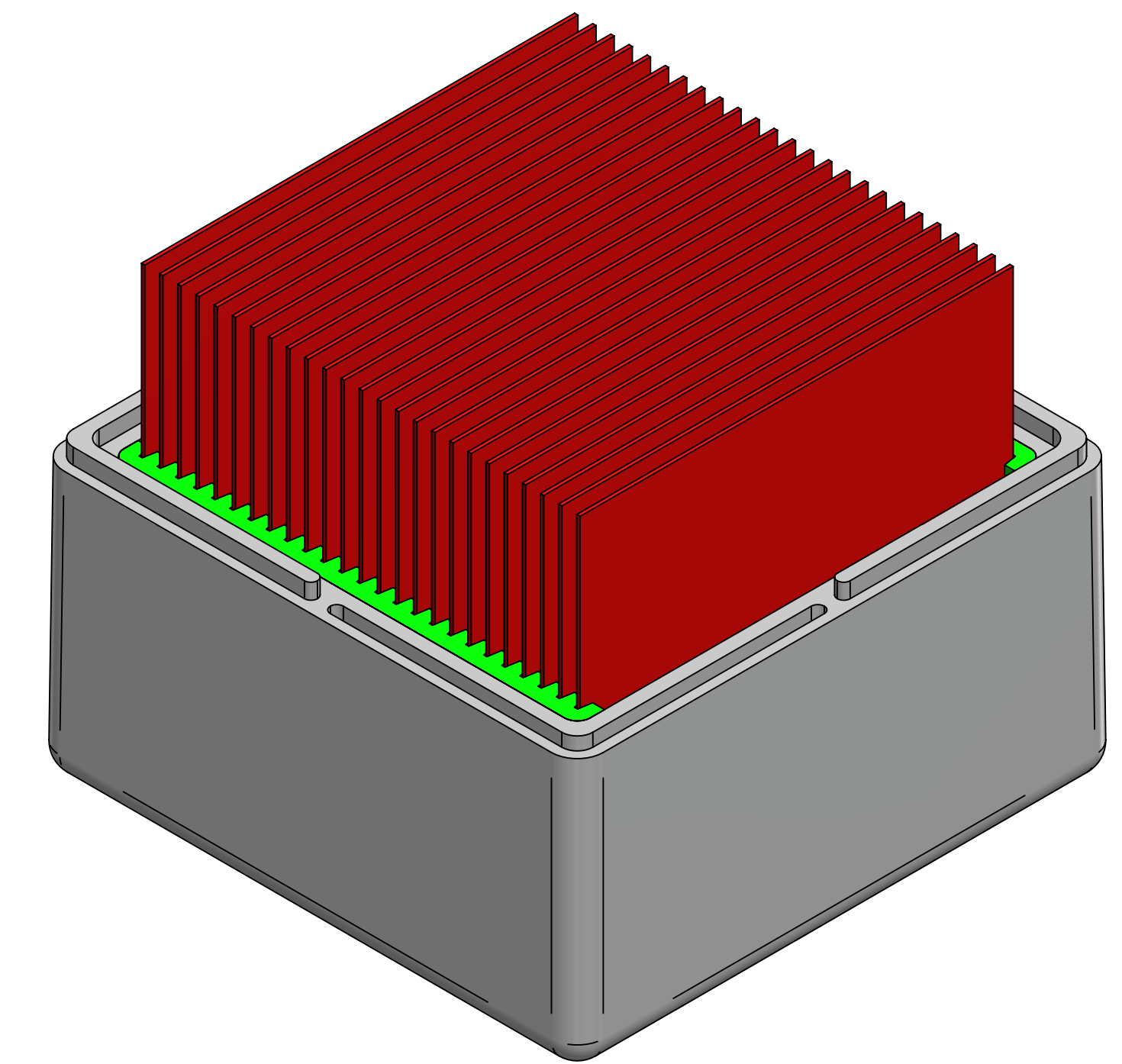


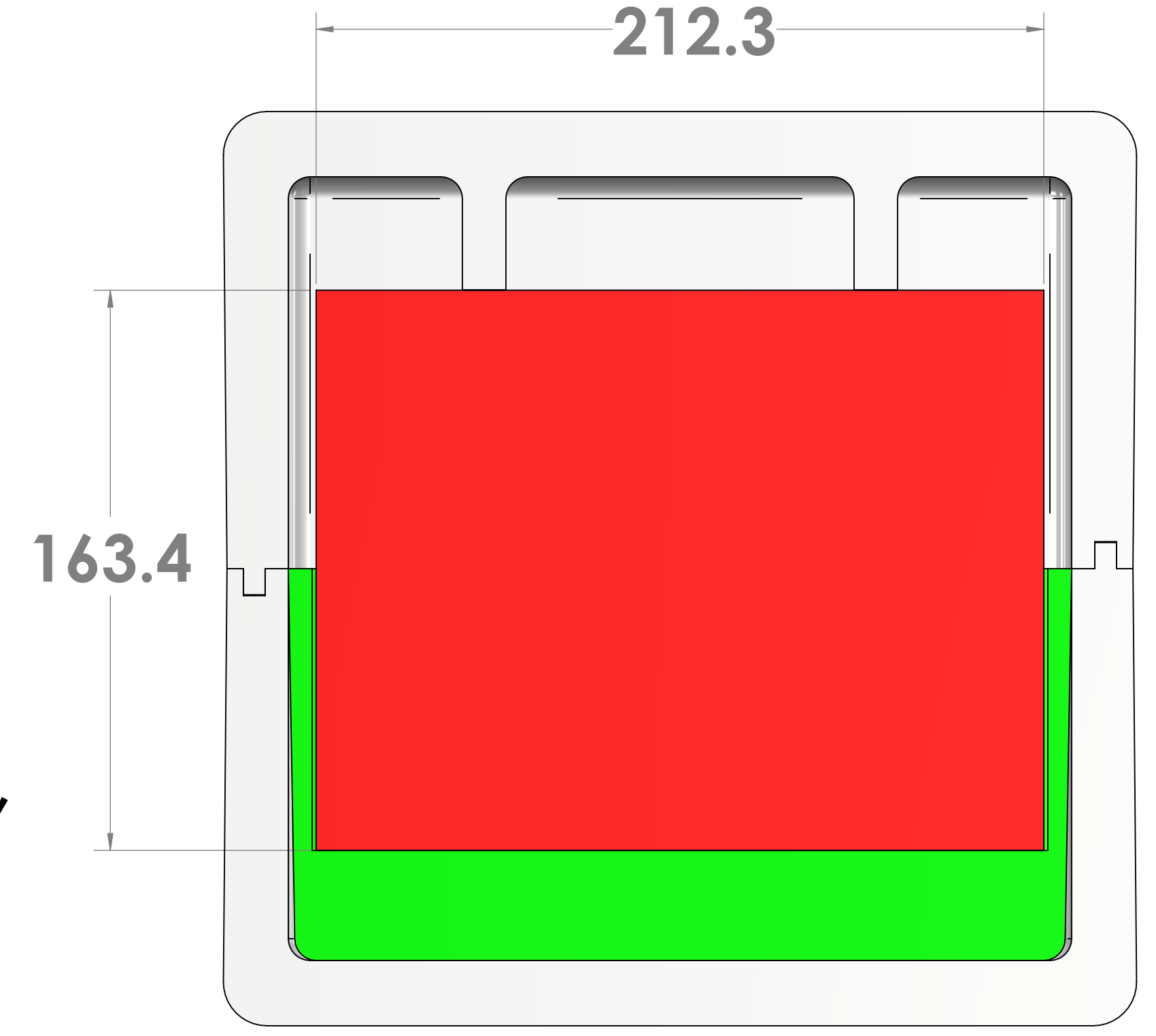
SECTION A-A
SCALE 1 : 1.5



DETAIL B
SCALE 2 : 1.5

Note:

- 1) Material to be 64g/l density (4.0 lb/ft³) EPS, Static Dissipative
- 2) 1 Degree Draft TYP
- 3) Dimensions shown in millimeters



PROPRIETARY AND CONFIDENTIAL
THE INFORMATION CONTAINED IN THIS
DRAWING IS THE SOLE PROPERTY OF
TEMPO PLASTIC CO., INC. ANY
REPRODUCTION IN PART OR AS A WHOLE
WITHOUT THE WRITTEN PERMISSION OF
TEMPO PLASTIC CO., INC IS
PROHIBITED.

UNLESS OTHERWISE SPECIFIED:		NAME	DATE	TEMPO PLASTIC CO., INC.
DIMENSIONS ARE IN MM		JR	4/20/20	
TOLERANCES:		DRAWN		TITLE
FRACTIONAL ±		CHECKED		TPC390
ANGULAR: MACH ± BEND ±		ENG APPR.		#25S-8360
TWO PLACE DECIMAL ±		MFG APPR.		SIZE DWG. NO.
THREE PLACE DECIMAL ±		Q.A.		D
INTERPRET GEOMETRIC TOLERANCING PER:		COMMENTS:		REV
MATERIAL				A
FINISH				SCALE: 1:1.5 WEIGHT:
APPLICATION				SHEET 1 OF 1