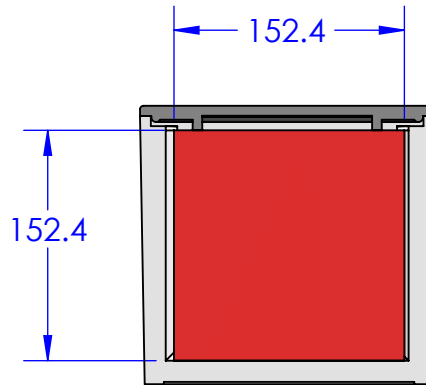
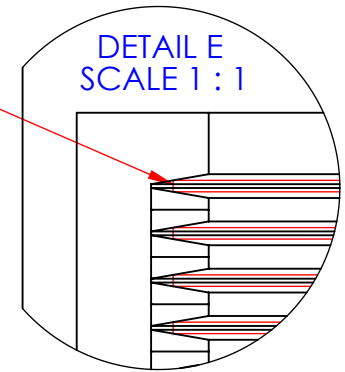


SECTION B-B



Glass 152.4mm square  
Fits Thickness of .7mm



V Groove Detail

**PROPRIETARY AND CONFIDENTIAL**  
THE INFORMATION CONTAINED IN THIS DRAWING IS THE SOLE PROPERTY OF *Tempo Plastic Co., Inc.* ANY REPRODUCTION IN PART OR AS A WHOLE WITHOUT THE WRITTEN PERMISSION OF *Tempo Plastic Co., Inc.* IS PROHIBITED.

NEXT ASSY	USED ON
APPLICATION	

UNLESS OTHERWISE SPECIFIED:	NAME	DATE
DIMENSIONS ARE IN MM	<b>JR</b>	8/9/2022
TOLERANCES:		
FRACTIONAL ±		
ANGULAR: MACH ± BEND ±		
TWO PLACE DECIMAL ±		
THREE PLACE DECIMAL ±		
INTERPRET GEOMETRIC TOLERANCING PER:	Q.A.	
MATERIAL	COMMENTS:	
FINISH		
DO NOT SCALE DRAWING		

DRAWN	NAME	DATE
CHECKED	<b>JR</b>	8/9/2022
ENG APPR.		
MFG APPR.		
Q.A.		
COMMENTS:		

Tempo Plastic Co., Inc		
TITLE: #20S-6062D Base & Lid		
SIZE	DWG. NO.	REV
<b>A</b>		<b>A</b>
SCALE: 1:5	WEIGHT:	SHEET 1 OF 1