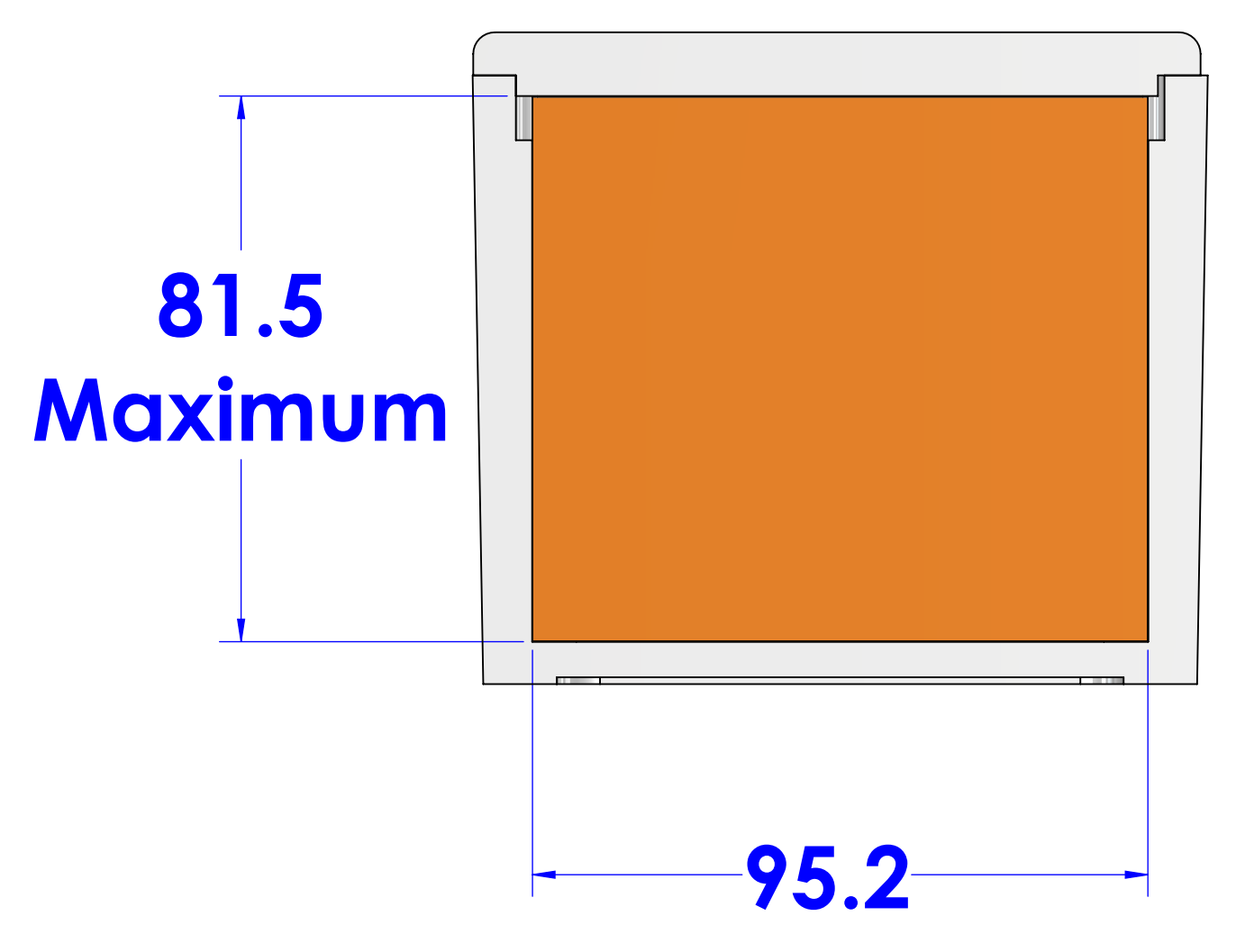
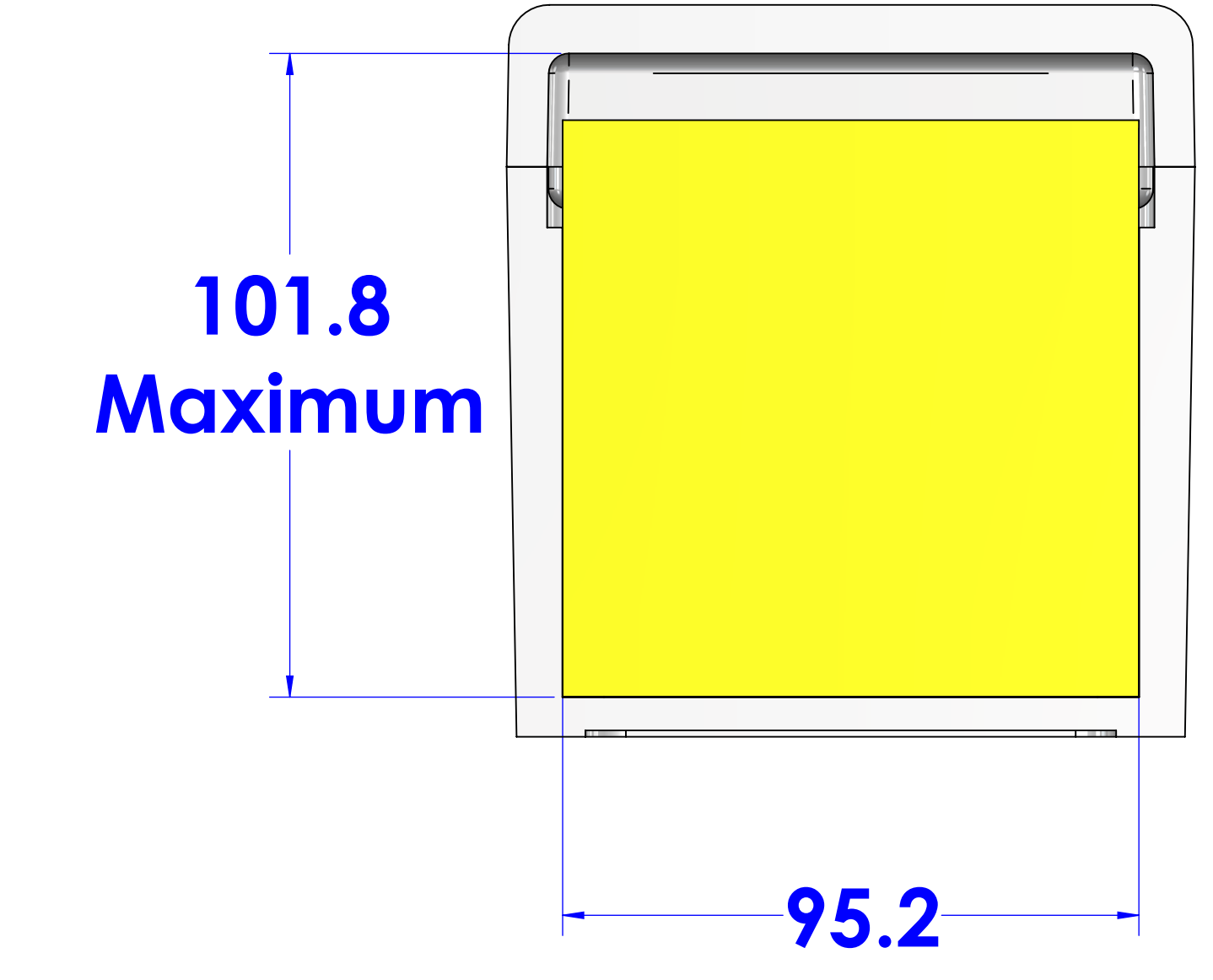


#25S-3750 w/ Flat lid



#25S-3750 w/ Deep lid



NOTE:
 1) Material to be 64g/l Density (4.0 lb/ft3) EPS Static Dissipative
 2) 1 Degree Draft TYP
 A 3) Dimension Shown are in Millimeters

PROPRIETARY AND CONFIDENTIAL
 THE INFORMATION CONTAINED IN THIS DRAWING IS THE SOLE PROPERTY OF
 TEMPO PLASTIC CO., INC. ANY
 REPRODUCTION IN PART OR AS A WHOLE
 WITHOUT THE WRITTEN PERMISSION OF
 TEMPO PLASTIC CO., INC IS
 PROHIBITED.

UNLESS OTHERWISE SPECIFIED:		NAME	DATE	TEMPO PLASTIC CO., INC.
DIMENSIONS ARE IN MM		JR	10/4/18	TITLE:
TOLERANCES:				#25S-3750
FRACTIONAL: ±				SIZE DWG. NO.
ANGULAR: MATCH ± BEND ±				D A
TWO PLACE DECIMAL ±				SCALE: 1:1 WEIGHT:
THREE PLACE DECIMAL ±				SHEET 1 OF 1
INTERPRET GEOMETRIC TOLERANCING PER:				
MATERIAL:				
FINISH:				
APPLICATION:	DO NOT SCALE DRAWING			