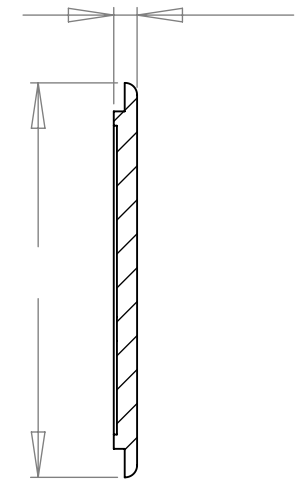
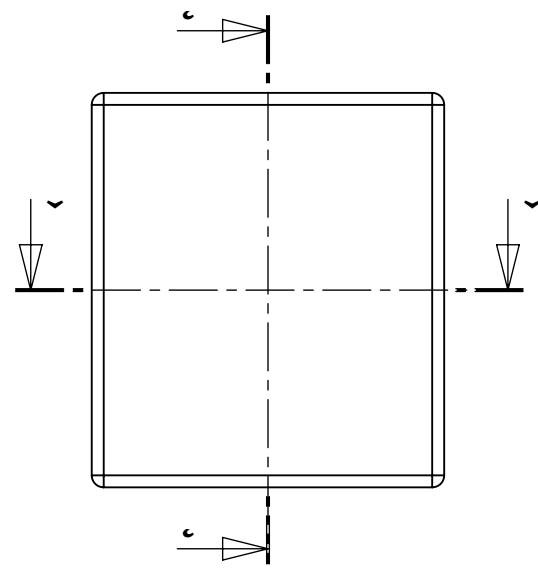
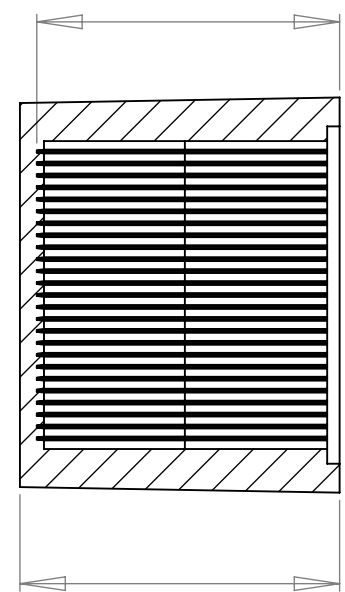
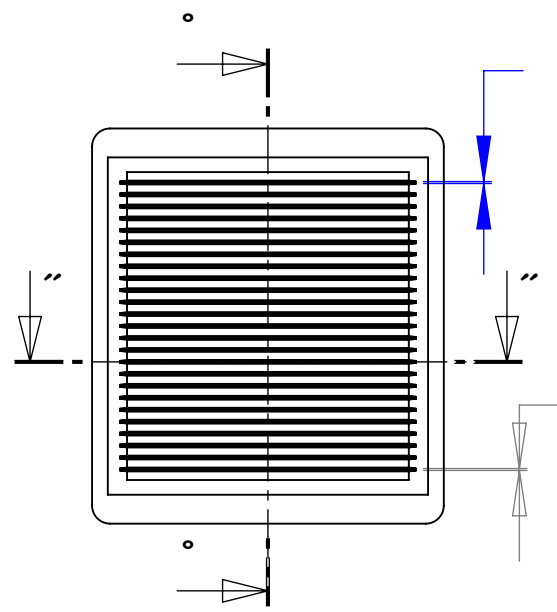
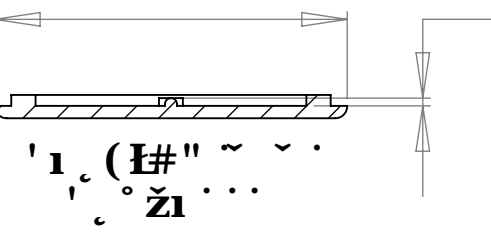


y y y 0go r q/hqco 0eqo

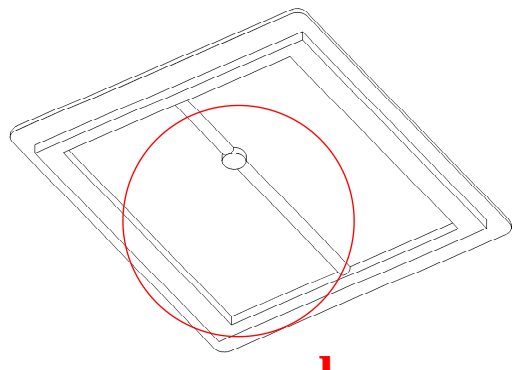


' 1 (E# "
' 1 (E# "
Ž1

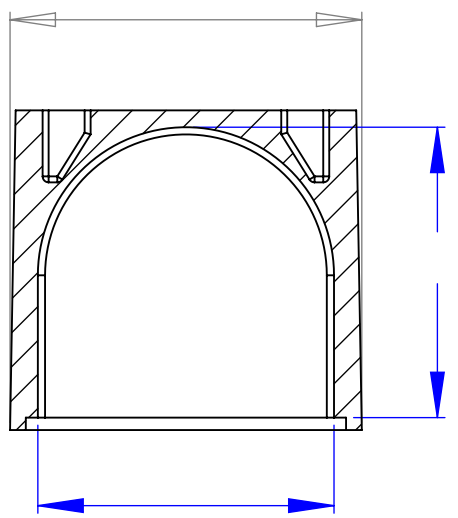
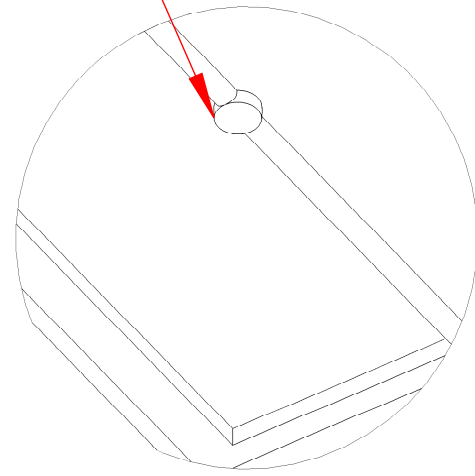


' 1 (E# "
' 1 (E# "
Ž1

Hnrl wp'vr 'čf lwugf
vq'tkl'j gli vj '50 o o '*078\$+

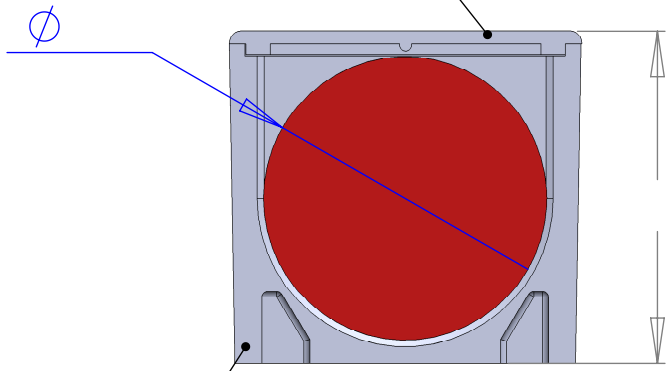


1



47T/7; 67'Nkf

47T/7; 67'Dcug



' 1 (E# "
' 1 (E# "
Ž1

P qvg<
3+'O cvgtknVq'dg'86i lhf gpuk{ '*60'id lnx5+'
''''Ucvle'F kukr cvlxg'GRU
4+'3'F gi tgg'F tchl'V[R
5+'

DFC DF-945FM5B87CB: 89BH5@
H: 9 B: CFA 5HC B 7 CBH5 B98 B H: 6
8F5K B: G H: 9 GC @DFC D9F HMC:
H9A DC D@5GH7 7CZ-B7" 5BM
F9DFC 8I 7HC B B D5FHC F 5G5 K <C @
K H: C I H H: 9 K F H9B D9FA GGC B C:
H9A DC D@5GH7 7CZ-B7" G
DFC <6498"

		I B @GGC H: 9FK @9 QD97 ±98.		B5A 9	85H9	H9A DC D@5GH7 7CZ-B7"
		8 A 9B GC BG5F9 B A A HC @F5B7 9G : F57 HC B5 @± 5B: I @5F: A 57 <± 69B8 ± HK C D @57 9897 A 5 @±± H: F99D @57 9897 A 5 @±	8F5K B	>I B €F	%# #/8&	H H @.
		8HFD9H: 9CA 9HF 7 HC @F5B7 B: D9F.	7 <97 ?98			47T/7; 67 Dcug'('Nkf
		A 5HF 5@	9B: '5DDF"			G A9
			A: '5DDF"			8K ; "'BC"
			E "5"			F9J
			7 C A A 9BHG			6
B9LH5GGM	I 098 C B	: B G<				5
						G7 5 @. %)
						G<99H% C : %