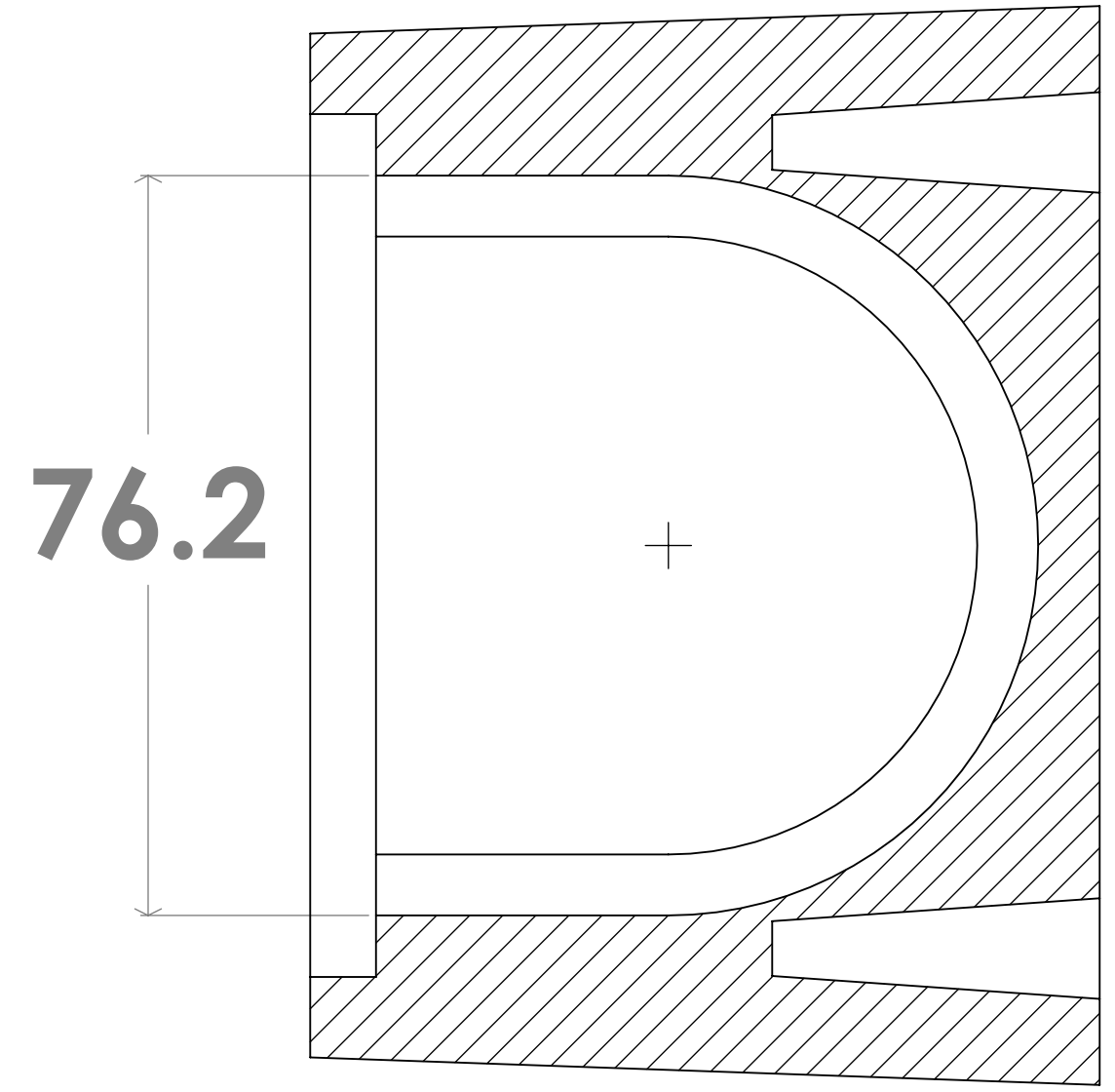
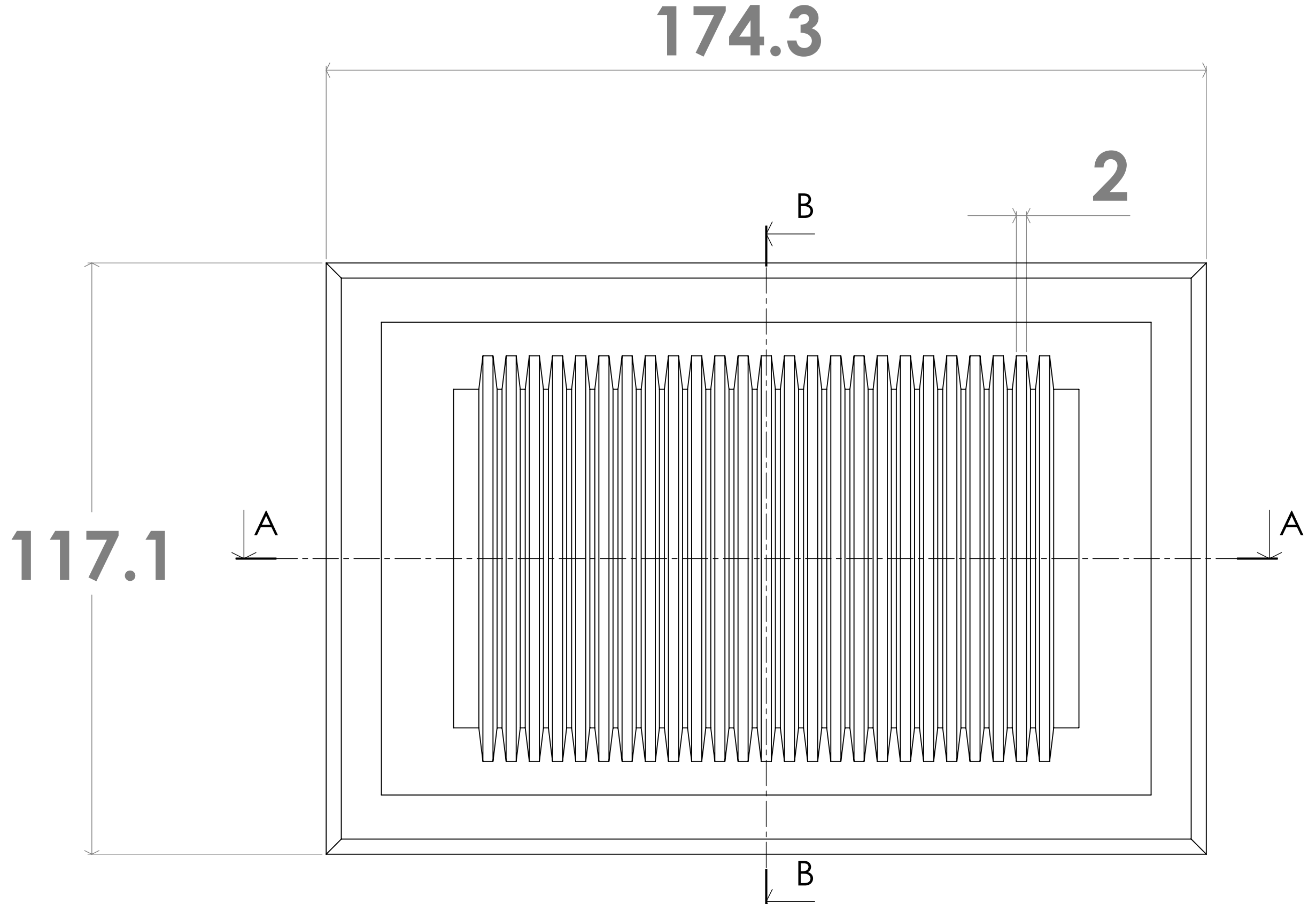
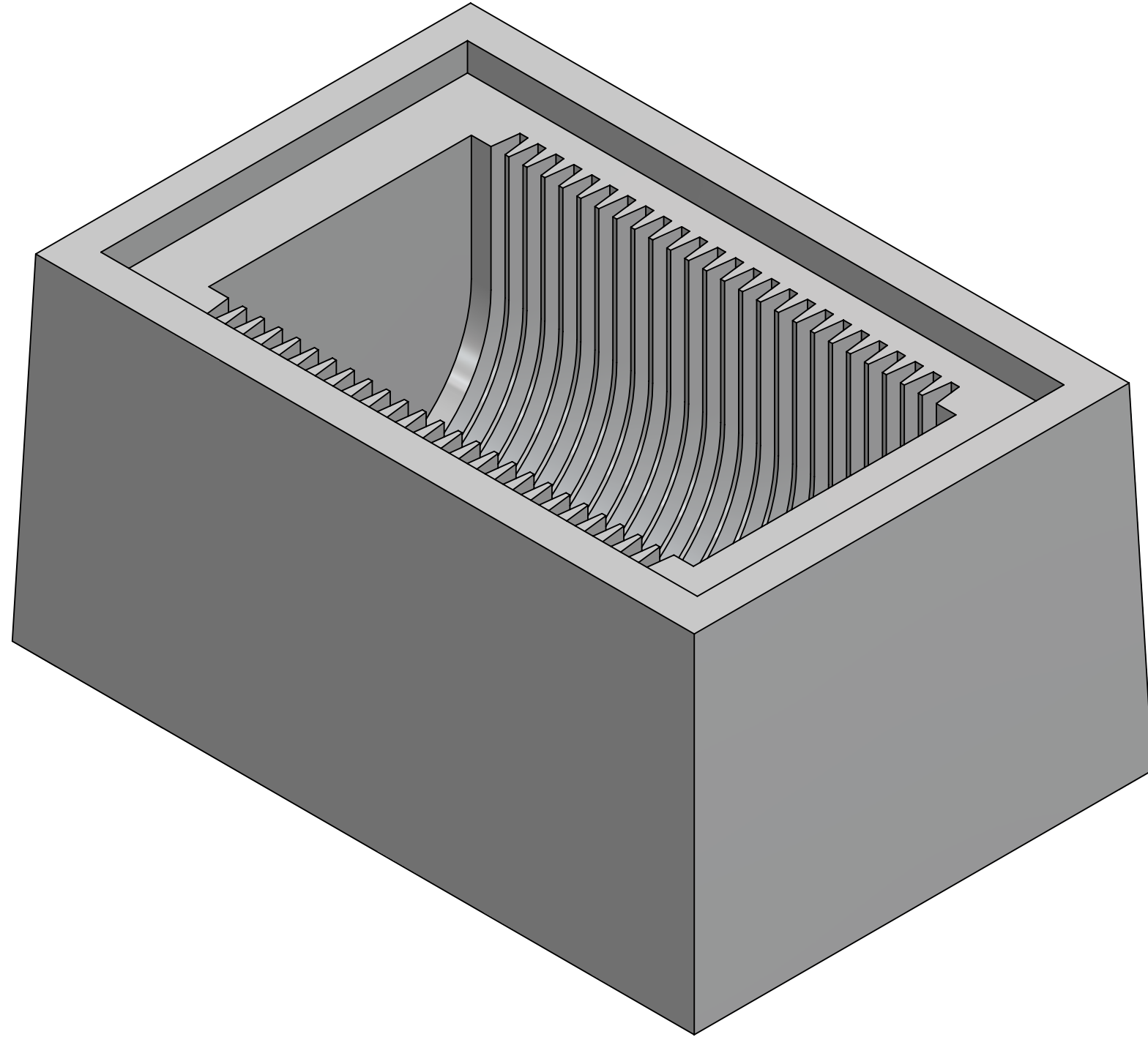


SECTION A-A
SCALE 1.25 : 1



SECTION B-B
SCALE 1.25 : 1

Note:
 1) Material To be 64g/l density (4.0 lb/ft³) EPS,
 Static Dissipative
 2) 1 Degree Draft TYP

PROPRIETARY AND CONFIDENTIAL
 THE INFORMATION CONTAINED IN THIS
 DRAWING IS THE SOLE PROPERTY OF
 Tempo Plastic Co., Inc. ANY
 REPRODUCTION IN PART OR AS A WHOLE
 WITHOUT THE WRITTEN PERMISSION OF
 Tempo Plastic Co., Inc. IS
 PROHIBITED.

UNLESS OTHERWISE SPECIFIED:		DRAWN	NAME	DATE	Tempo Plastic Co., Inc.
DIMENSIONS ARE IN Millimeters		JR	JR	3/22/19	
TOLERANCES:		CHECKED			
FRACTIONAL ±		ENG APPR.			
ANGULAR MATCH ±		MFG APPR.			TITLE:
BEND ±					#25R-3062
TWO PLACE DECIMAL ±					SIZE DWG. NO.
THREE PLACE DECIMAL ±					D 1
INTERPRET GEOMETRIC TOLERANCING PER:					REV
MATERIAL					SCALE: 2:1
					SHEET 1 OF 1
NEXT ASSY	USED ON	FINISH			
APPLICATION					