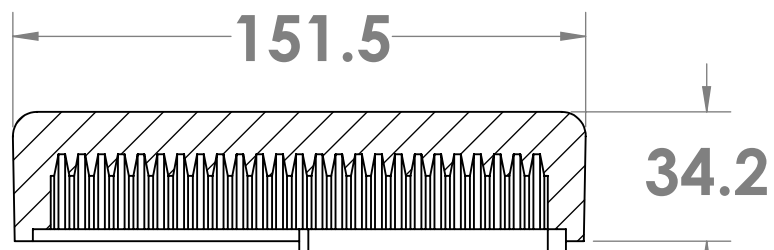
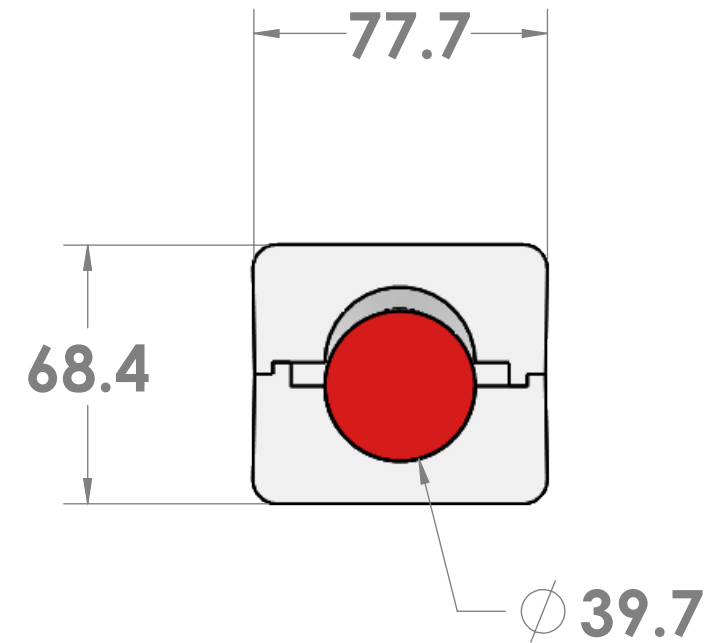


SECTION A-A  
SCALE 1 : 2



SECTION B-B  
SCALE 1 : 2



- Note:
- 1) Material To be 64g/l density (4.0 lb/ft<sup>3</sup>) Static Dissipative EPS
  - 2) 1 Degree Draft TYP
  - 3) Dimensions shown are in millimeters

**PROPRIETARY AND CONFIDENTIAL**  
THE INFORMATION CONTAINED IN THIS DRAWING IS THE SOLE PROPERTY OF **TEMPO PLASTIC CO., INC.** ANY REPRODUCTION IN PART OR AS A WHOLE WITHOUT THE WRITTEN PERMISSION OF **TEMPO PLASTIC CO., INC.** IS PROHIBITED.

APPLICATION	DO NOT SCALE DRAWING
NEXT ASSY	USED ON
MATERIAL	
FINISH	
INTERPRET GEOMETRIC TOLERANCING PER:	

UNLESS OTHERWISE SPECIFIED:	NAME	DATE
DIMENSIONS ARE IN MM	JR	12/26/24
TOLERANCES:		
FRACTIONAL ±		
ANGULAR: MACH ± BEND ±		
TWO PLACE DECIMAL ±		
THREE PLACE DECIMAL ±		
	ENG APPR.	
	MFG APPR.	
	Q.A.	
	COMMENTS:	

<b>TEMPO PLASTIC CO., INC.</b>		
TITLE:		
<b>25R-1562</b>		
SIZE	DWG. NO.	REV
<b>B</b>		<b>A</b>
SCALE: 1:2	WEIGHT:	SHEET 1 OF 1