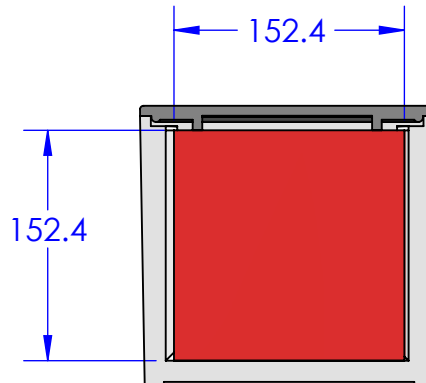
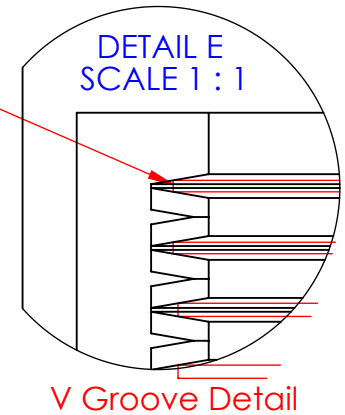


SECTION B-B



Glass 152.4mm square  
Fits Thickness of .7mm



UNLESS OTHERWISE SPECIFIED:

DIMENSIONS ARE IN MM  
TOLERANCES:  
FRACTIONAL ±  
ANGULAR: MACH ± BEND ±  
TWO PLACE DECIMAL ±  
THREE PLACE DECIMAL ±

INTERPRET GEOMETRIC  
TOLERANCING PER:

MATERIAL

FINISH

DO NOT SCALE DRAWING

	NAME	DATE
DRAWN	JR	4/3/13
CHECKED		
ENG APPR.		
MFG APPR.		
Q.A.		
COMMENTS:		

Tempo Plastic Co., Inc

TITLE: #20S-6062D  
Base & Lid

SIZE	DWG. NO.	REV
A		A

SCALE: 1:5 WEIGHT: SHEET 1 OF 1

**PROPRIETARY AND CONFIDENTIAL**  
THE INFORMATION CONTAINED IN THIS  
DRAWING IS THE SOLE PROPERTY OF  
*Tempo Plastic Co., Inc.* ANY  
REPRODUCTION IN PART OR AS A WHOLE  
WITHOUT THE WRITTEN PERMISSION OF  
*Tempo Plastic Co., Inc.* IS  
PROHIBITED.

NEXT ASSY	USED ON	APPLICATION