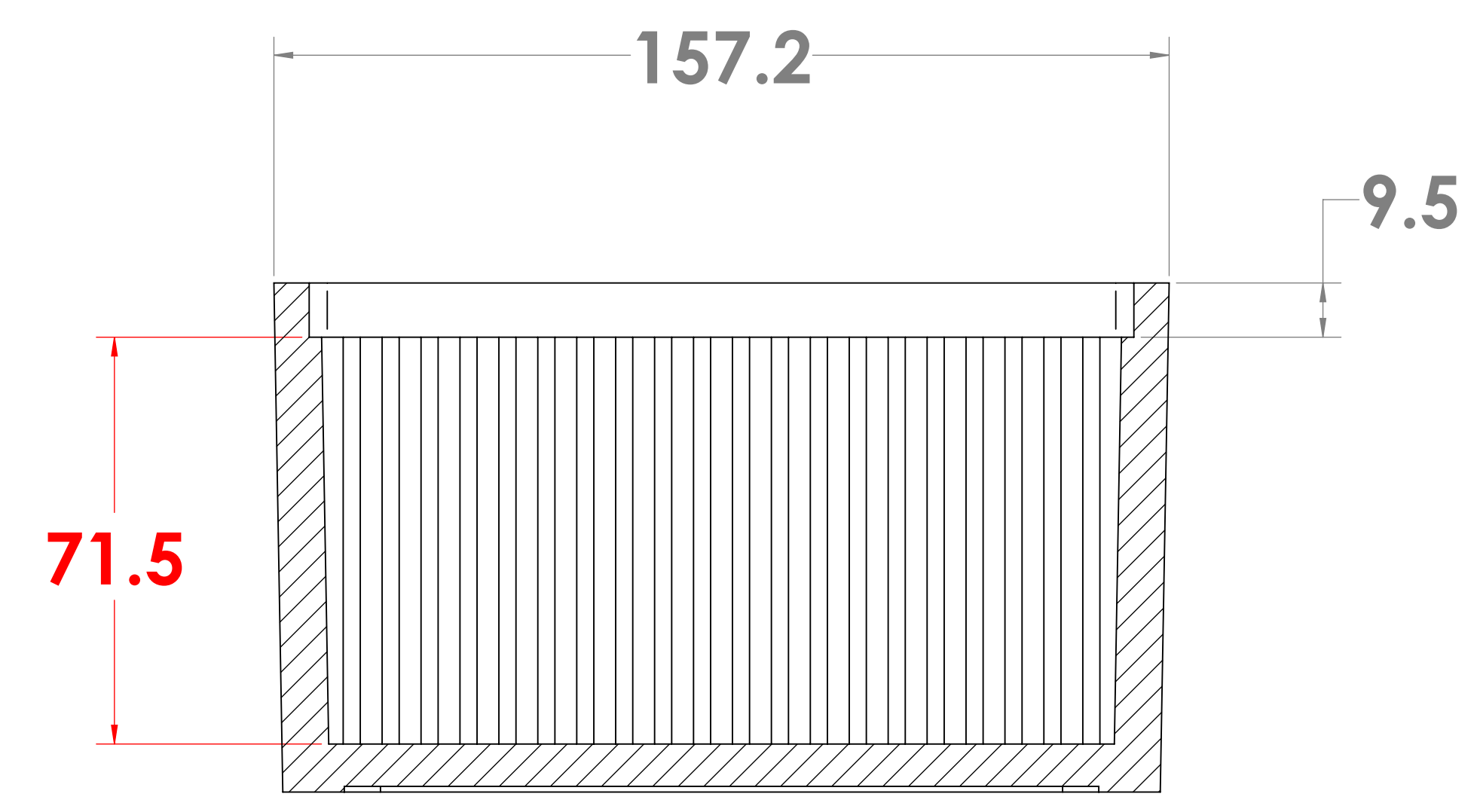
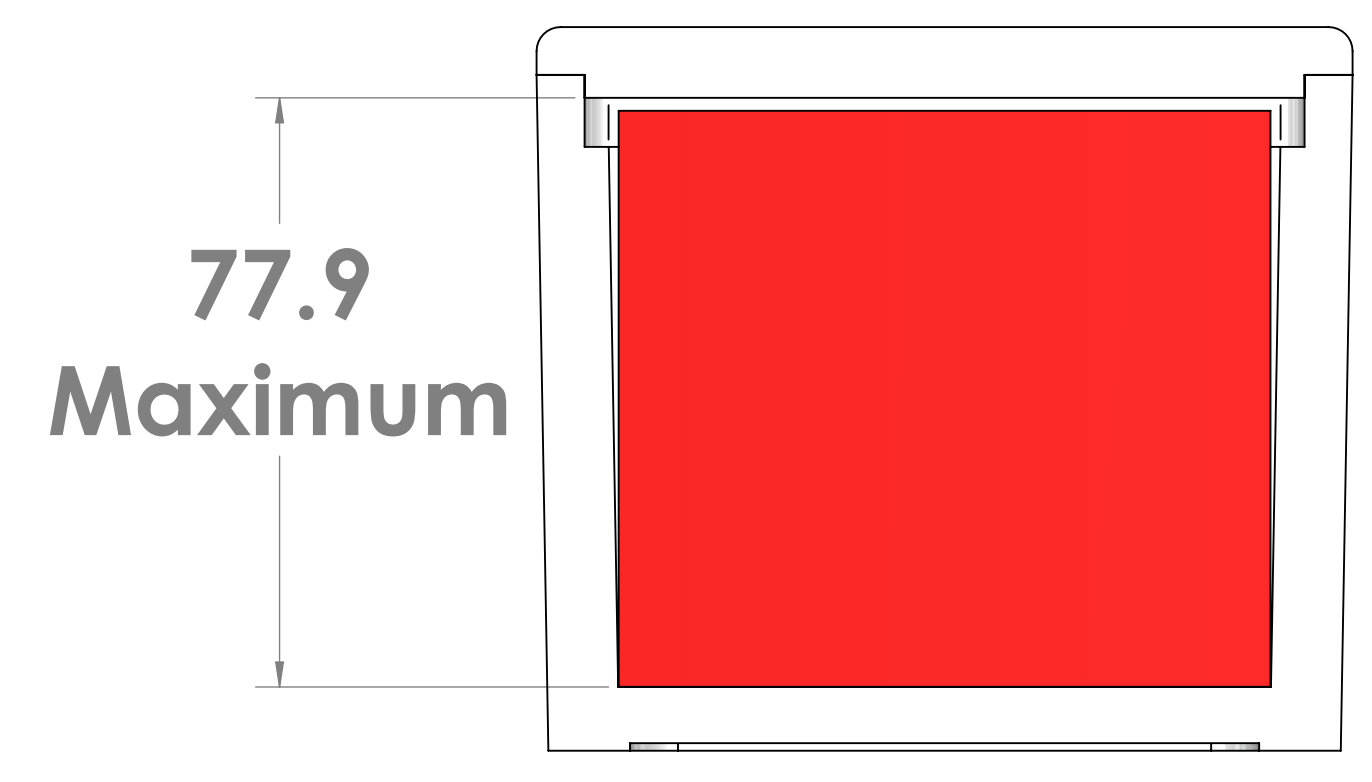
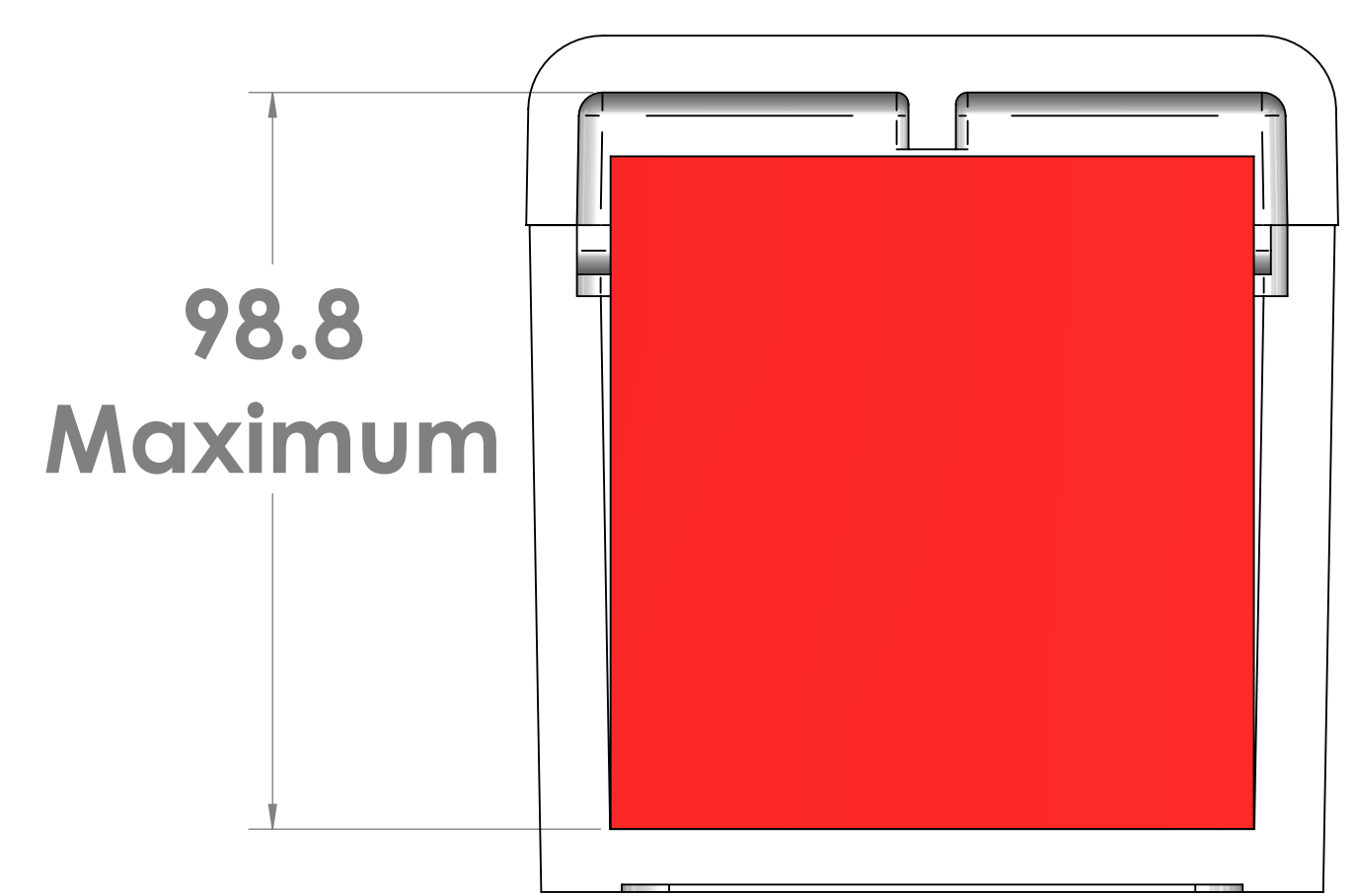


#20S-3400 w/Flat Lid



SECTION A-A

#20S-3400 w/Deep Lid



NOTE:

- 1) Material to be 64g/l Density (4.0lb/ft³) Static Dissipative EPS
- 2) 1 Degree Draft TYP
- 3) Dimensions Shown in Millimeters

PROPRIETARY AND CONFIDENTIAL
THE INFORMATION CONTAINED IN THIS
DRAWING IS THE SOLE PROPERTY OF
TEMPO PLASTIC CO., INC. ANY
REPRODUCTION IN PART OR AS A WHOLE
WITHOUT THE WRITTEN PERMISSION OF
TEMPO PLASTIC CO., INC IS
PROHIBITED.

UNLESS OTHERWISE SPECIFIED:		NAME	DATE	TEMPO PLASTIC CO., INC.
DIMENSIONS ARE IN MM		JR	5/6/20	
TOLERANCES:		DRAWN		TITLE:
FRACTIONAL ±		CHECKED		#20S-3400
ANGULAR: MACH ± BEND ±		ENG APPR.		SIZE DWG. NO.
TWO PLACE DECIMAL ±		MFG APPR.		D A
THREE PLACE DECIMAL ±		Q.A.		SCALE: 1:1 WEIGHT: SHEET 1 OF 1
INTERPRET GEOMETRIC TOLERANCING PER:		COMMENTS:		
MATERIAL				
FINISH				
NEXT ASSY	USED ON			
APPLICATION	DO NOT SCALE DRAWING			