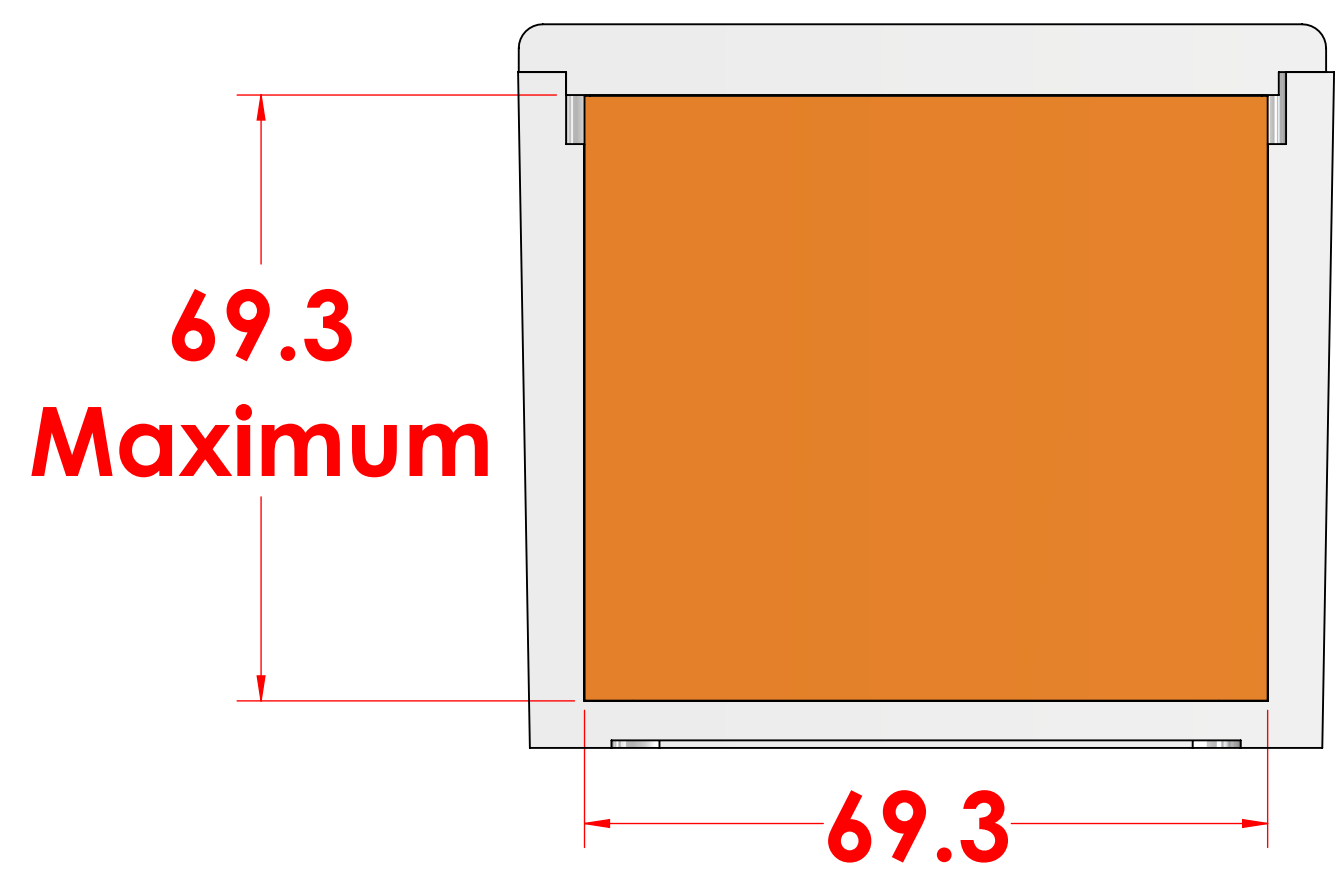
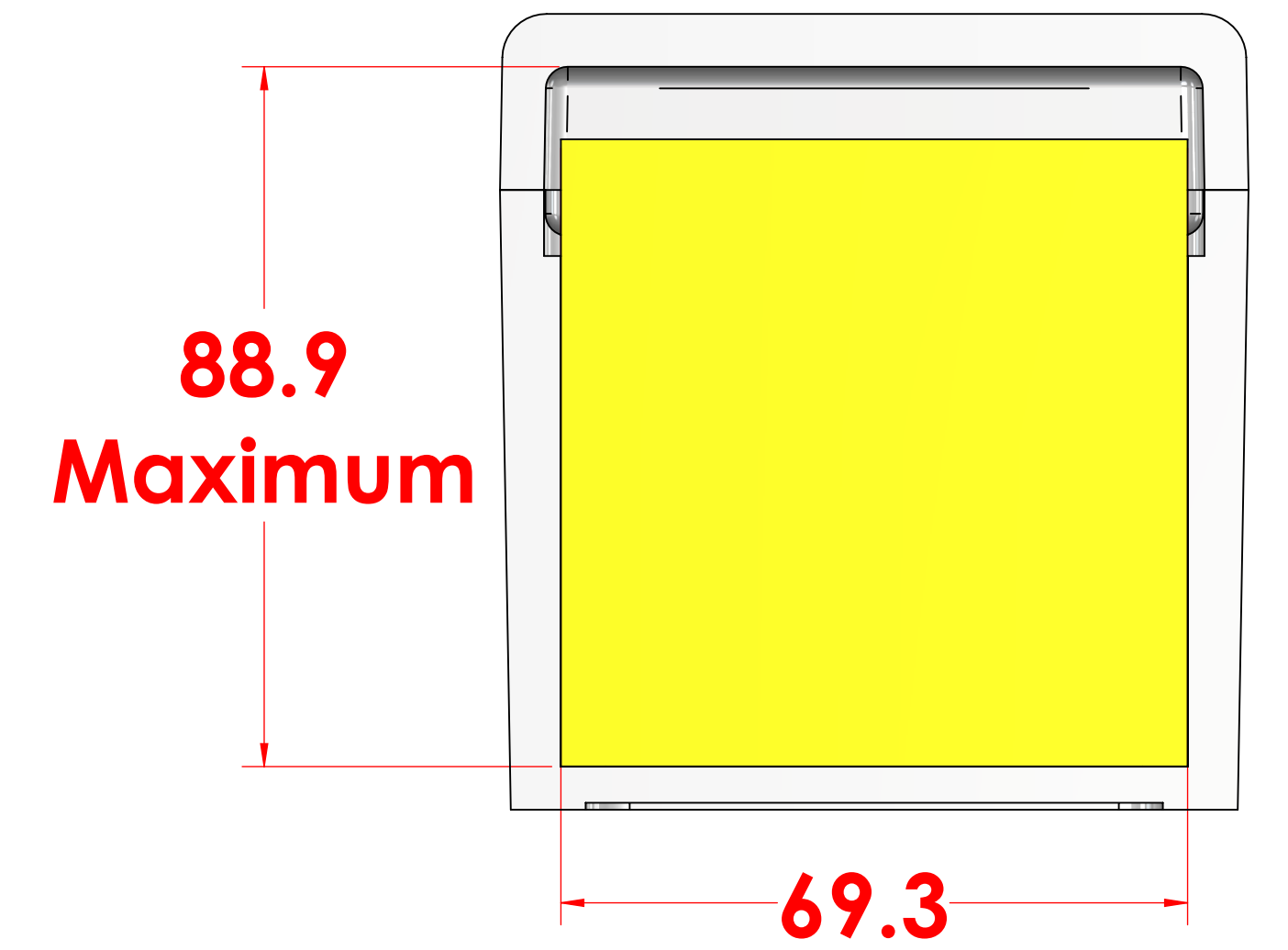


#20S-2732 w/Flat Lid



#20S-2732 w/Deep Lid



NOTE:
 1) Material to be 64g/l Density (4.0 lb/ft³) EPS Static Dissipative
 2) 1 Degree Draft TYP
 3) Dimension Shown are in Millimeters

PROPRIETARY AND CONFIDENTIAL
 THE INFORMATION CONTAINED IN THIS DRAWING IS THE SOLE PROPERTY OF
 TEMPO PLASTIC CO., INC. ANY
 REPRODUCTION IN PART OR AS A WHOLE
 WITHOUT THE WRITTEN PERMISSION OF
 TEMPO PLASTIC CO., INC IS
 PROHIBITED.

UNLESS OTHERWISE SPECIFIED:		NAME	DATE	TEMPLO PLASTIC CO., INC.
DIMENSIONS ARE IN MM		JR	11/27/18	TITLE:
TOLERANCES:				#20S-2732
FRACTIONAL: ±				SIZE DWG. NO.
ANGULAR: MATCH ± BEND ±				D A
TWO PLACE DECIMAL ±				SCALE: 1:1 WEIGHT:
THREE PLACE DECIMAL ±				SHEET 1 OF 1
INTERPRET GEOMETRIC TOLERANCING PER:	MATERIAL	Q.A.	COMMENTS:	
FINISH				
NEXT ASSY	USED ON			
APPLICATION	DO NOT SCALE DRAWING			