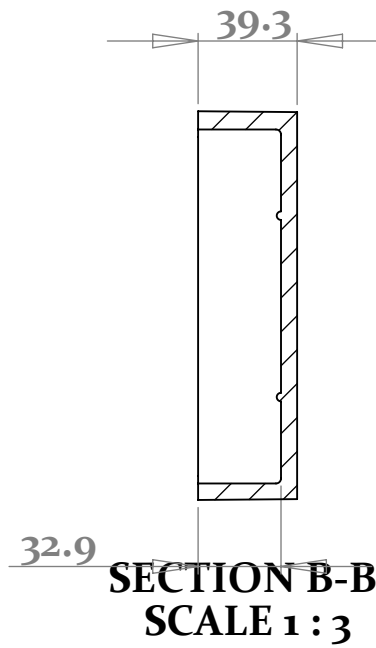
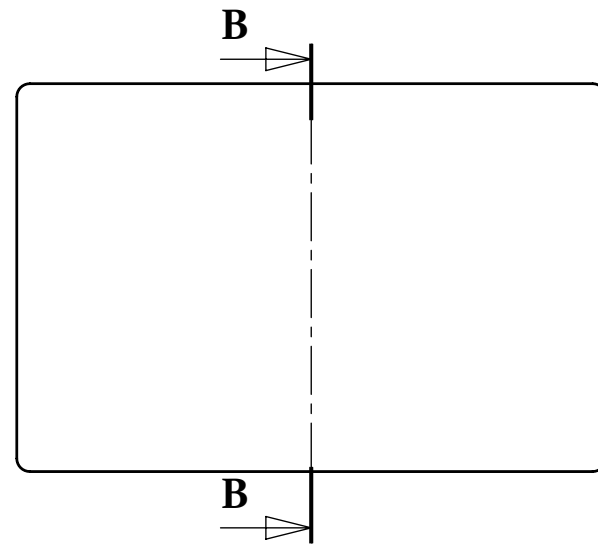
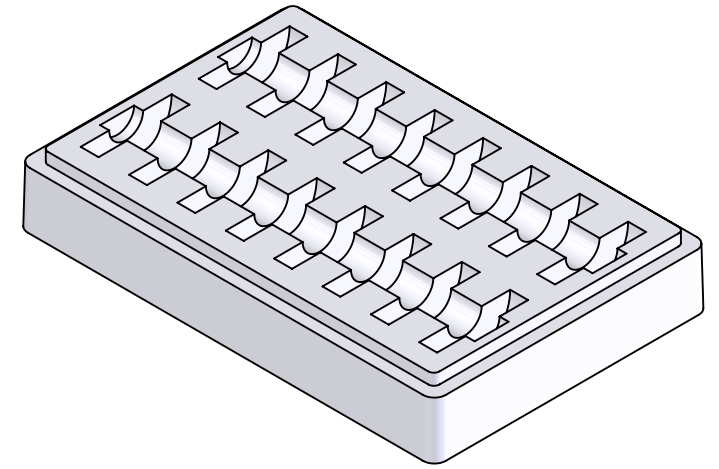


SECTION A-A  
SCALE 1:3



SECTION B-B  
SCALE 1:3

A208 Lid

16R-2010

Your substrate wafer

- Note:
- 1) Material To be 64g/l density (4.0 lb/ft<sup>3</sup>) Static Dissipative EPS
  - 2) 1 Degree Draft TYP
  - 3)

**PROPRIETARY AND CONFIDENTIAL**  
THE INFORMATION CONTAINED IN THIS DRAWING IS THE SOLE PROPERTY OF TEMPO PLASTIC CO, INC. ANY REPRODUCTION IN PART OR AS A WHOLE WITHOUT THE WRITTEN PERMISSION OF TEMPO PLASTIC CO, INC. IS PROHIBITED.

		UNLESS OTHERWISE SPECIFIED:		NAME	DATE	<b>TEMPO PLASTIC CO, INC.</b>
		DIMENSIONS ARE IN MM TOLERANCES: FRACTIONAL ± ANGULAR: MACH ± BEND ± TWO PLACE DECIMAL ± THREE PLACE DECIMAL ±		DRAWN	JUNIOR 2/22/11	
		INTERPRET GEOMETRIC TOLERANCING PER:		CHECKED		<b>16R-2010 base &amp; Lid</b>
		MATERIAL		ENG APPR.		
		FINISH		MFG APPR.		DWG. NO.
NEXT ASSY	USED ON			Q.A.		REV
APPLICATION		DO NOT SCALE DRAWING		COMMENTS:		<b>A</b>
						SCALE: 1:3
						SHEET 1 OF 1