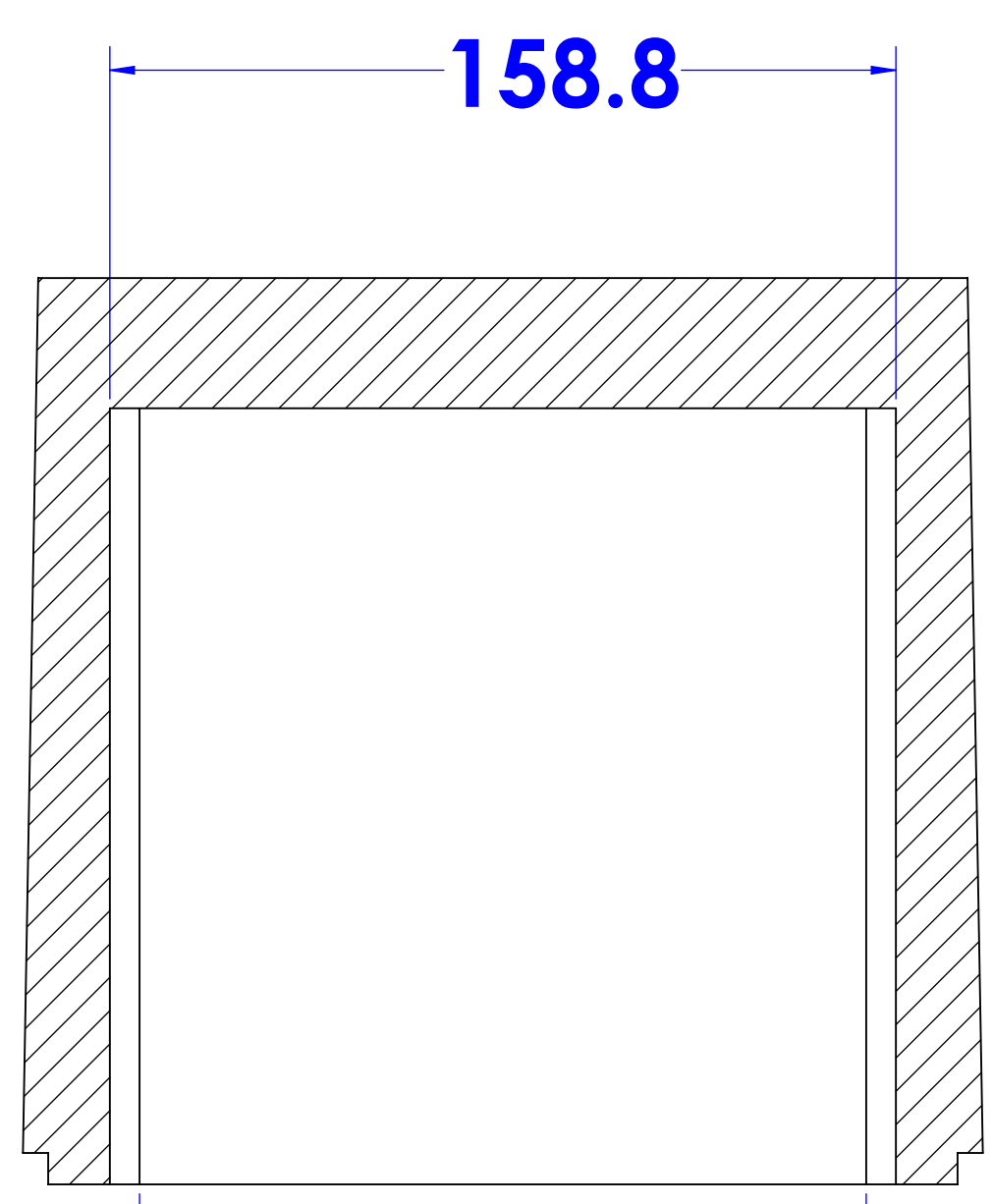
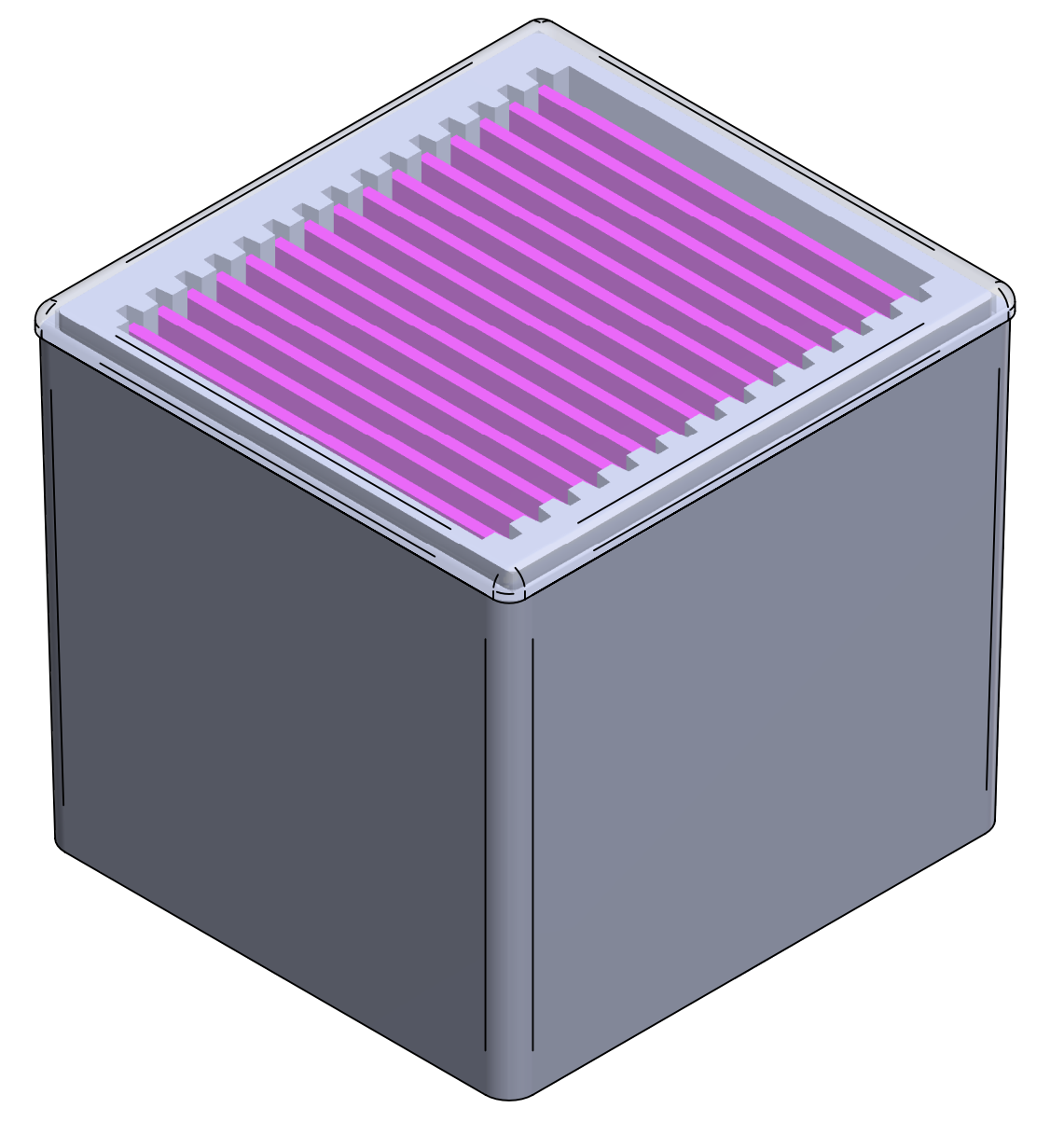
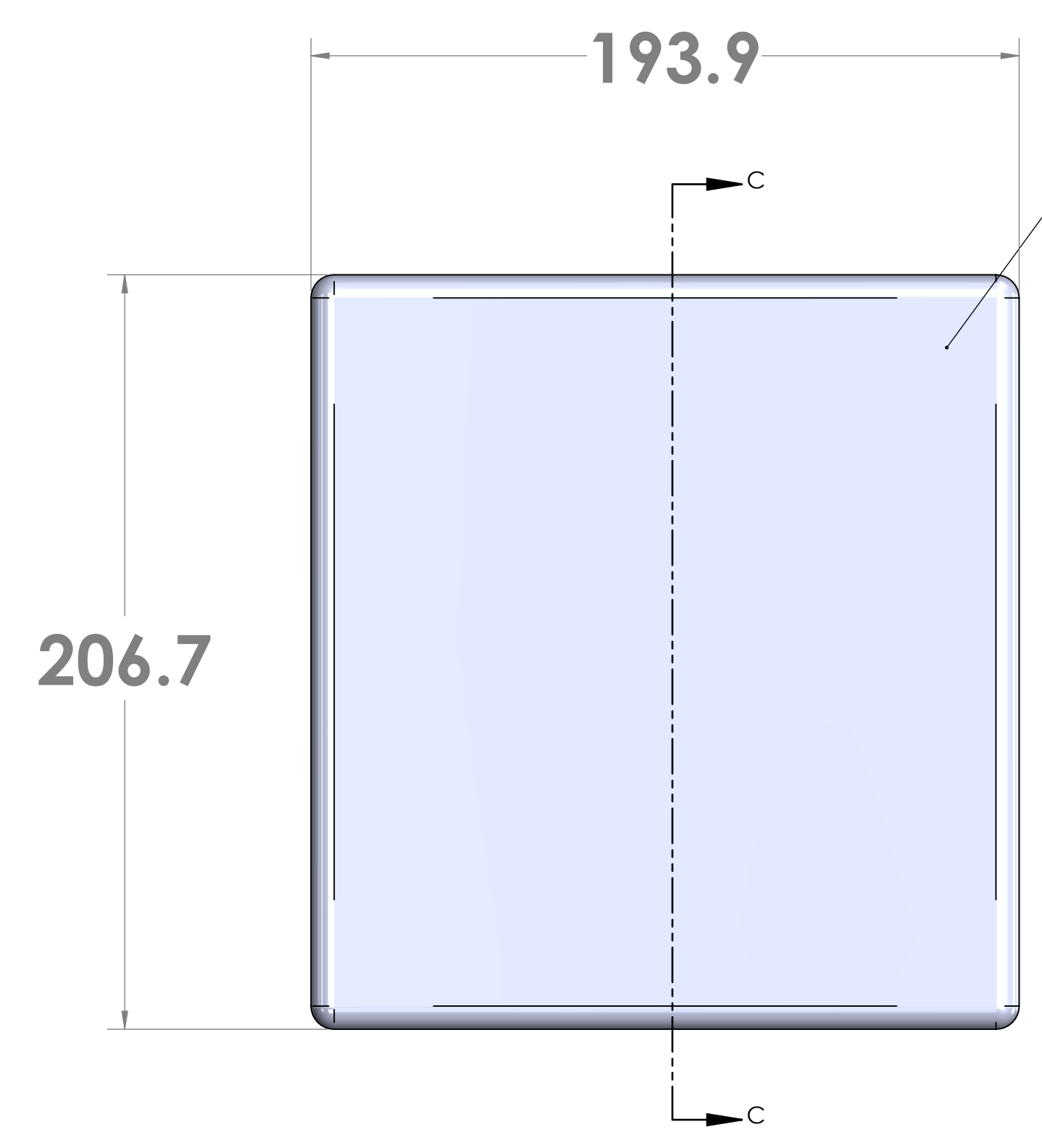


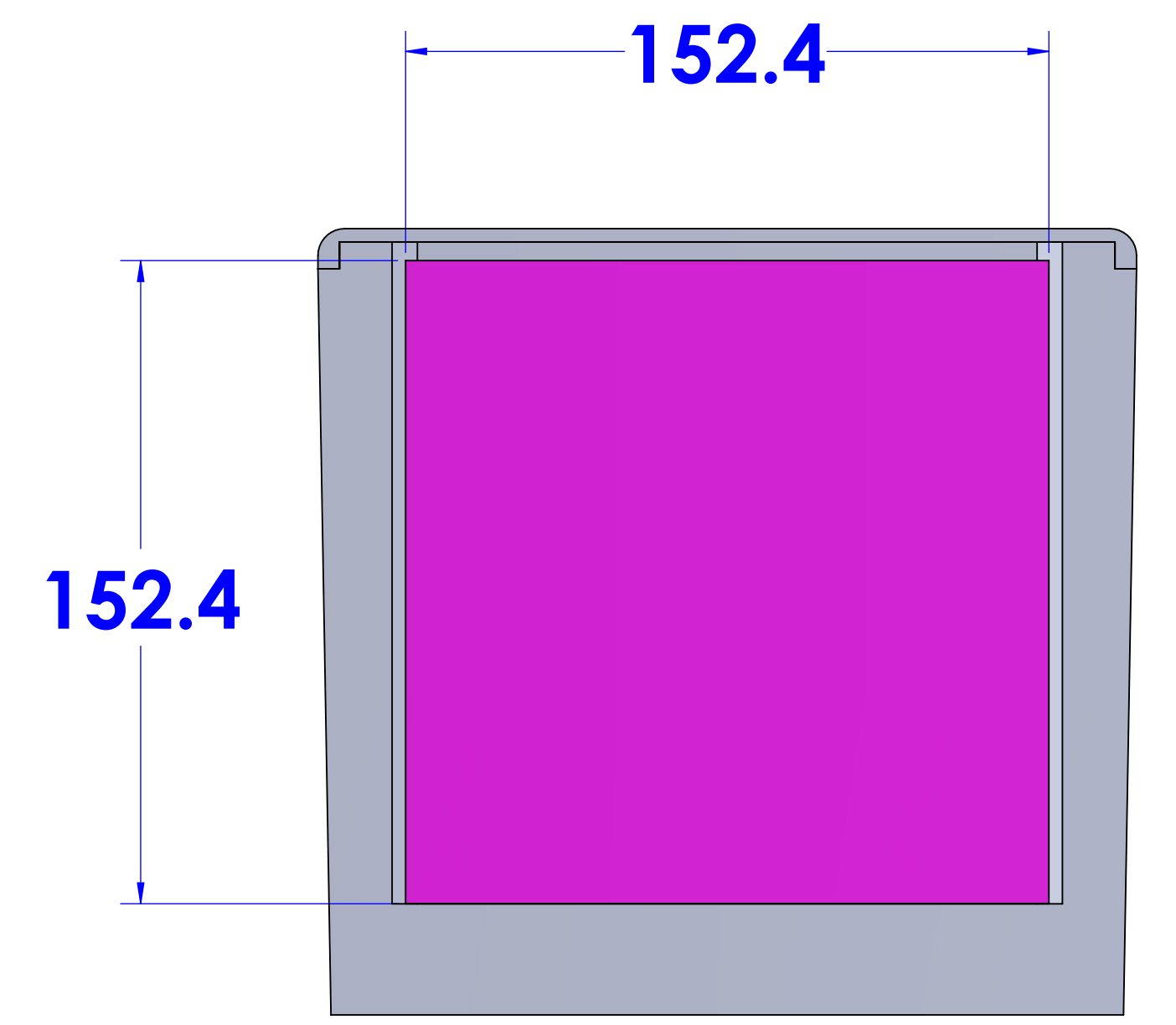
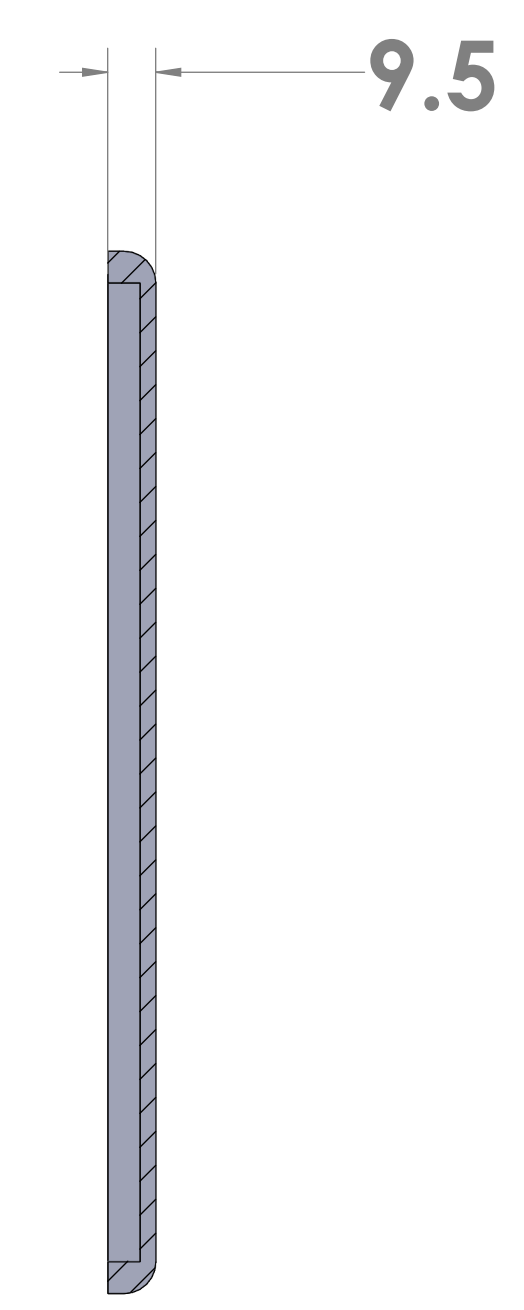
SECTION A-A
SCALE 1 : 1.5



SECTION B-B
SCALE 1 : 1.5



SECTION C-C
SCALE 1 : 1.5



Note:

- 1) Material to be 64g/l density (4.0 lb/ft³) Static Dissipative EPS.
- 2) 1 Degree Draft TYP

PROPRIETARY AND CONFIDENTIAL
THE INFORMATION CONTAINED IN THIS DRAWING IS THE SOLE PROPERTY OF
TEMPO PLASTIC CO., INC. ANY
REPRODUCTION IN PART OR AS A WHOLE
WITHOUT THE WRITTEN PERMISSION OF
TEMPO PLASTIC CO., INC IS
PROHIBITED.

UNLESS OTHERWISE SPECIFIED:		NAME	DATE	TEMPO PLASTIC CO., INC.
DRAWN	JR		3/11/20	
DIMENSIONS ARE IN MM		TITLE:		#15S-6000
TOLERANCES:		REV		
FRACTIONAL ±	ENG APPR.	A		
ANGULAR: MAACH ± BEND ±	MFG APPR.	SCALE: 1:2		
TWO PLACE DECIMAL ±	Q.A.	WEIGHT:		
THREE PLACE DECIMAL ±	COMMENTS:	SHEET 1 OF 1		
INTERPRET GEOMETRIC TOLERANCING PER:				
MATERIAL:				
FINISH:				
NEXT ASSY	USED ON			
APPLICATION	DO NOT SCALE DRAWING			