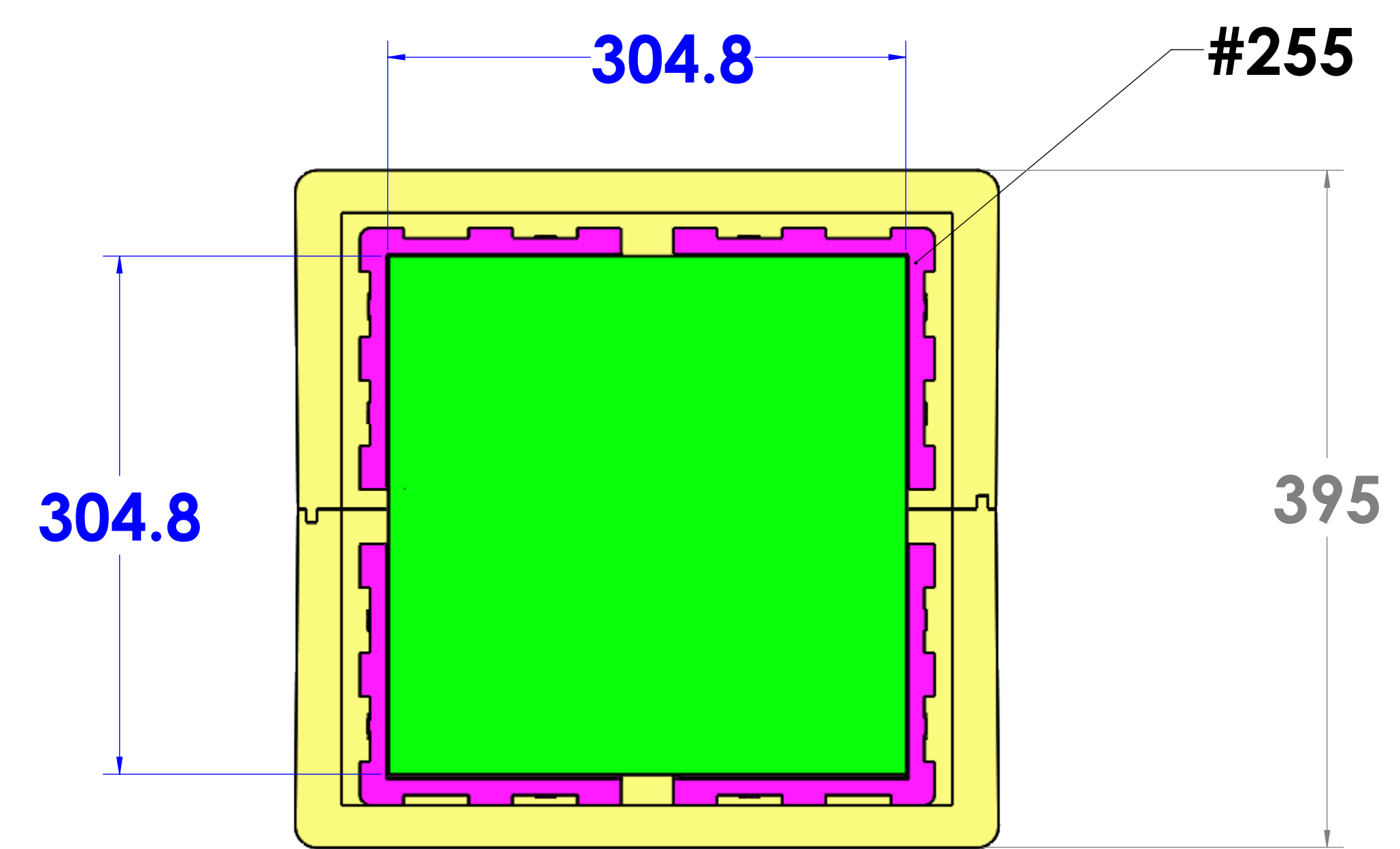
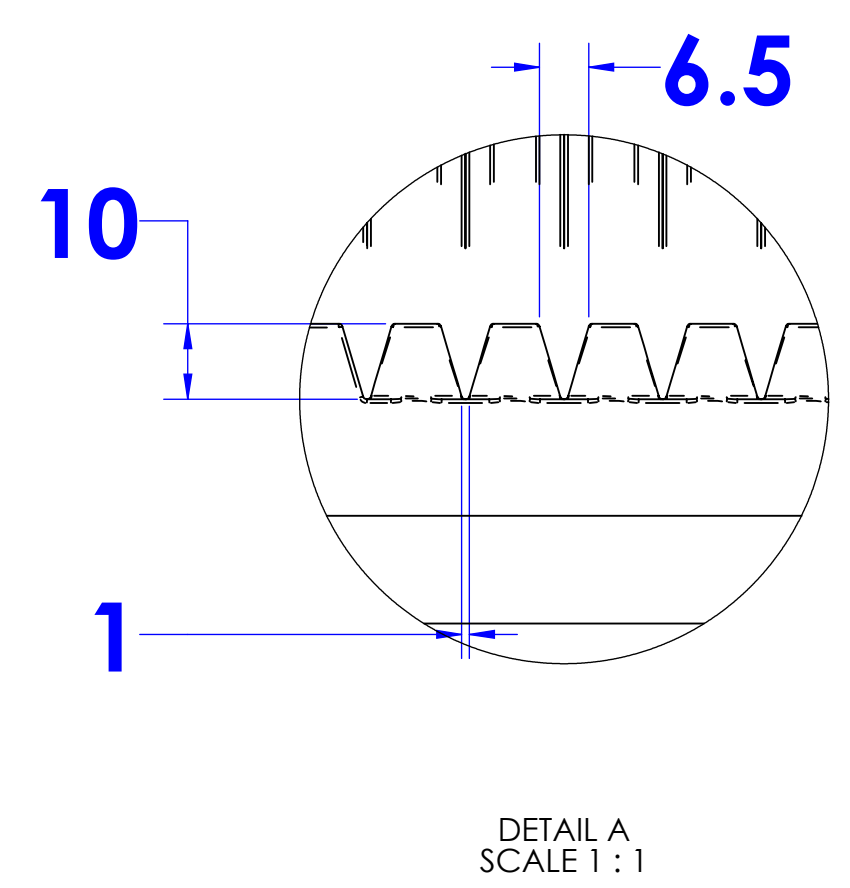


**Note:**  
 1) Material To be 64g/l density (4.0 lb/ft<sup>3</sup>) Static Dissipative EPS  
 2) 1 Degree Draft TYP  
 3) Dimensions shown in millimeters



PROPRIETARY AND CONFIDENTIAL  
 THE INFORMATION CONTAINED IN THIS DRAWING IS THE SOLE PROPERTY OF TEMPO PLASTIC CO., INC. ANY REPRODUCTION IN PART OR AS A WHOLE WITHOUT THE WRITTEN PERMISSION OF TEMPO PLASTIC CO., INC IS PROHIBITED.

|                                      |                      |      |           |                         |
|--------------------------------------|----------------------|------|-----------|-------------------------|
| UNLESS OTHERWISE SPECIFIED:          |                      | NAME | DATE      | TEMPO PLASTIC CO., INC. |
| DIMENSIONS ARE IN MM                 |                      | JR   | 7/23/2018 | TITLE:                  |
| FRACTIONAL ±                         |                      |      |           | TPC315                  |
| ANGULAR: MAJOR ± BEND ±              |                      |      |           | #255                    |
| TWO PLACE DECIMAL ±                  |                      |      |           | SIZE DWG. NO.           |
| THREE PLACE DECIMAL ±                |                      |      |           | D A                     |
| INTERPRET GEOMETRIC TOLERANCING PER: |                      |      |           | SCALE: 1:5 WEIGHT:      |
| MATERIAL                             |                      |      |           | SHEET 1 OF 1            |
| FINISH                               |                      |      |           |                         |
| APPLICATION                          | DO NOT SCALE DRAWING |      |           |                         |