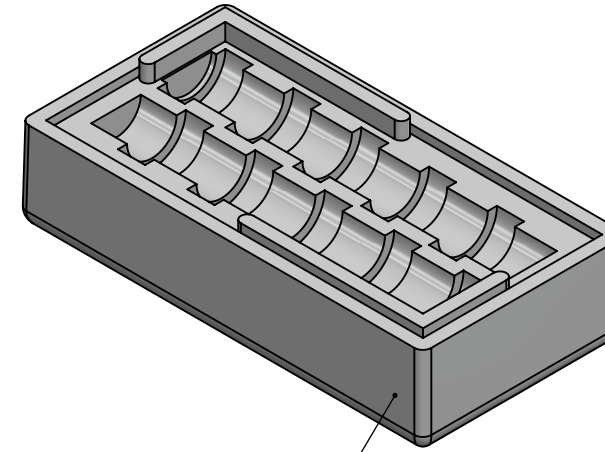
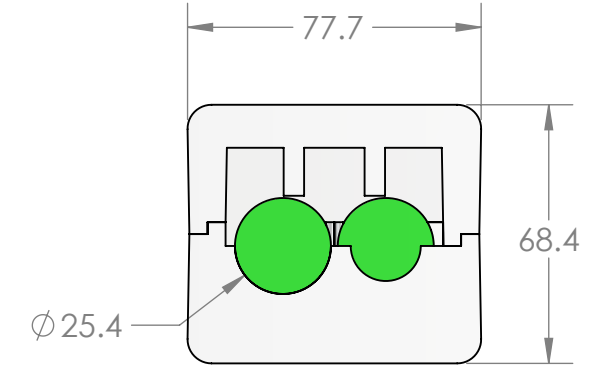


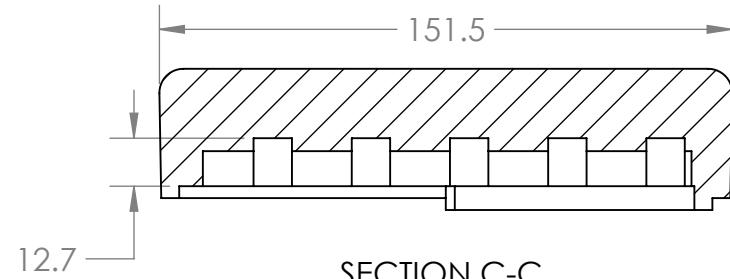
SECTION A-A
SCALE 1 : 2



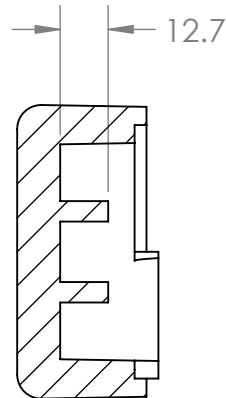
10R-1000



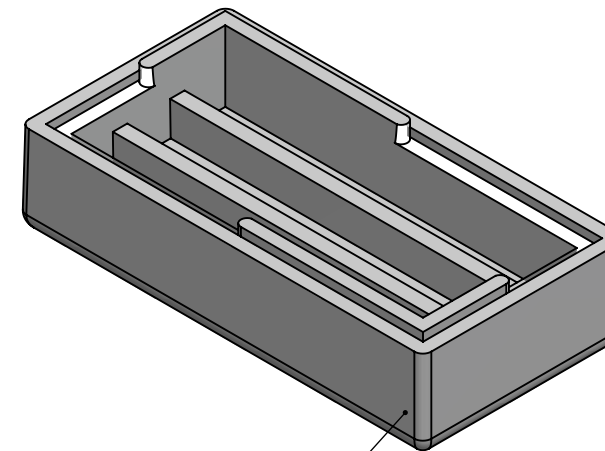
Assemble cut view



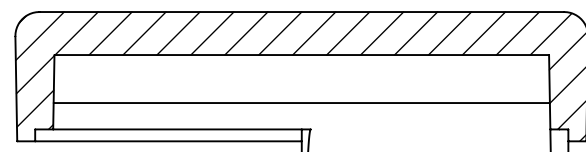
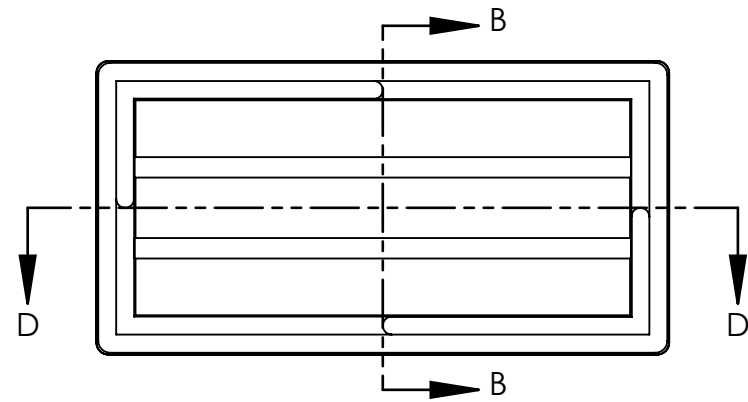
SECTION C-C
SCALE 1 : 2



SECTION B-B
SCALE 1 : 2



TPC521 Lid



SECTION D-D
SCALE 1 : 2

- Note:**
 1) Material To be 64g/l density (4.0 lb/ft³) EPS, Static Dissipative
 2) 1 Degree Draft TYP
 3) Dimensions shown are in millimeters

PROPRIETARY AND CONFIDENTIAL
 THE INFORMATION CONTAINED IN THIS DRAWING IS THE SOLE PROPERTY OF **TEMPO PLASTIC CO., INC.** ANY REPRODUCTION IN PART OR AS A WHOLE WITHOUT THE WRITTEN PERMISSION OF **TEMPO PLASTIC CO., INC.** IS PROHIBITED.

UNLESS OTHERWISE SPECIFIED:		NAME	DATE	TEMPO PLASTIC CO., INC.	
DIMENSIONS ARE IN MM		DRAWN	Junior		10/10/14
TOLERANCES:		CHECKED			
FRACTIONAL ±		ENG APPR.			
ANGULAR: MACH ± BEND ±		MFG APPR.			
TWO PLACE DECIMAL ±		Q.A.			
THREE PLACE DECIMAL ±		COMMENTS:			
INTERPRET GEOMETRIC TOLERANCING PER:				TITLE:	
MATERIAL				10R-1000	
FINISH		SIZE	DWG. NO.	REV	
NEXT ASSY	USED ON	B		A	
APPLICATION		SCALE: 1:2	WEIGHT:	SHEET 1 OF 1	
DO NOT SCALE DRAWING					