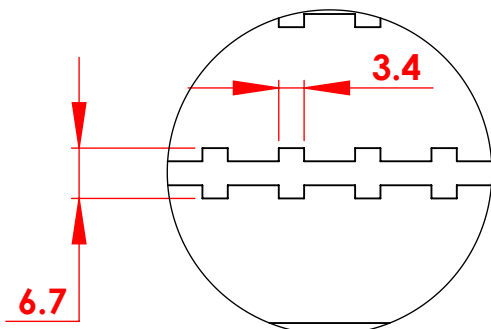
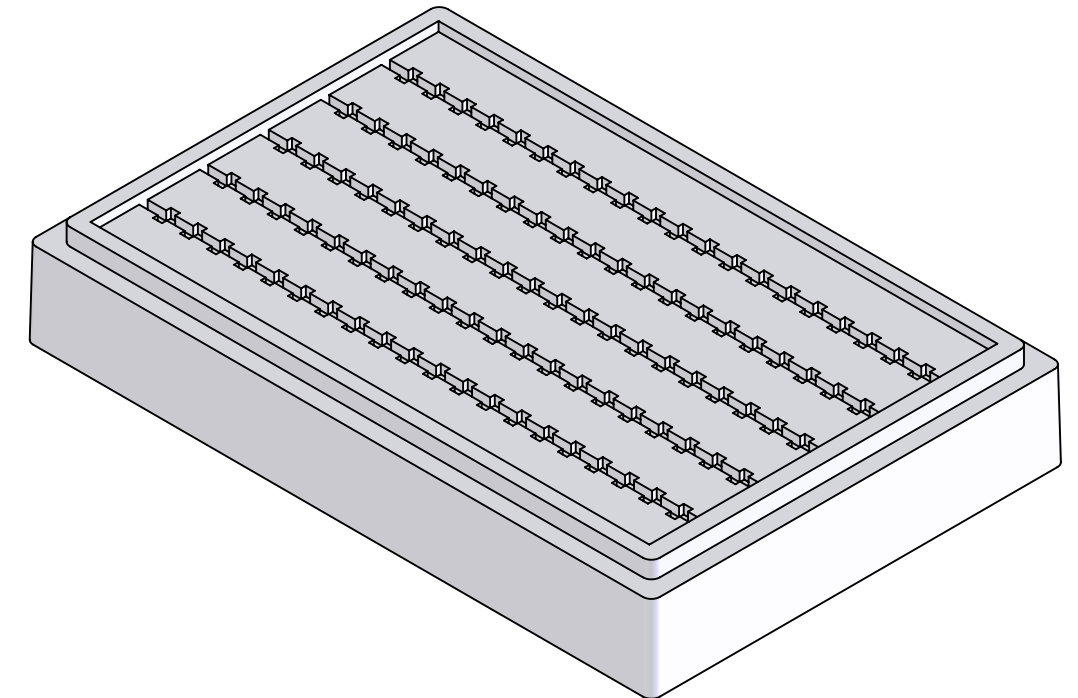
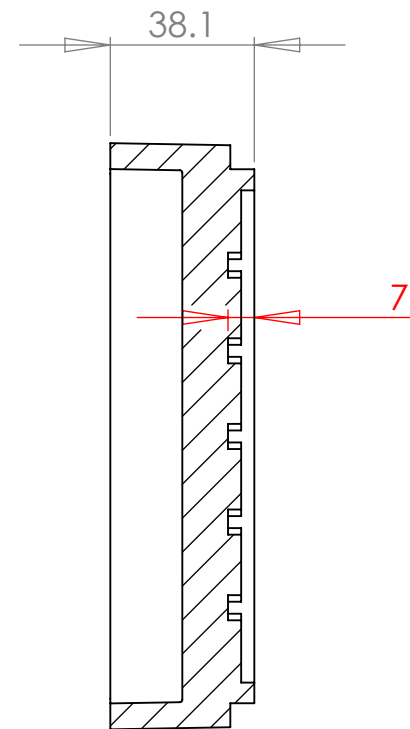
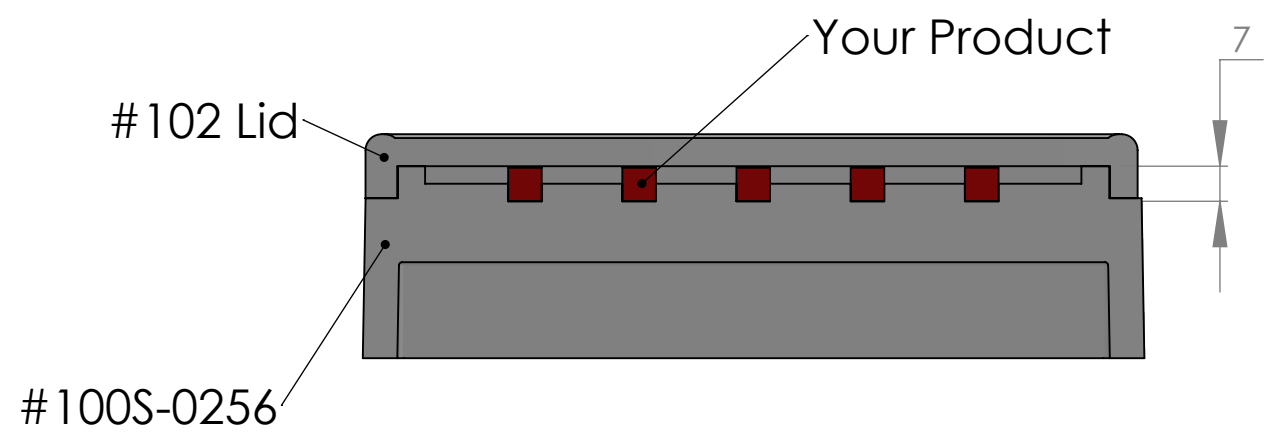


SECTION A-A



DETAIL B
SCALE 1 : 1

- Note:
- 1) Material To be 64g/l density (4.0 lb/ft3) EPS
 - 2) Static Dissipative
 - 3)



PROPRIETARY AND CONFIDENTIAL
THE INFORMATION CONTAINED IN THIS DRAWING IS THE SOLE PROPERTY OF **Tempo Plastic Co., Inc.** ANY REPRODUCTION IN PART OR AS A WHOLE WITHOUT THE WRITTEN PERMISSION OF **Tempo Plastic Co., Inc.** IS PROHIBITED.

		UNLESS OTHERWISE SPECIFIED:		NAME	DATE	Tempo Plastic Co., Inc.	
		DIMENSIONS ARE IN MM TOLERANCES: FRACTIONAL ± ANGULAR: MACH ± BEND ± TWO PLACE DECIMAL ± THREE PLACE DECIMAL ±		DRAWN	Junior		
		INTERPRET GEOMETRIC TOLERANCING PER:		CHECKED		TITLE:	
		MATERIAL		ENG APPR.		100S-0256	
		FINISH		MFG APPR.		SIZE	DWG. NO.
NEXT ASSY	USED ON	DO NOT SCALE DRAWING		Q.A.		B	
APPLICATION				COMMENTS:		SCALE: 1:2	SHEET 1 OF 1
							REV